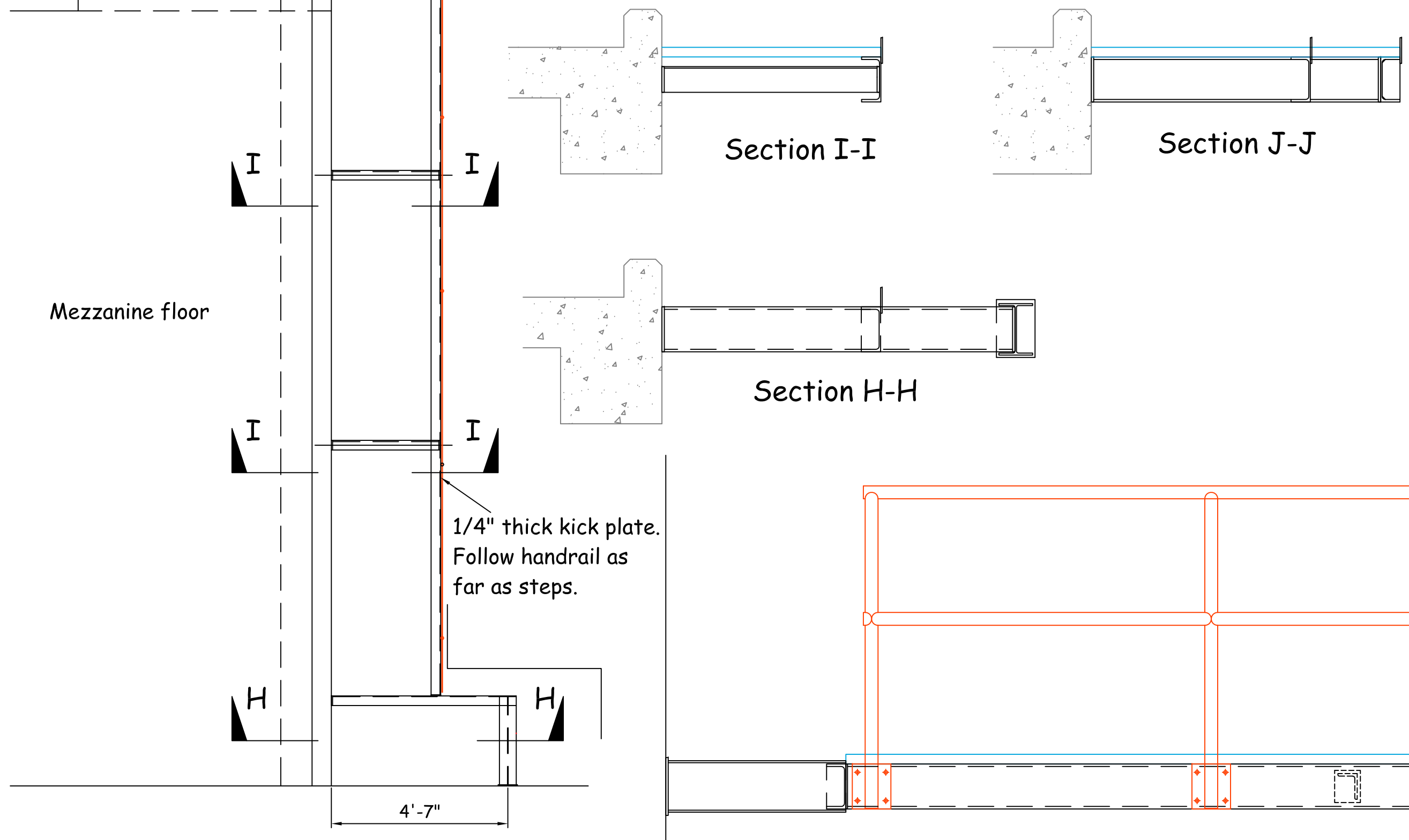
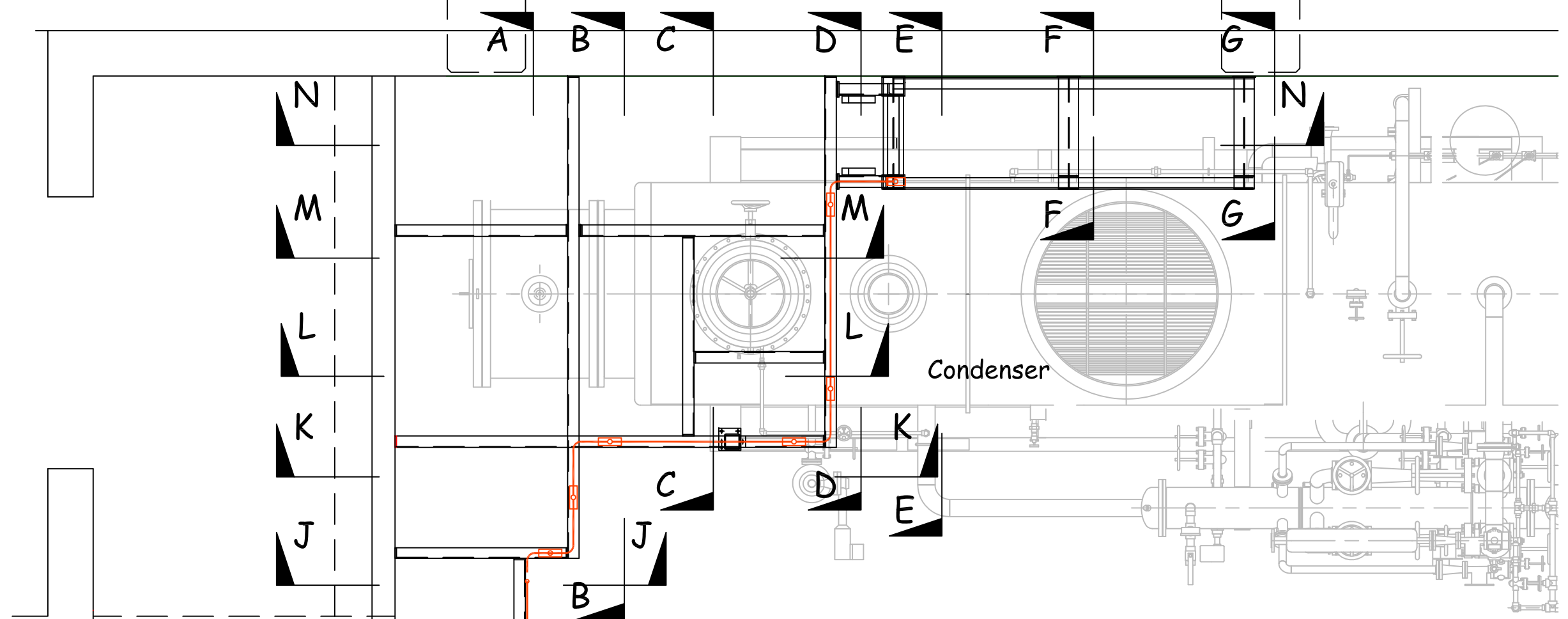
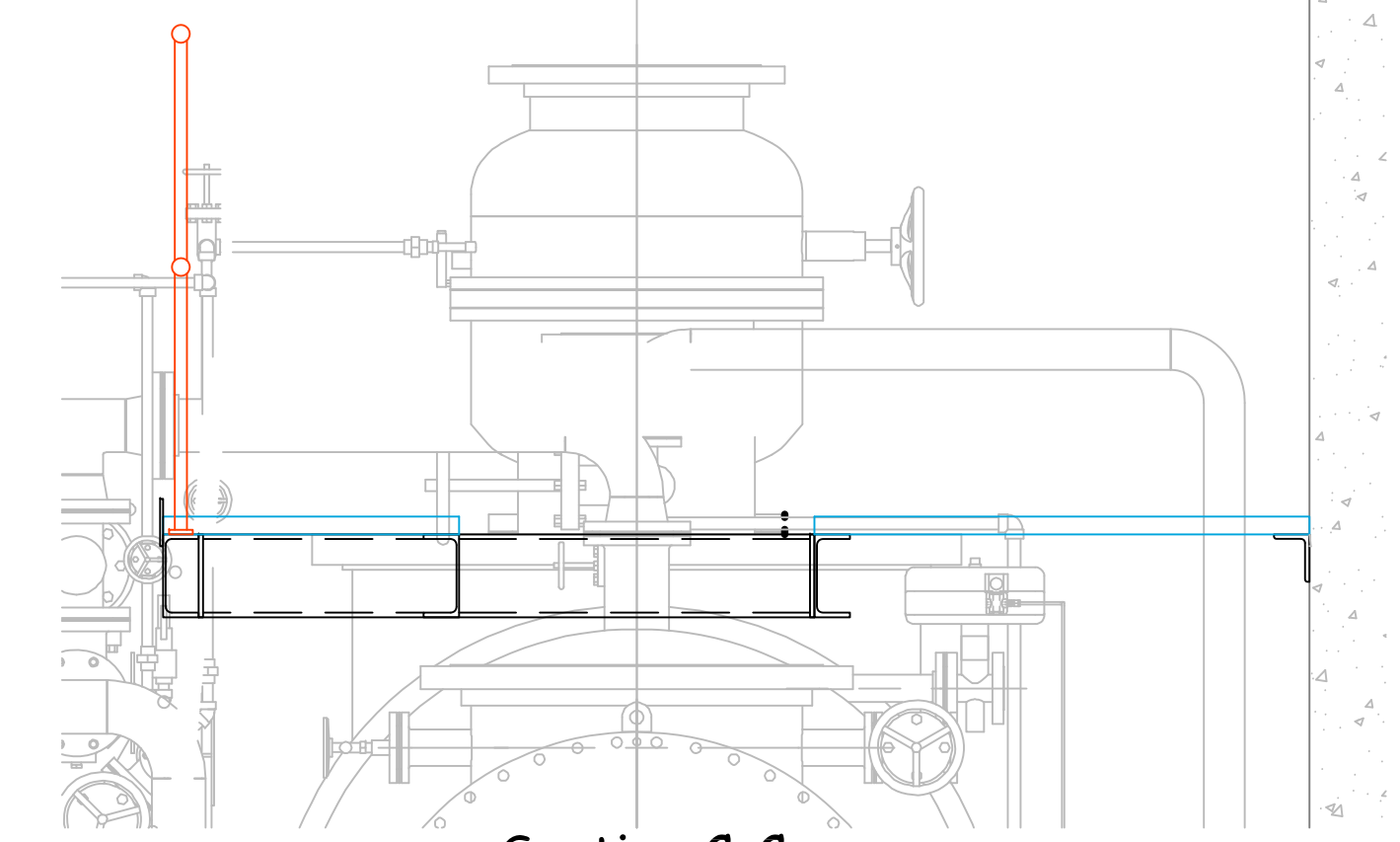


Notes.

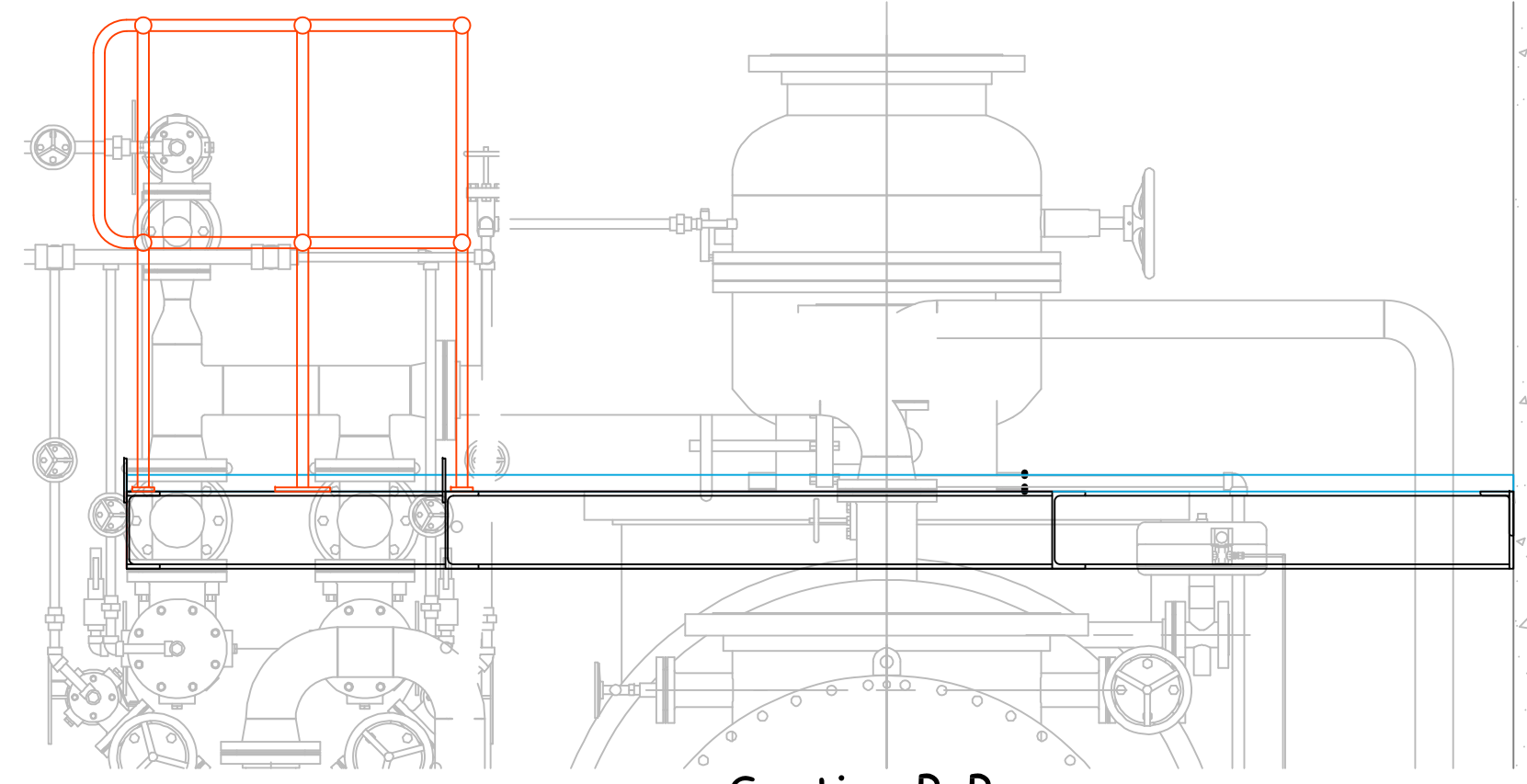
1. Refer to detail drawing 6 for dimensions



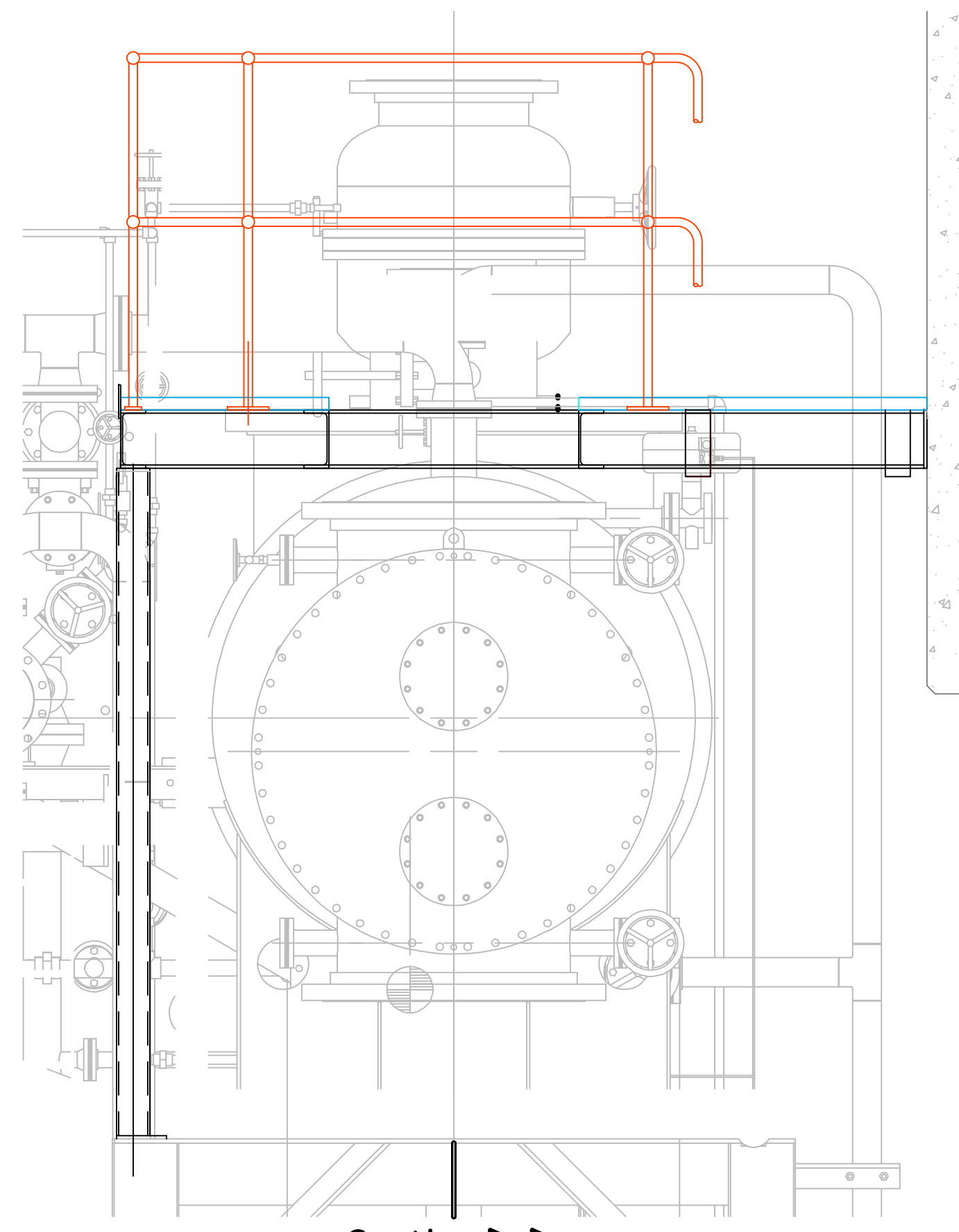
Plan on Platform 1



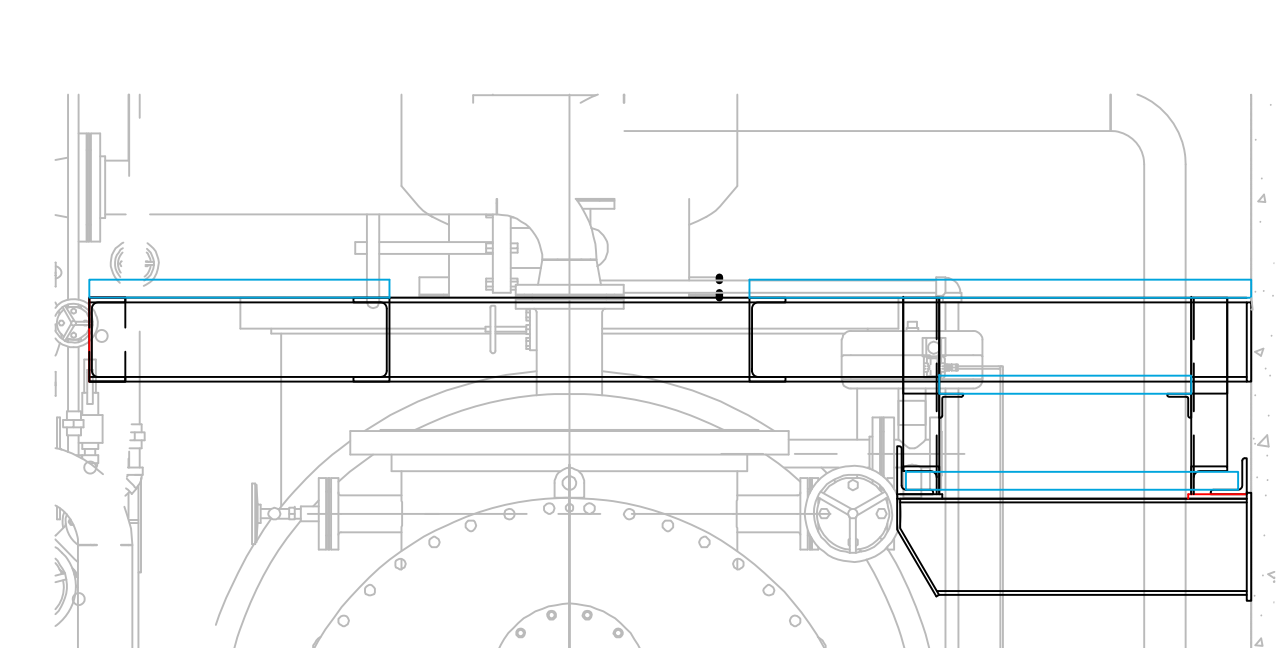
Section C-C



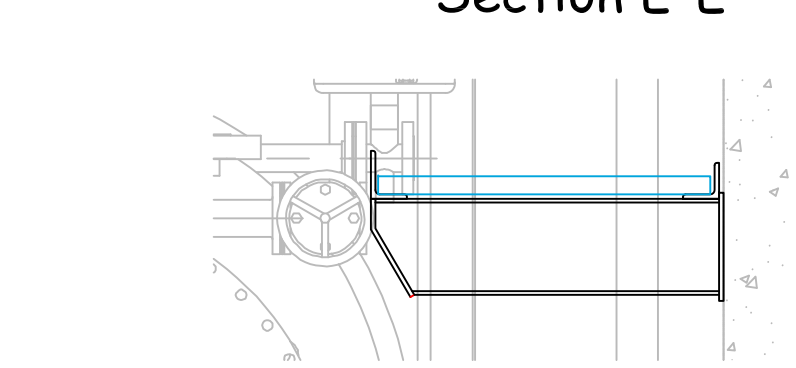
Section B-B



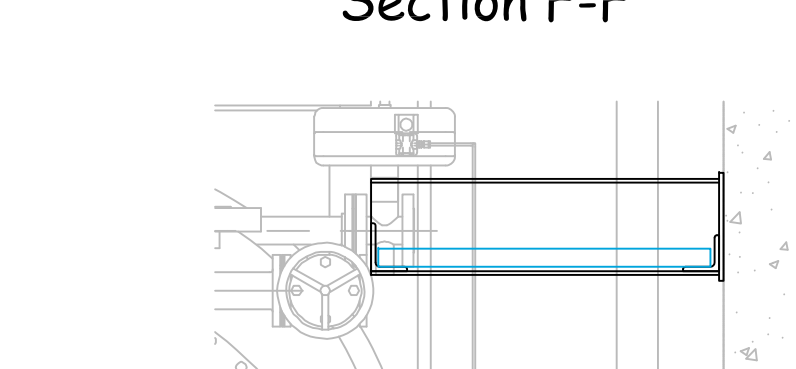
Section D-D



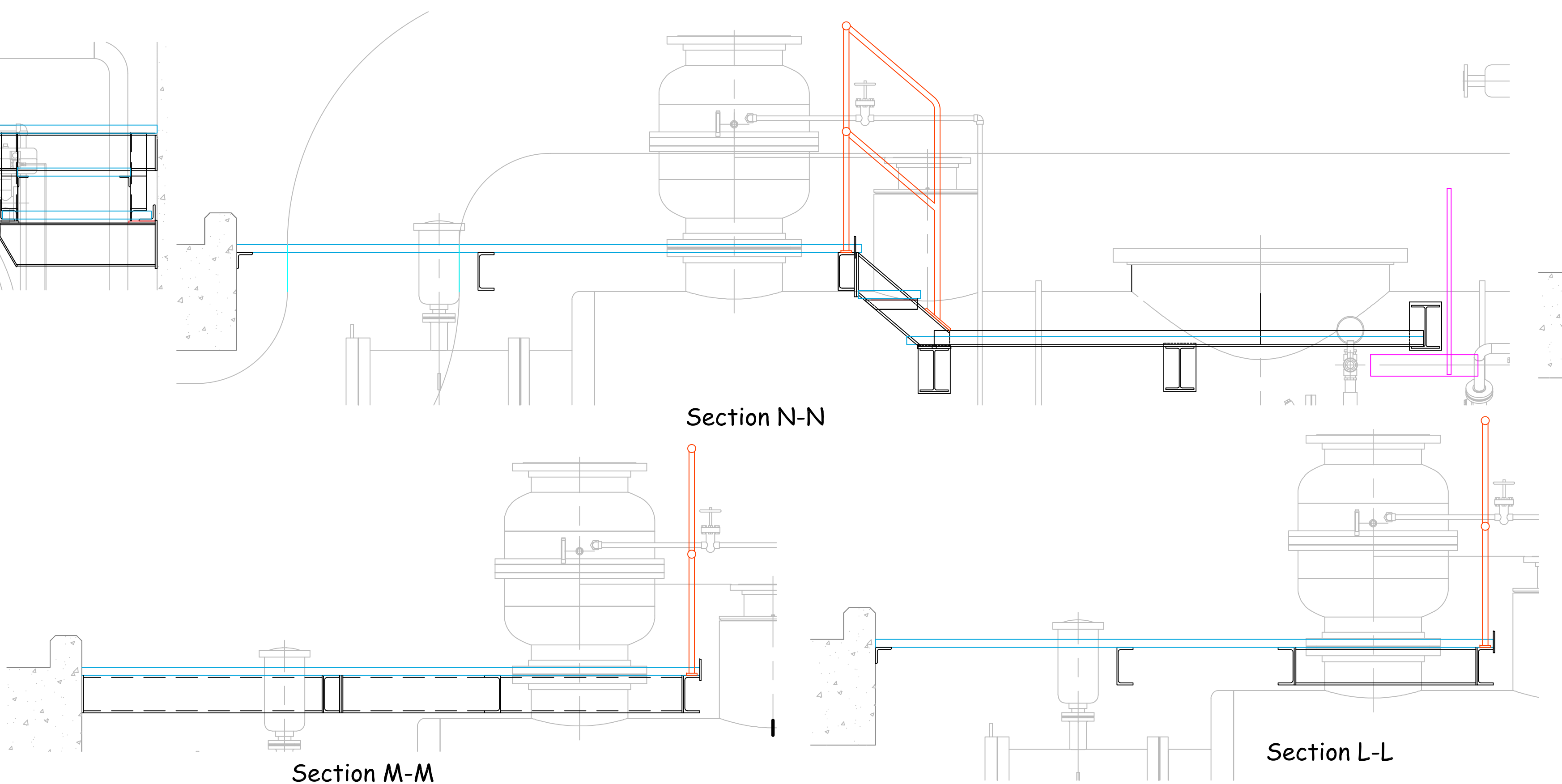
Section E-E



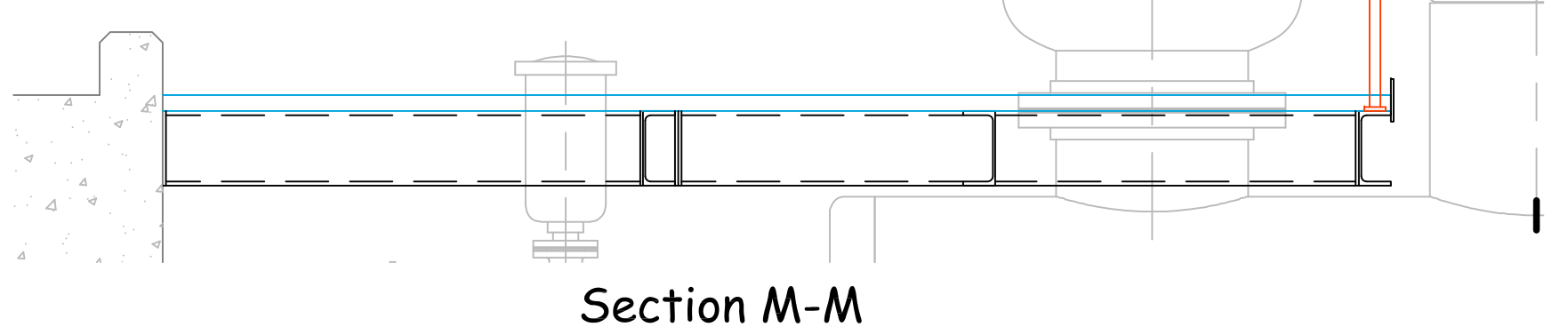
Section F-F



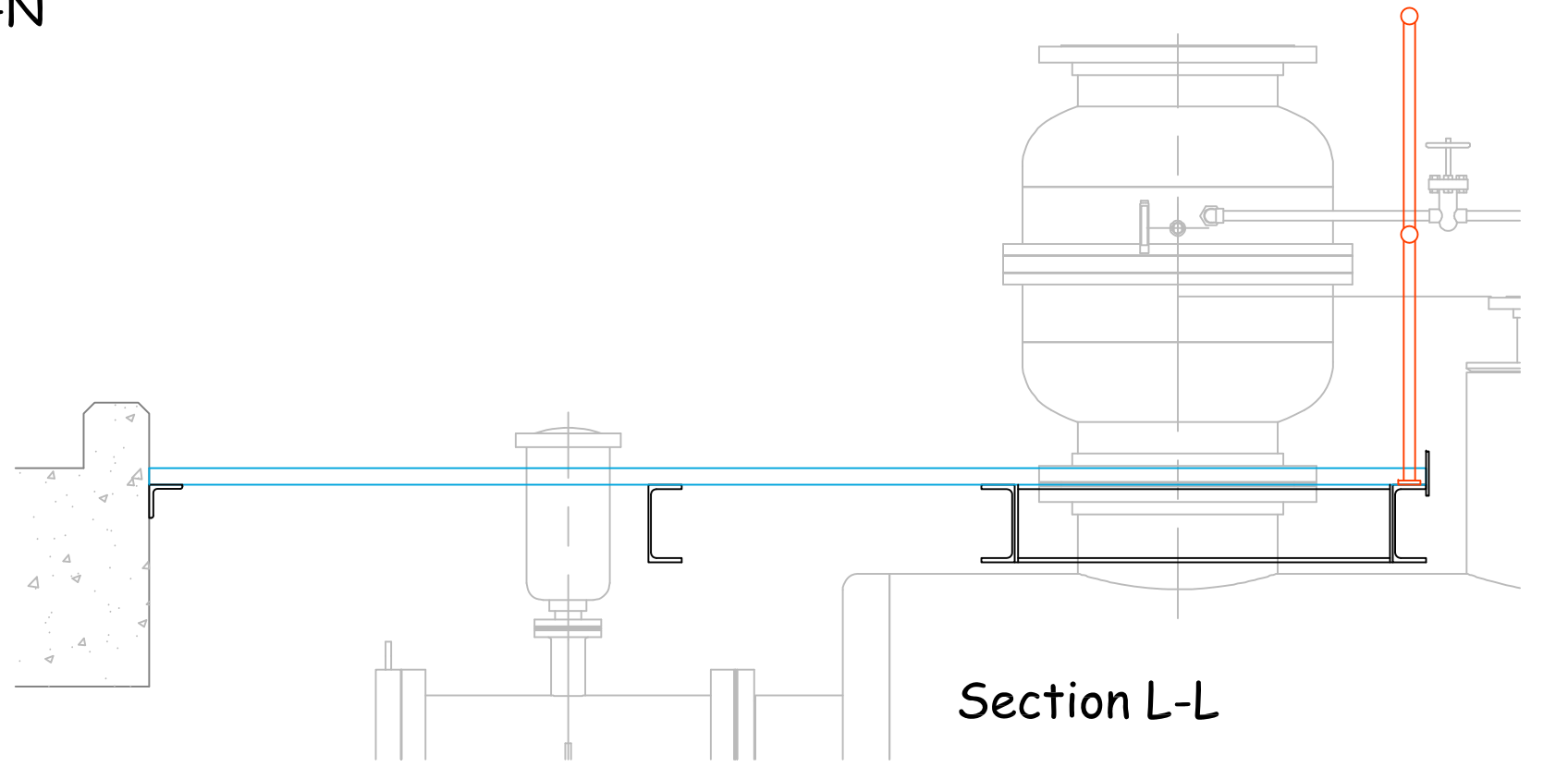
Section G-G



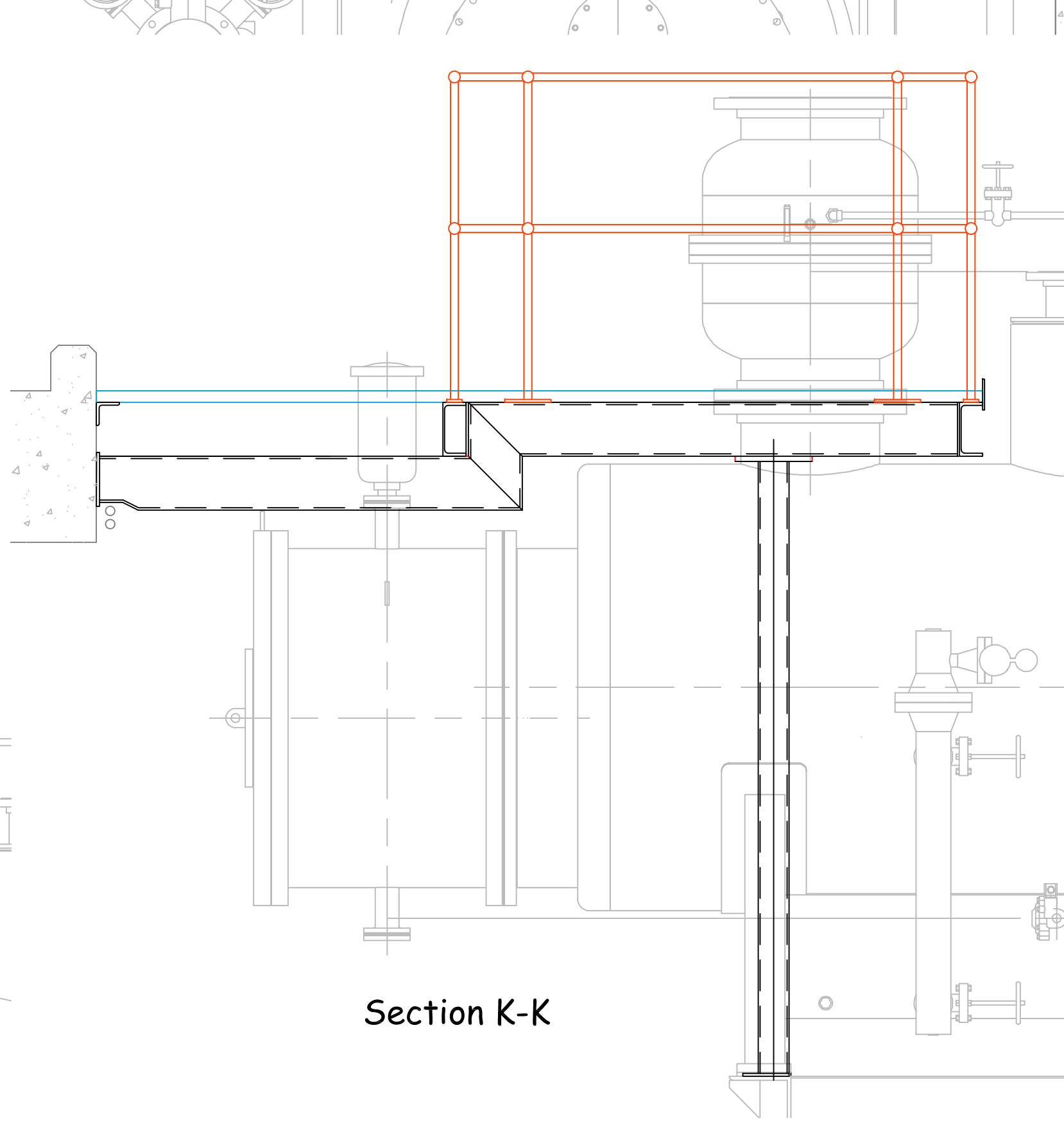
Section N-N



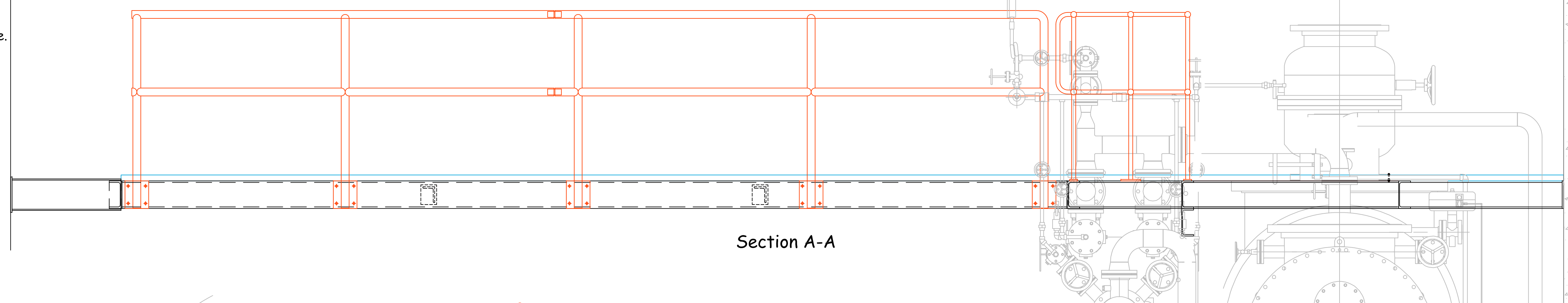
Section M-M



Section L-L



Section K-K



Section A-A

PROJECT NUMBER:  
31-355

PROJECT NAME:  
**TYNES BAY WTE FACILITY  
EXPANSION**  
New Turbine Building  
TYNES BAY  
31 PALMETTO ROAD  
DEVONSHIRE

SHEET TITLE:  
**ACCESS PLATFORMS**  
Platform 1 - General Arrangement

SHEET NUMBER:

**STGP - 2** Rev - 0