

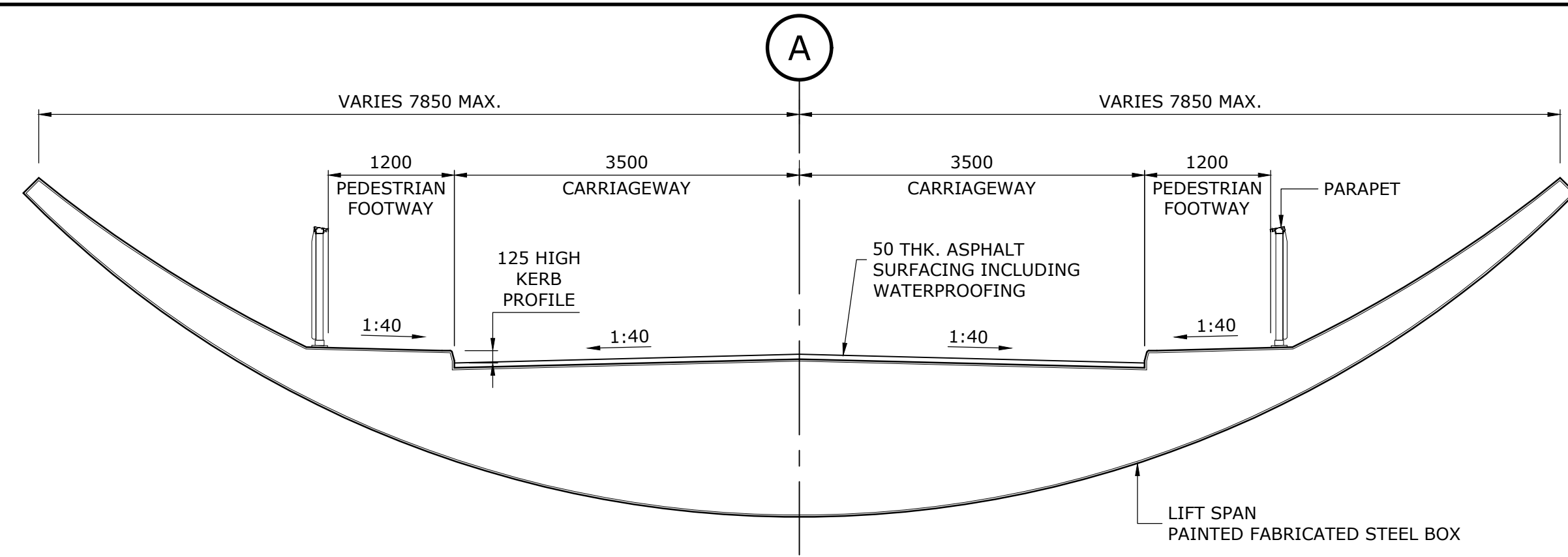


GOVERNMENT OF BERMUDA
Ministry of Public Works and Environment

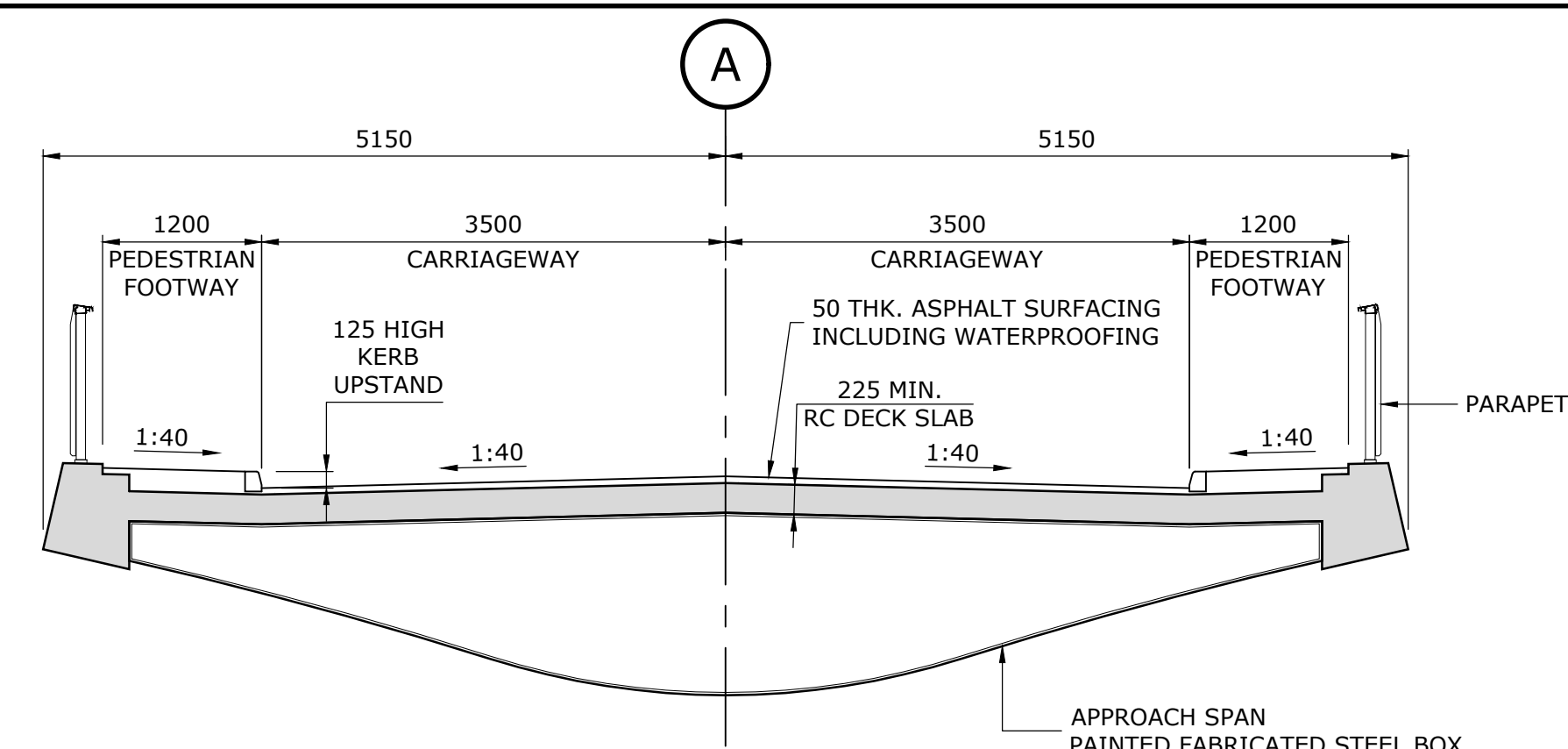
Annex G

Swing Bridge Replacement 2026

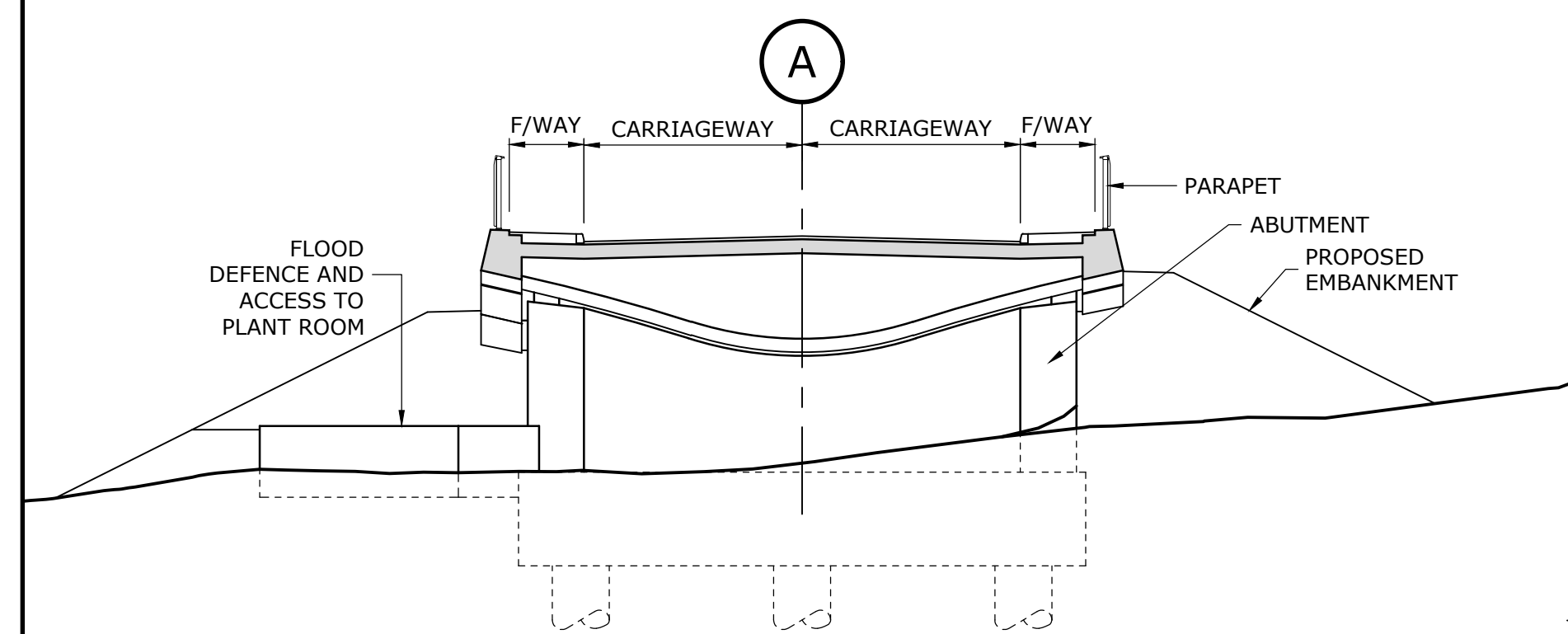
Reference Drawings



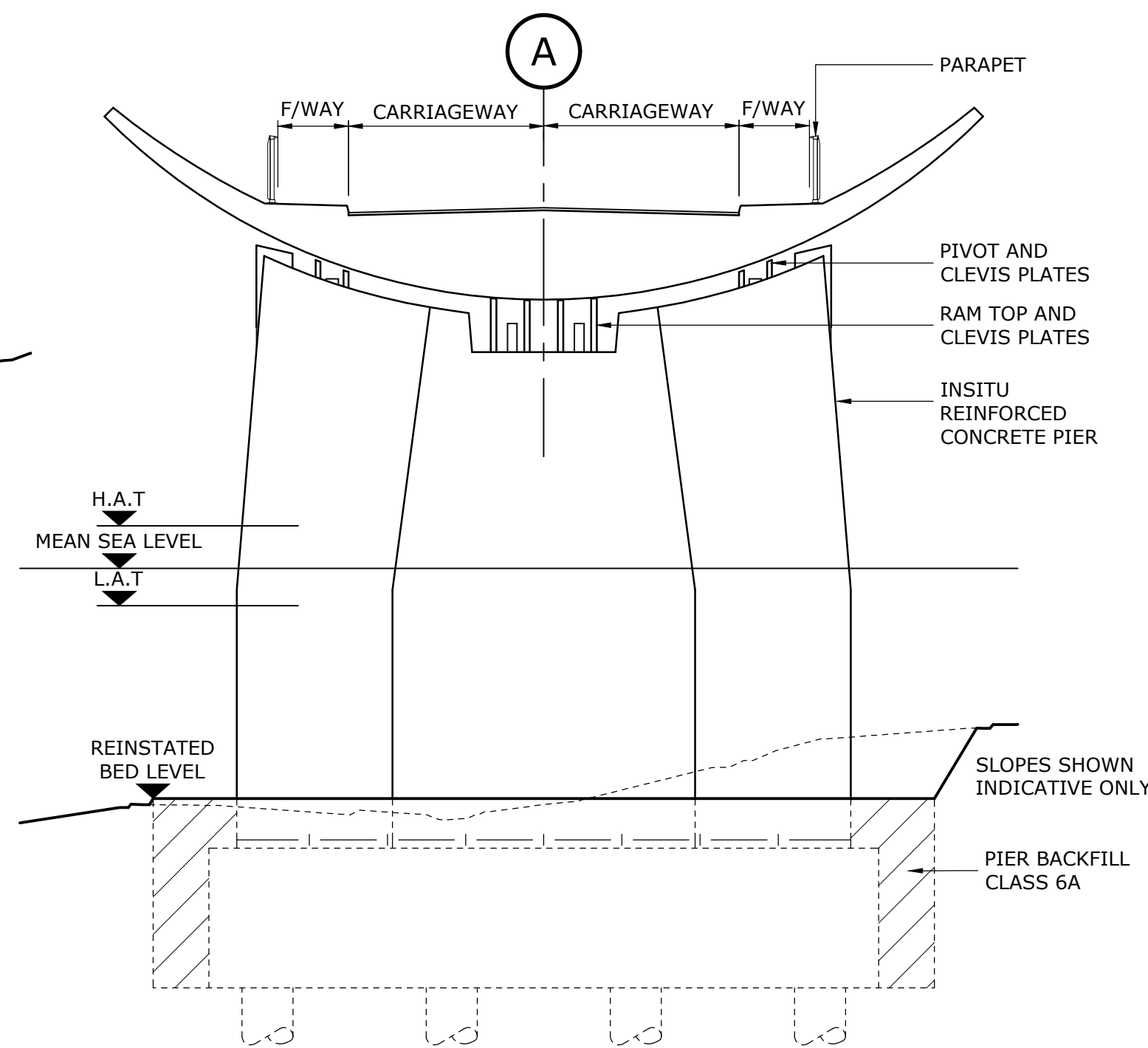
SECTION C-C
1:50
LIFT SPAN TYPICAL SECTION



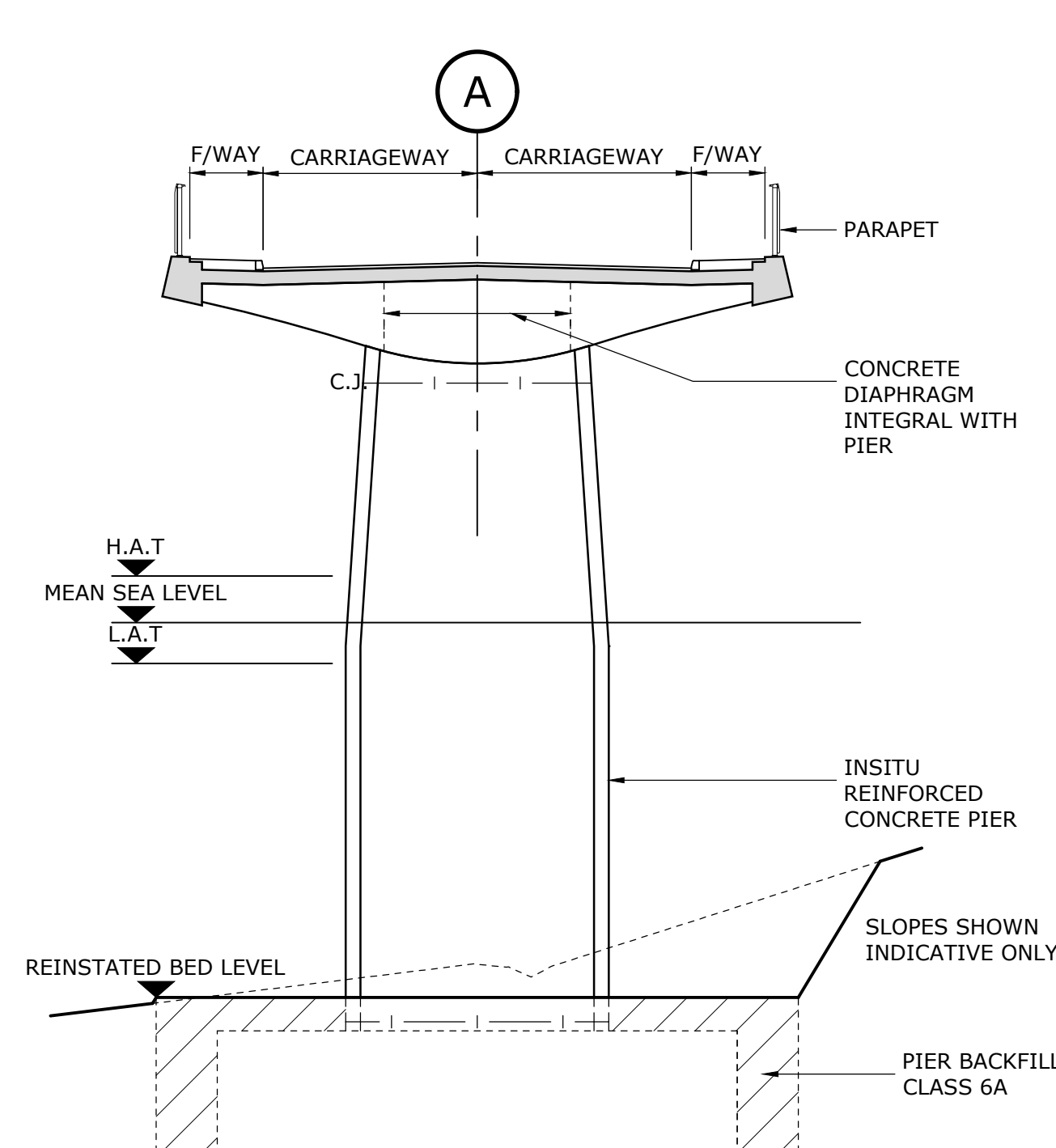
SECTION D-D
1:50
APPROACH SPAN TYPICAL SECTION



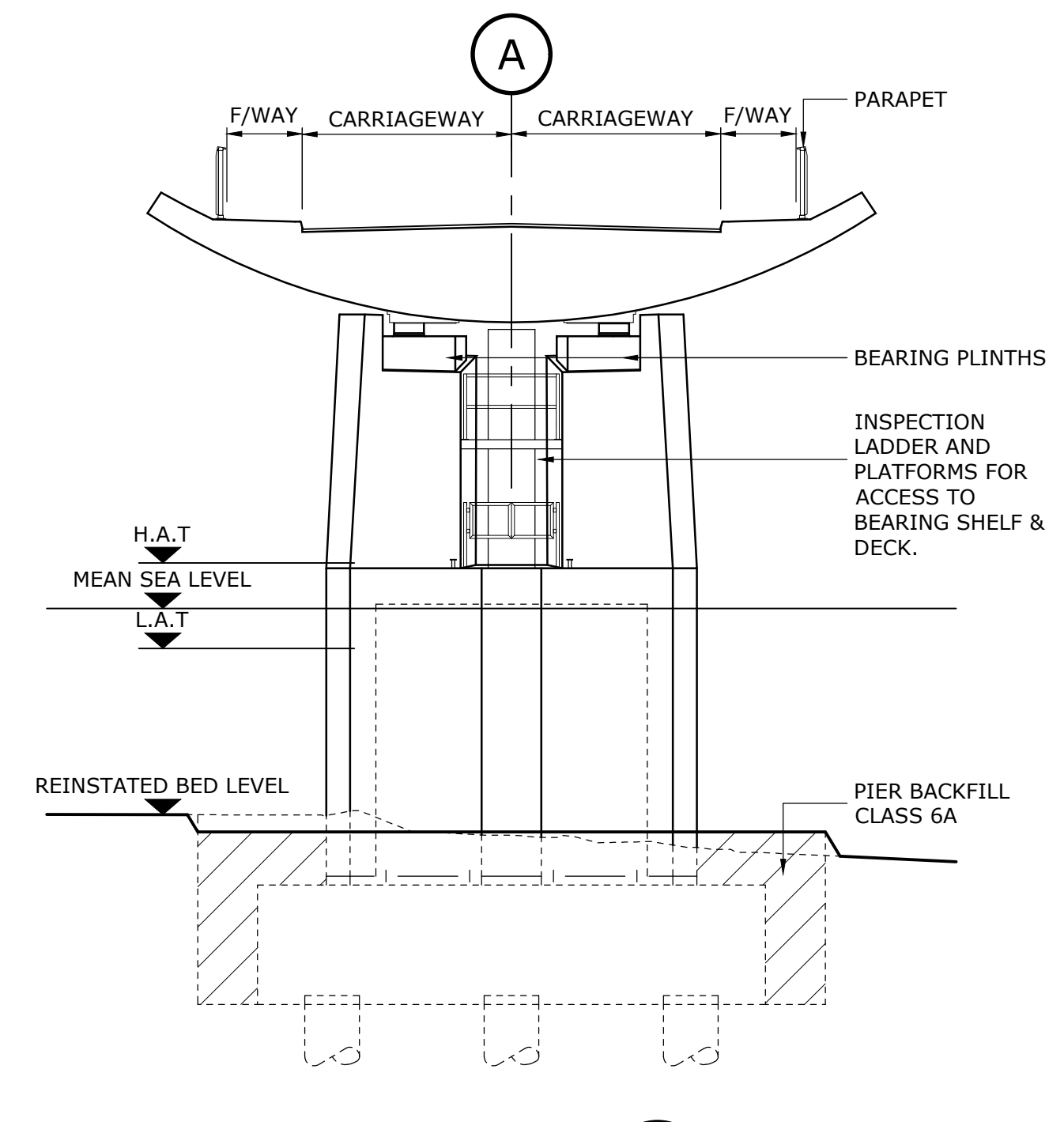
ELEVATION E-E
1:100
SOUTH ABUTMENT (A1)



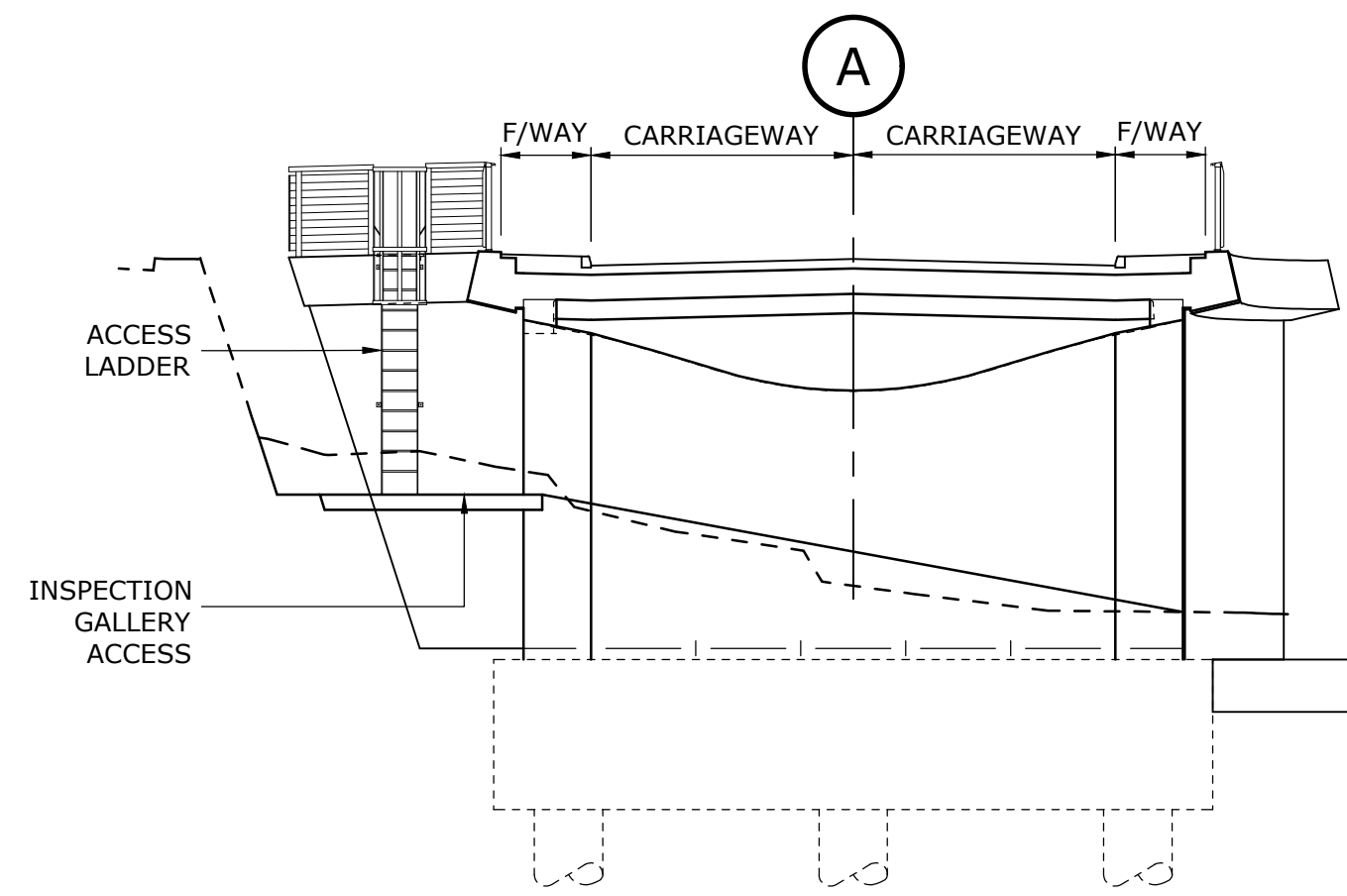
ELEVATION G-G
1:100
MAIN PIER (P4)



ELEVATION H-H
1:100
APPROACH PIER (P3)
(APPROACH PIERS P2, P6 & P7 SIMILAR)



ELEVATION I-I
1:100
LANDING PIER (P5)



ELEVATION F-F
1:100
NORTH ABUTMENT (A8)

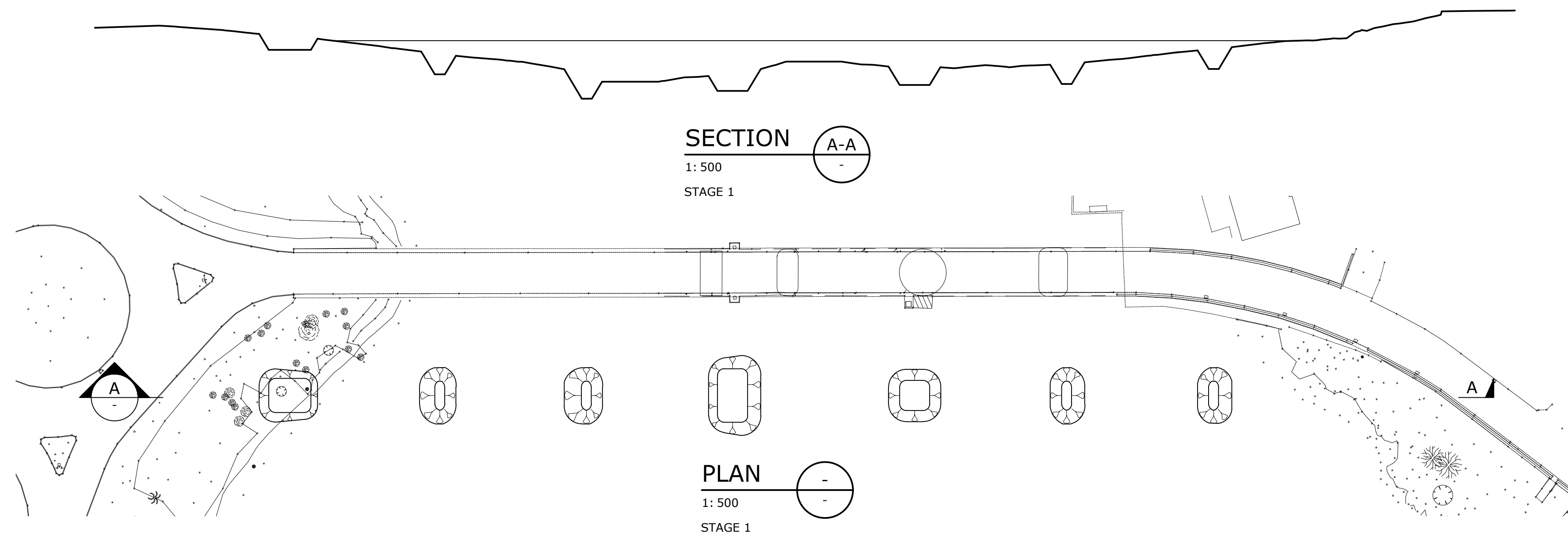
NOTES
1. FOR NOTES REFER TO DRAWING:
3502-RAM-SB-XX-DR-CB-30111.



Project Title:
REPLACEMENT OF SWING BRIDGE AND LONGBIRD BRIDGE, BERMUDA

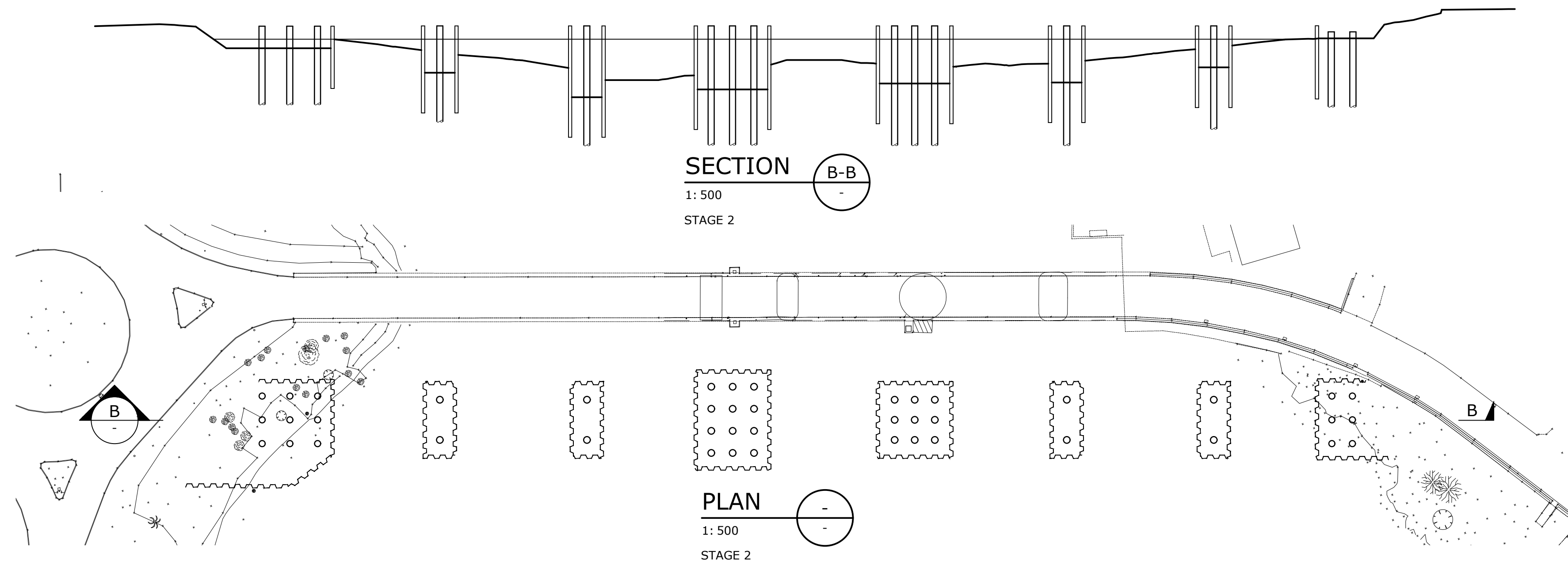
Drawing Title:
SWING BRIDGE REPLACEMENT GENERAL ARRANGEMENT SHEET 3

T01	ISSUE FOR TENDER	12.09.25	CAB	SPT
Rev	Description	Date	By	App
Status: ISSUE FOR TENDER				
Drawn:	Date:	Scale (at A1):		
M.Cooper	APR.2019	AS SHOWN		
Drawing No.:	Rev:			
3502-RAM-SB-XX-DR-CB-30103	T01			



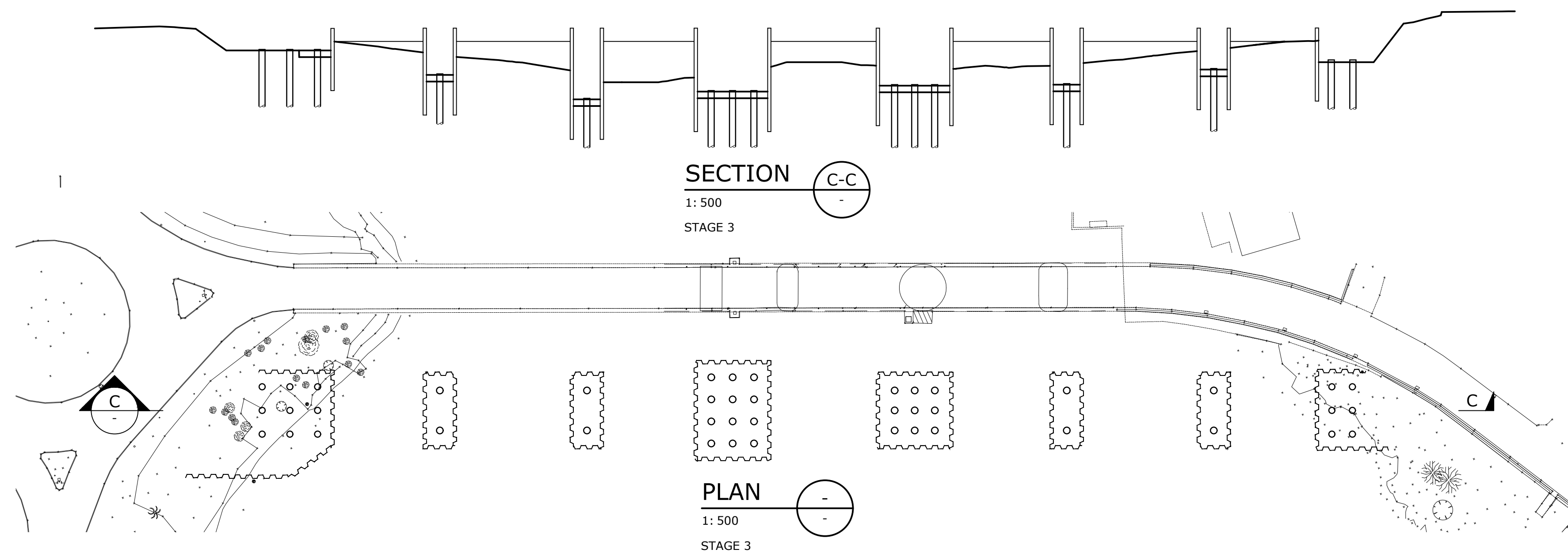
STAGE 1

- SET UP SITE COMPOUND.
- ESTABLISH NEW NAVIGATION CHANNEL.
- PRE-EXCAVATION FOR PIERS.
- EXCAVATE TRENCH INSTALL POWER & CONTROL CABLES. REFER TO 3502-RAM-SB-XX-DR-ME-36001.
- DRIVE TEST PILES.



STAGE 2

- DRIVE PERMANENT WORKS PILES TO REQUIRED DEPTH.
- FOR PILES AT P2 AND P3, DRILL OUT BASALT ROCK SOCKET TO 300MM BELOW DESIGNATED TOE LEVEL. DRIVE PILES TO DESIGNATED TOE LEVEL. PUMP WATER FROM INSIDE OF PILE TUBE TO REMOVE ALL STANDING WATER FROM THE PILE BORE OR DEMONSTRATE THAT THERE IS FREE FLOW OF WATER AROUND THE OUTSIDE OF THE PILE. BACKFILL BASALT ROCK SOCKET WITH 35N/MM² SAND GROUT VIA PIPE FED THROUGH CENTRE OF PILE, ALLOW AT LEAST THREE DAYS FOR GROUT TO CURE BEFORE CARRYING OUT WORKS AT THE TOP OF THE PILES.
- CONSTRUCT TEMPORARY COFFERDAMS.



STAGE 3

- EXCAVATE COFFERDAMS AND INSTALL PILE ISOLATION SLEEVES TO P2, P3, P6 & P7 ONLY.
- PLUG COFFERDAM BASES.
- DE-WATER COFFERDAM.
- CUT PILES TO REQUIRED LEVEL.
- GROUND LEVEL INSTALLATION OF LIGHTNING PROTECTION.

NOTES

1. FOR NOTES REFER TO DRAWING: 3502-RAM-SB-XX-DR-CB-30111.
2. FOR GENERAL ARRANGEMENT OF MECHANICAL COMPONENTS REFER TO DRAWINGS: 3502-RAM-SB-XX-ME-30001 TO 30005.
3. FOR ELECTRICAL AND HYDRAULIC ROUTING AND EQUIPMENT POSITION REFER TO DRAWING: 3502-RAM-SB-XX-ME-36001.
4. FOR CCTV REFER TO DRAWING: 3502-RAM-SB-XX-ME-36101.
5. FOR HPU AND ELECTRICAL SUPPLIES REFER TO DRAWINGS: 3502-RAM-SB-XX-ME-36201 & 36202.
6. FOR LIGHTNING PROTECTION REFER TO DRAWING: 3502-RAM-SB-XX-ME-47001.
7. FOR ARCHITECTURAL FINISHES REFER TO DRAWINGS: 3502-RAM-SB-XX-A-39101 TO 39603.

T01	ISSUE FOR TENDER	12.09.25	CAB	SPT
Rev	Description	Date	By	App
			JFRW	
Status: ISSUE FOR TENDER				

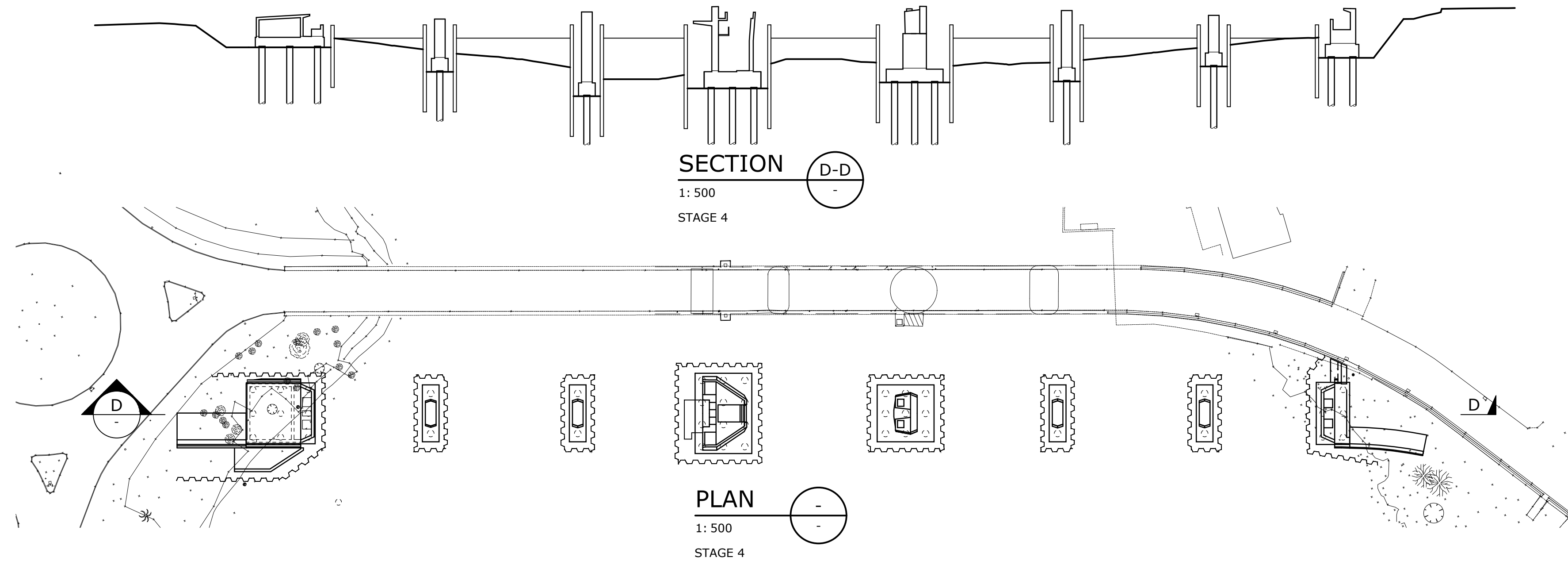


Project Title: REPLACEMENT OF SWING BRIDGE AND LONGBIRD BRIDGE, BERMUDA

Drawing Title: SWING BRIDGE REPLACEMENT CONSTRUCTION SEQUENCE SHEET 1

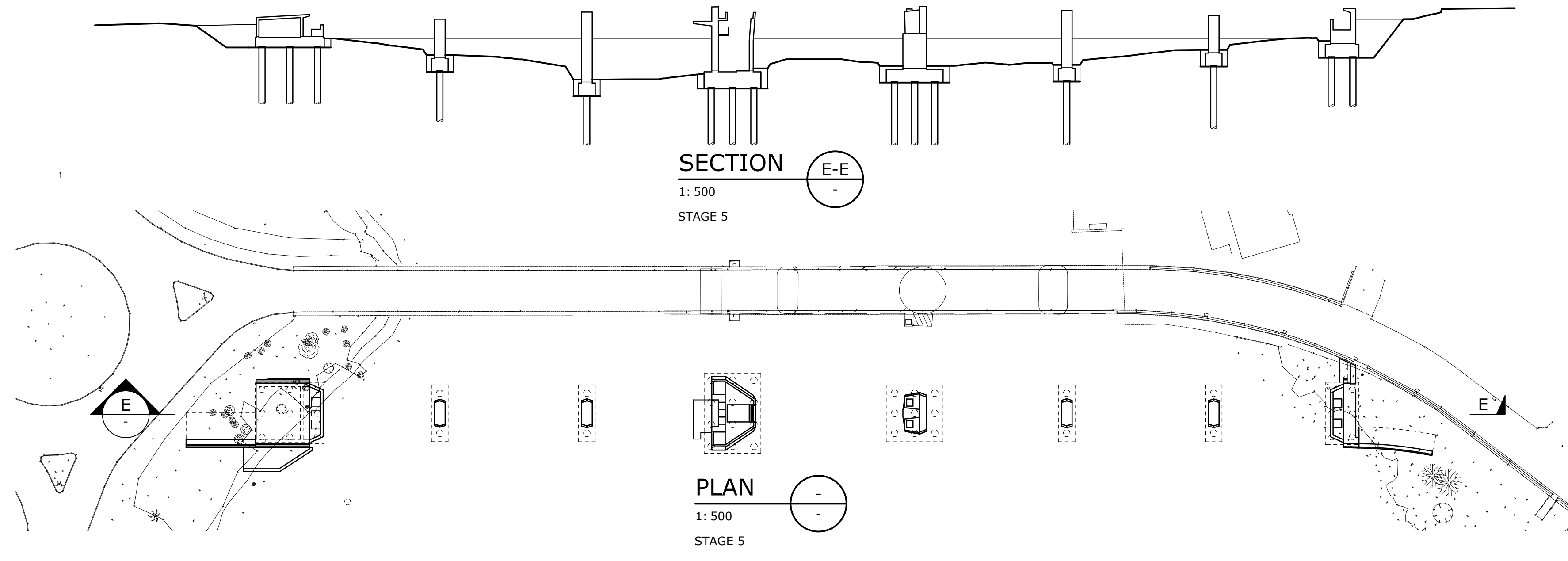
3502-RAM-SB-XX-DR-CB-30201

Drawn:	Date:	Scale (at A1):
M.Cooper	APR.2019	AS SHOWN
Drawing No.:	Rev:	
3502-RAM-SB-XX-DR-CB-30201	T01	

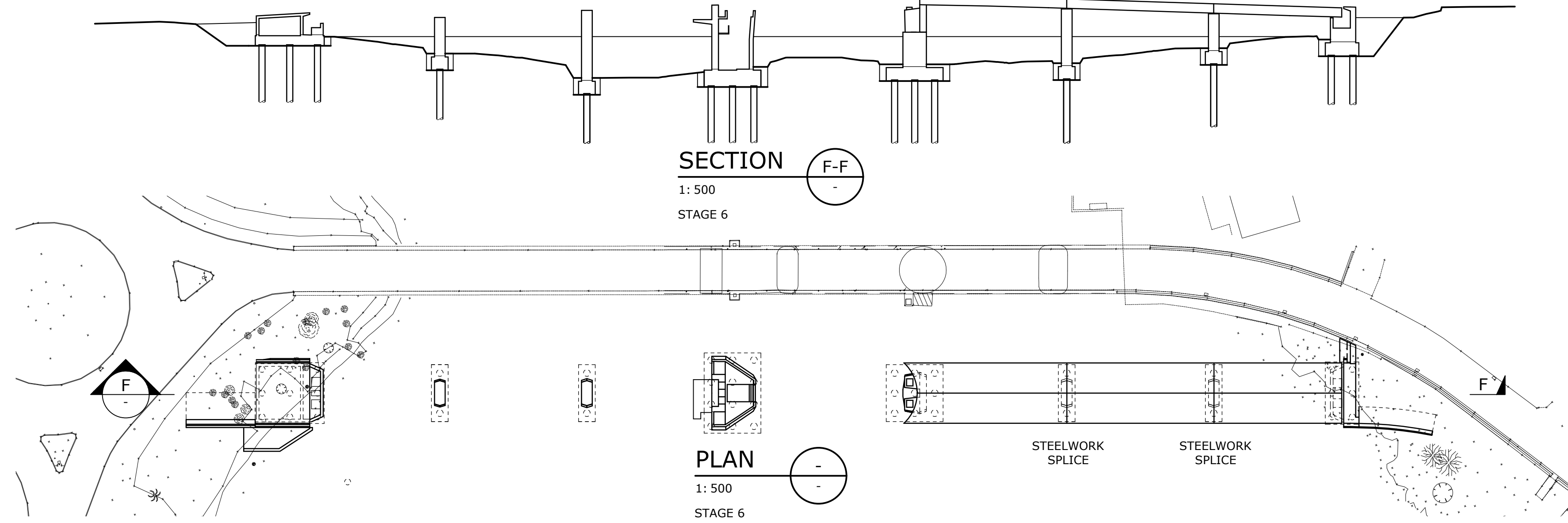


- STAGE 4**
- CONSTRUCT PILE PLUGS AND PILE CAPS.
 - COMPLETE INSTALLATION OF LIGHTNING PROTECTION SYSTEM @ PILE CAP LEVEL.
 - CONSTRUCT PIERS, ABUTMENTS & RETAINING WALLS. PIERS SHALL BE CONSTRUCTED TO APPROPRIATE LEVEL SO THAT TEMPORARY JACKS CAN BE INSTALLED.
 - INSTALL LIGHTNING PROTECTION MEASURES.

NOTES
1. FOR NOTES REFER TO DRAWING:
3502-RAM-SB-XX-DR-CB-30111



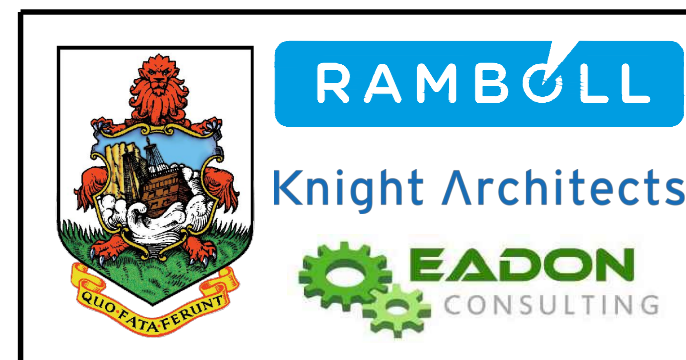
- STAGE 5**
- REMOVE TEMPORARY COFFERDAMS.
 - REINSTATE SEA BED ABOVE PILE CAPS.
 - INSTALL M&E EQUIPMENT IN SOUTH ABUTMENT PLANT ROOM.
 - INSTALL ARCHITECTURAL & SAFETY FINISHES AT SOUTH ABUTMENT.
 - BACKFILL ABUTMENTS & NORTH RETAINING WALL.



- STAGE 6**
- INSTALL BEARINGS AT NORTH ABUTMENT.
 - INSTALL TEMPORARY JACKS AT THE TOP OF PIERS P5, P6, AND P7.
 - ERECT NORTH APPROACH STEELWORK SPANS & WELD THEM TOGETHER.
 - INSTALL M & E SERVICES IN NORTH ABUTMENT.
 - INSTALL ARCHITECTURAL & SAFETY FINISHES @ NORTH ABUTMENT.
 - INSTALL LIGHTNING PROTECTION MEASURES.

T01	ISSUE FOR TENDER	12.09.25	CAB	SPT
Rev	Description	Date	By	App
			JFRW	

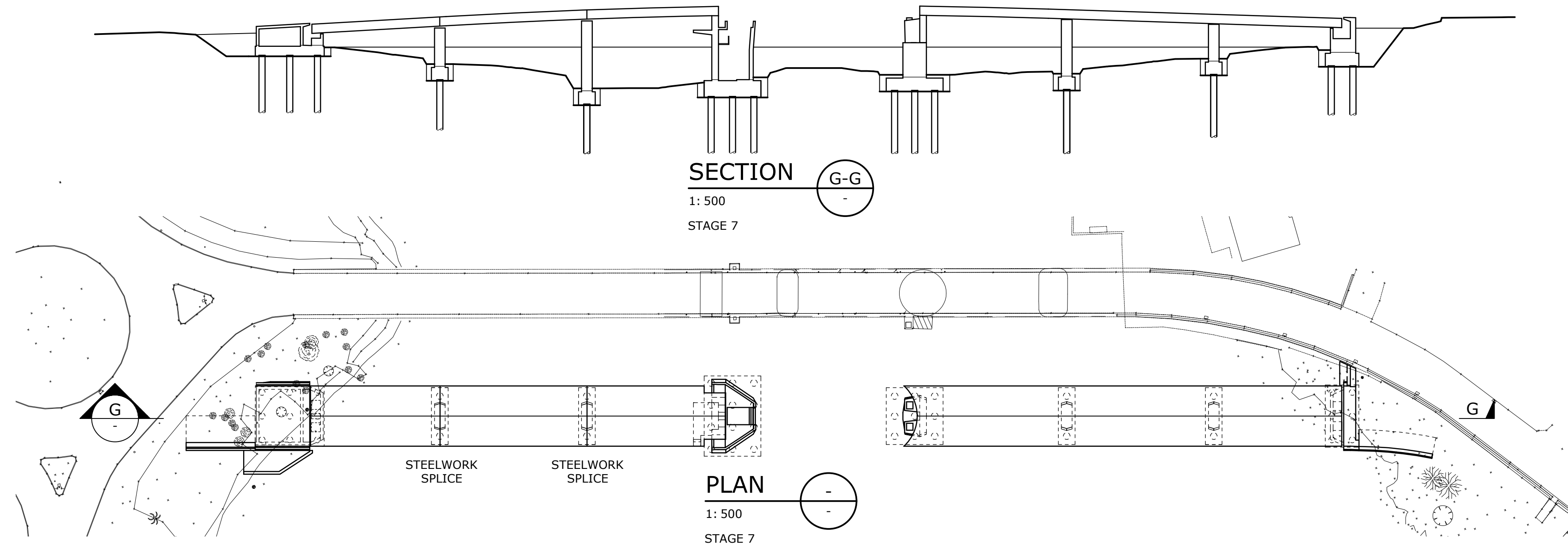
Project Title: REPLACEMENT OF SWING BRIDGE AND LONGBIRD BRIDGE, BERMUDA				
Status: ISSUE FOR TENDER				
Drawn:	Date:	Scale (at A1):		
M.Cooper	APR.2019	AS SHOWN		
Drawing No.:	Rev:			
3502-RAM-SB-XX-DR-CB-30202	T01			



Project Title: REPLACEMENT OF SWING BRIDGE AND LONGBIRD BRIDGE, BERMUDA
Drawing Title: SWING BRIDGE REPLACEMENT CONSTRUCTION SEQUENCE SHEET 2

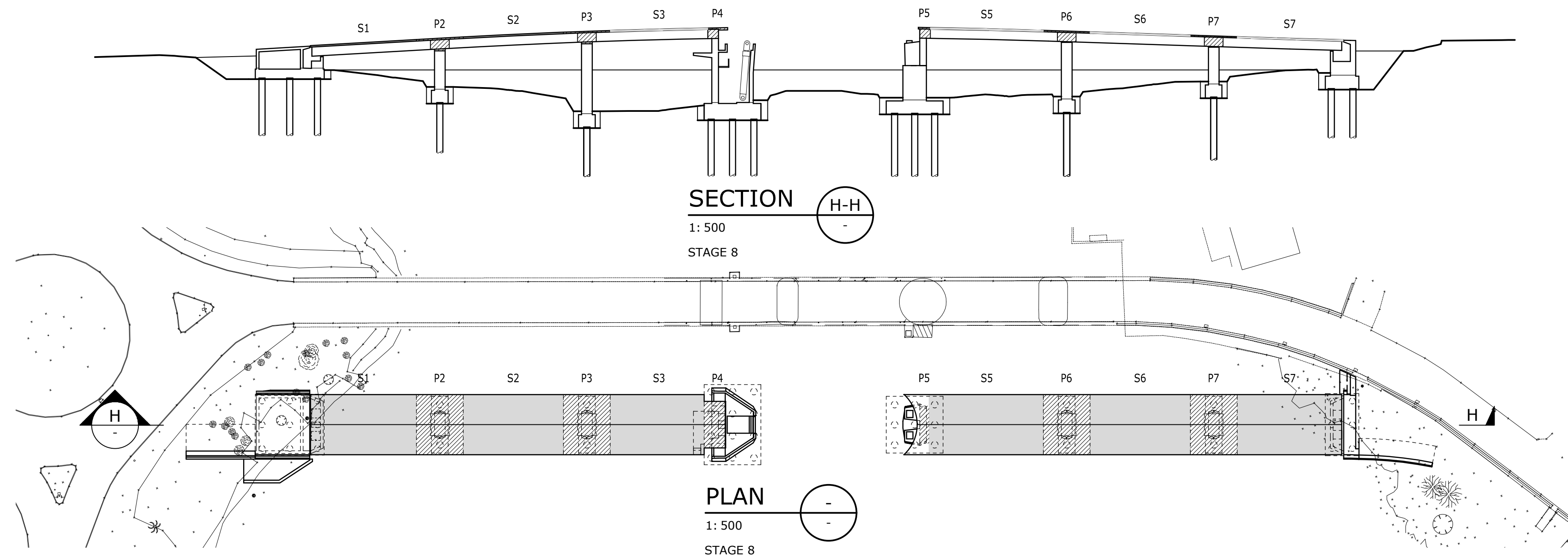
NOTES

1. FOR NOTES REFER TO DRAWING:
3502-RAM-SB-XX-DR-CB-30111



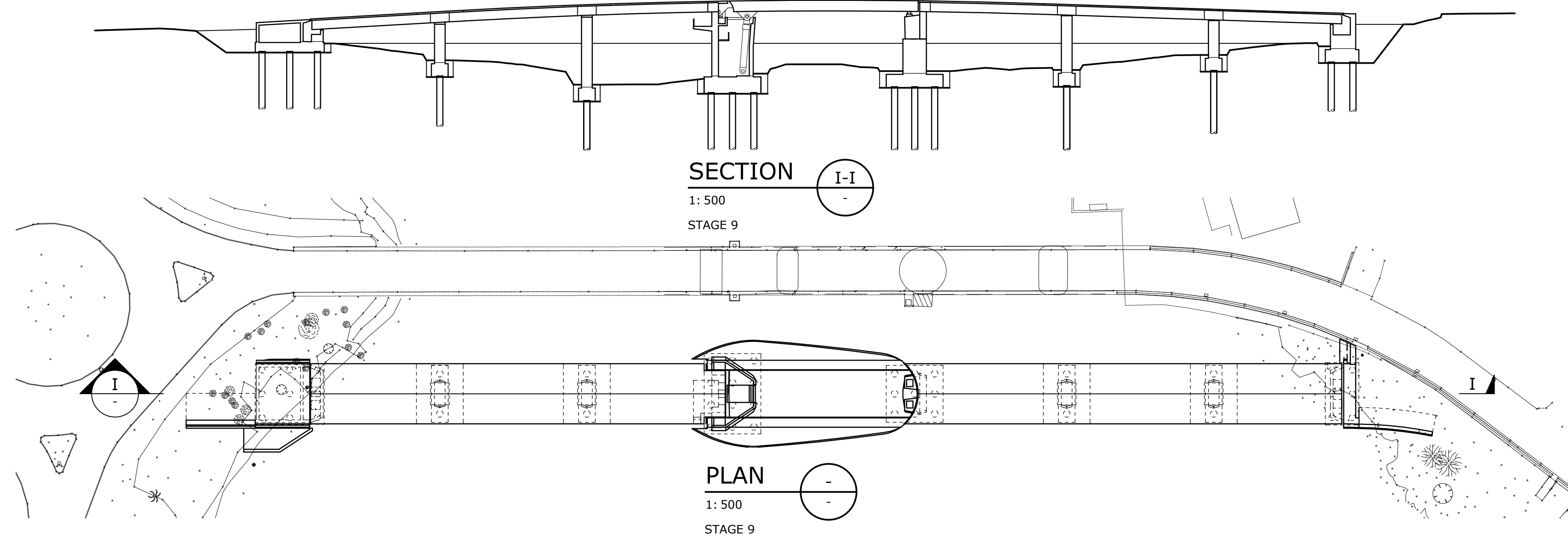
STAGE 7

- INSTALL BEARINGS AT SOUTH ABUTMENT.
- INSTALL TEMPORARY JACKS AT PIERS P2, P3 AND P4.
- ERECT SOUTH APPROACH STEELWORK SPANS & WELD THEM TOGETHER.
- INSTALL M&E SERVICES IN SOUTH APPROACH VIADUCT.
- COMPLETE INSTALLATION OF LIGHTNING MEASURES.



STAGE 8

- CAST DIAPHRAGMS AT P2, P3, P4, P5, P6 & P7 (POUR A). FOR EXTENTS OF POUR A & B REFER TO 3502-RAM-SB-XX-DR-CB-37005-37007
- CAST DIAPHRAGMS AT P2, P3, P4, P5, P6 & P7 (POUR B).
- CAST DECK SLABS AT SPAN 1 & SPAN 7.
- CAST DECK SLABS AT SPAN 2 & SPAN 6.
- CAST DECK SLABS AT PIER 2 & PIER 7 - INCLUDING BARRIER MOUNTINGS.
- CAST DECK SLABS AT SPAN 3, PIER 4, SPAN 5 & PIER 5.
- CAST DECK SLABS AT PIER 3 & PIER 6.
- INSTALL BEARINGS FOR LIFT SPAN AT NOSE PIER, INCLUDING CYLINDER PIT M+E EQUIPMENTS; ACCESS & LASHING PLATES, SHOCK ABSORBER ASSEMBLIES; NOSE LATERAL RESTRAINTS; SENSORS ETC.
- INSTALL CYLINDERS AT PIVOT PIER.
- INSTALL ACCESS PLATFORMS/LADDERS AT ALL LOCATIONS.

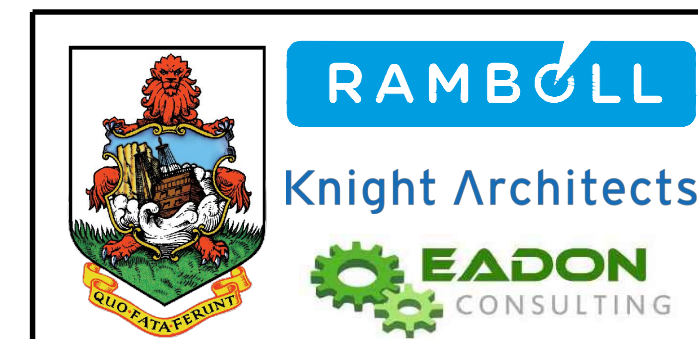


STAGE 9

- ERECT LIFT SPAN AND PIVOT BEARINGS AT PIVOT PIER INCLUDING UPPER CYLINDER MOUNT.
- CONNECT SUPERSTRUCTURE TO SUBSTRUCTURE AT PIVOT PIER AND LIGHTNING PROTECTION.
- POST TENSION PIVOT BEARING ANCHORS.
- COMPLETE INSTALLATION OF M&E EQUIPMENT, INCLUDING CCTV BARRIERS AND TRAFFIC CONTROL ASSEMBLIES & TEMPORARY CONTROL OPERATORS HUT.

T01	ISSUE FOR TENDER	12.09.25	CAB	SPT
Rev	Description	Date	By	App
			JFRW	

Project Title: REPLACEMENT OF SWING BRIDGE AND LONGBIRD BRIDGE, BERMUDA				
Status: ISSUE FOR TENDER				
Drawn:	Date:	Scale (at A1):		
M.Cooper	APR.2019	AS SHOWN		
Drawing No.:	Rev:			
3502-RAM-SB-XX-DR-CB-30203	T01			



Drawing Title:
SWING BRIDGE REPLACEMENT CONSTRUCTION SEQUENCE SHEET 3

ITEM	PART NUMBER	DESCRIPTION	raised/QTY
1	3502-RAM-SB-XX-DR-ME-31001	EAST PIVOT ASSEMBLY	1
2	3502-RAM-SB-XX-DR-ME-32001	LOWER CYLINDER MOUNT ASSEMBLY	1
3	3502-RAM-SB-XX-DR-ME-33001	UPPER CYLINDER MOUNT ASSEMBLY	1
4	3502-RAM-SB-XX-DR-ME-40001	SHOCK ABSORBER ASSEMBLY	2
5	3502-RAM-SB-XX-DR-ME-41001	NOSE LATERAL RESTRAINT PAD ASSEMBLY	2
6	3502-RAM-SB-XX-DR-ME-42001	WEST PIVOT ASSEMBLY	1
7	3502-RAM-SB-XX-DR-ME-43001	NOSE SENSOR ASSEMBLY	2
8	3502-RAM-SB-XX-DR-ME-48001	CYLINDER LASHING PLATE ASSEMBLY	2

BRIDGE DECK

1

3502-RAM-SB-XX-DR-ME-37501

PIER P4

PIER P3

3

6

ISOMETRIC VIEW
NOT TO SCALE

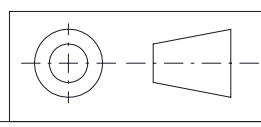
PIER P5

ASSEMBLY No. 3502-RAM-SB-XX-DR-ME-30001

GENERAL TOLERANCE TO ISO 2768 UOS

	0.5 UP TO 3	OVER 3 UP TO 6	OVER 6 UP TO 30	OVER 30 UP TO 120	OVER 120 UP TO 400	OVER 400 UP TO 1000	OVER 1000 UP TO 2000	OVER 2000 UP TO 4000
MACHINING ISO 2768-m	±0.1	±0.1	±0.2	±0.3	±0.5	±0.8	±1.2	±2
FABRICATION ISO 2768-c	±0.2	±0.3	±0.5	±0.8	±1.2	±2	±3	±4

ALL HOLES TO BE H11 UOS



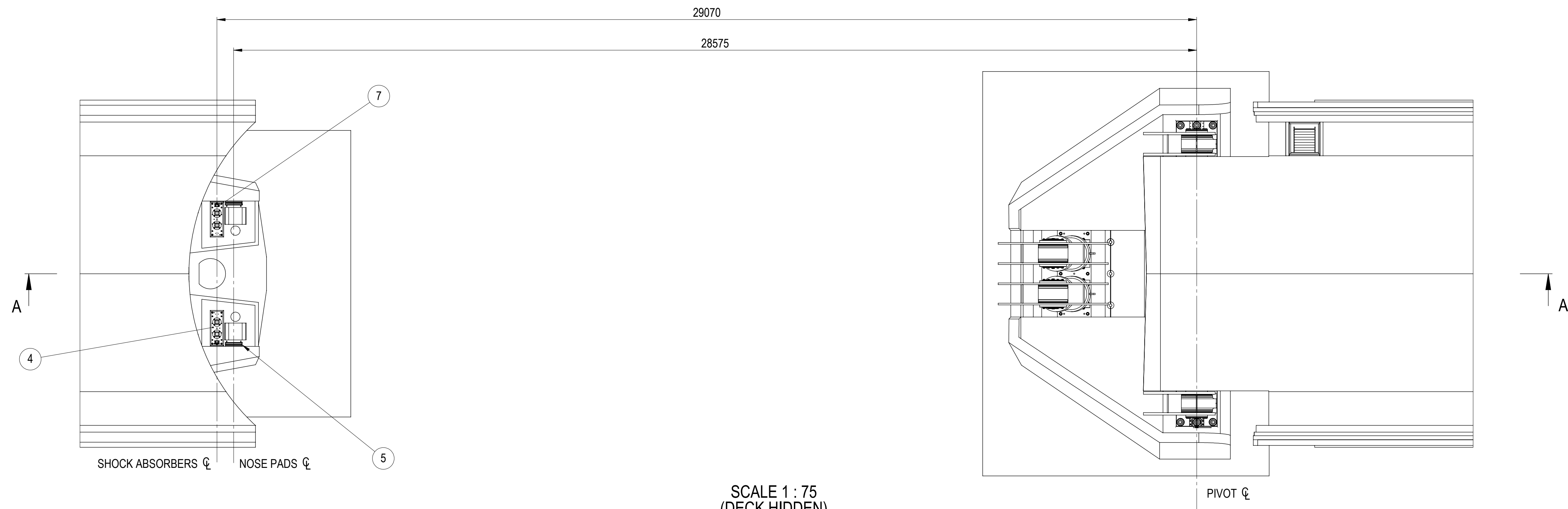
Project Title:
REPLACEMENT OF SWING BRIDGE
AND LONGBIRD BRIDGE, BERMUDA

Drawing Title:
SWING BRIDGE REPLACEMENT
GENERAL ARRANGEMENT
SHEET 1

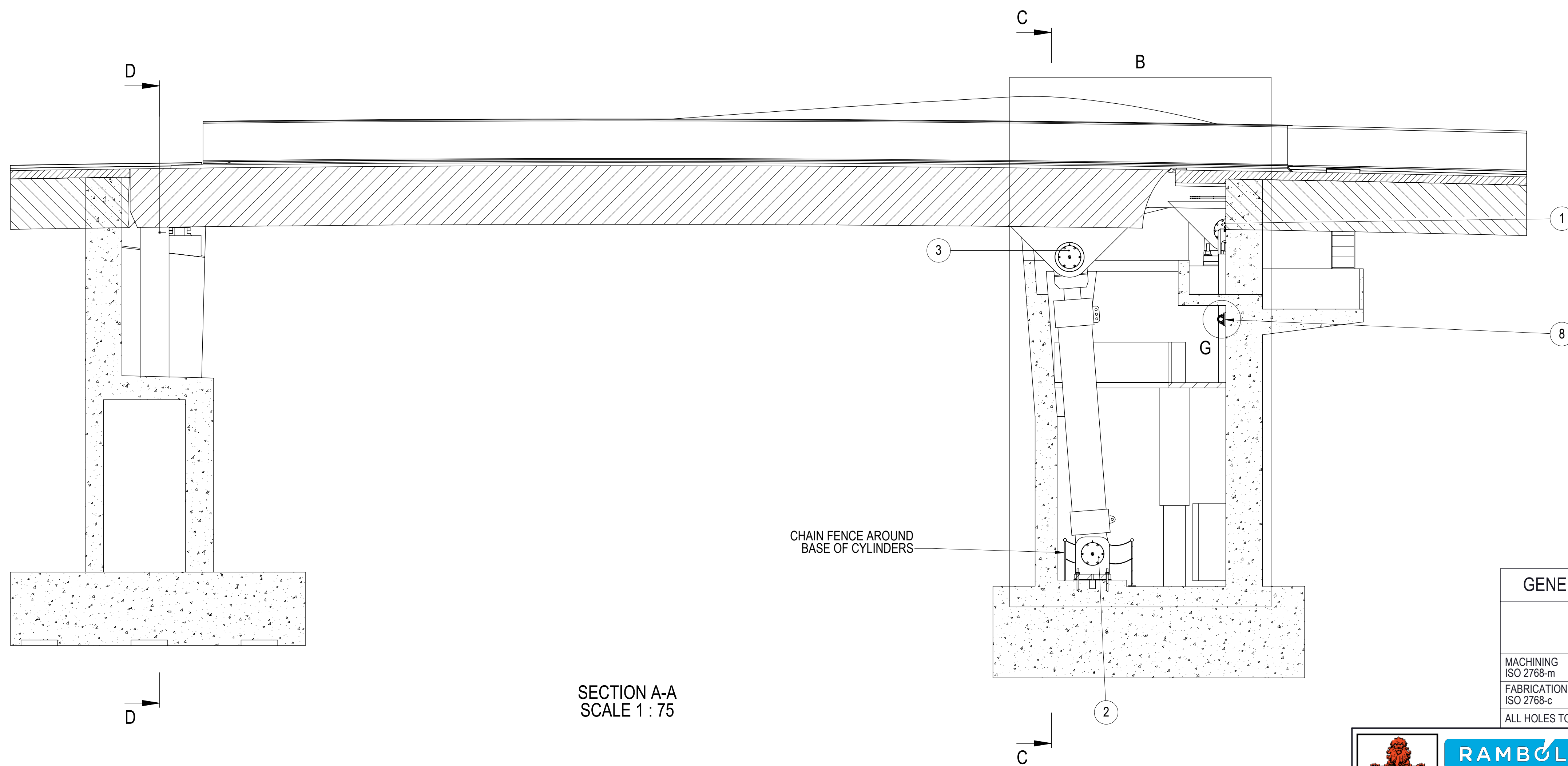
Rev	Description	Date	By	App
T01	ISSUE FOR TENDER	10.09.25	AR CB	MNT

Status: ISSUE FOR TENDER

Drawn: JJA	Date: 05.06.19	Scale (at A1): AS SHOWN
Drawing No.: 3502-RAM-SB-XX-DR-ME-30001	Rev: T01	



SCALE 1 : 75
(DECK HIDDEN)



GENERAL TOLERANCE TO ISO 2768 UOS

	0.5 UP TO 3	OVER 3 UP TO 6	OVER 6 UP TO 30	OVER 30 UP TO 120	OVER 120 UP TO 400	OVER 400 UP TO 1000	OVER 1000 UP TO 2000	OVER 2000 UP TO 4000
MACHINING ISO 2768-m	±0.1	±0.1	±0.2	±0.3	±0.5	±0.8	±1.2	±2
FABRICATION ISO 2768-c	±0.2	±0.3	±0.5	±0.8	±1.2	±2	±3	±4

ALL HOLES TO BE H11 UOS

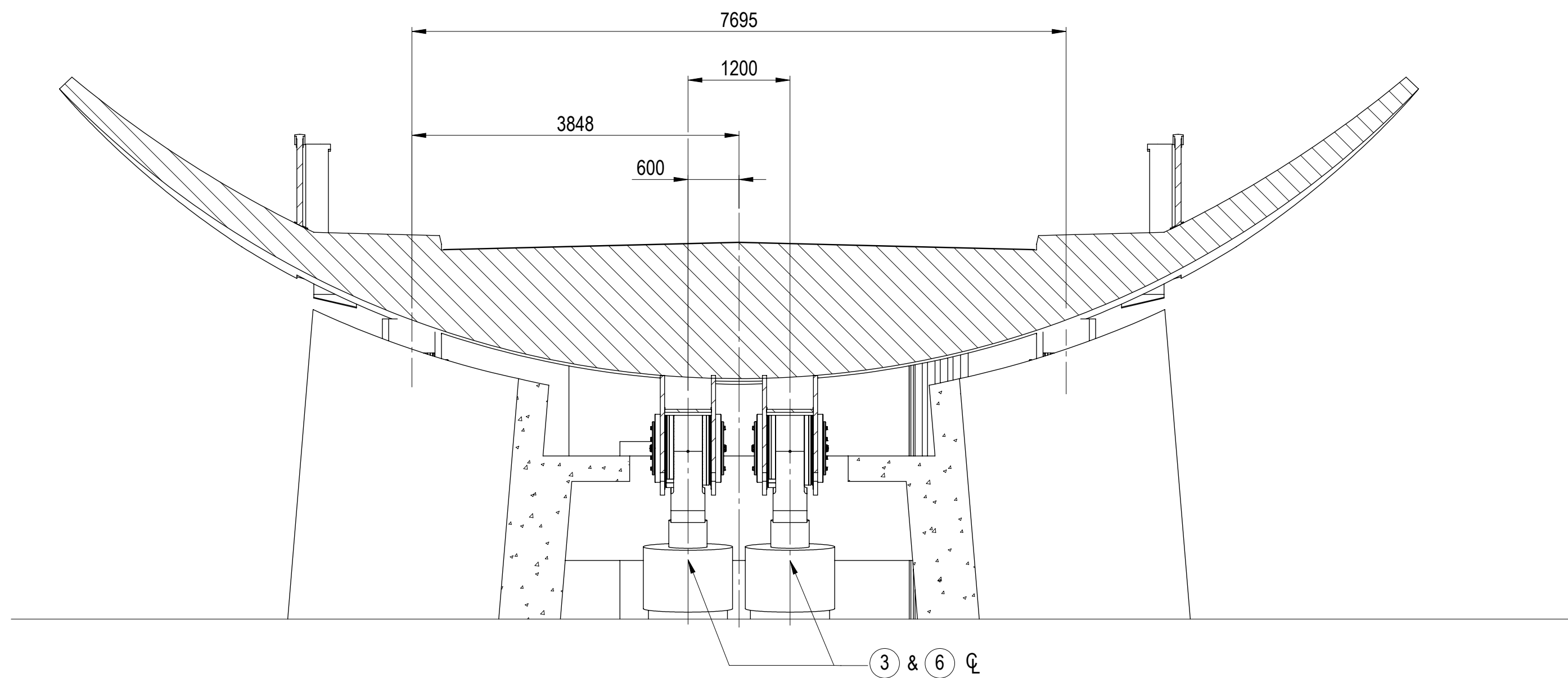
ASSEMBLY No. 3502-RAM-SB-XX-DR-ME-30002



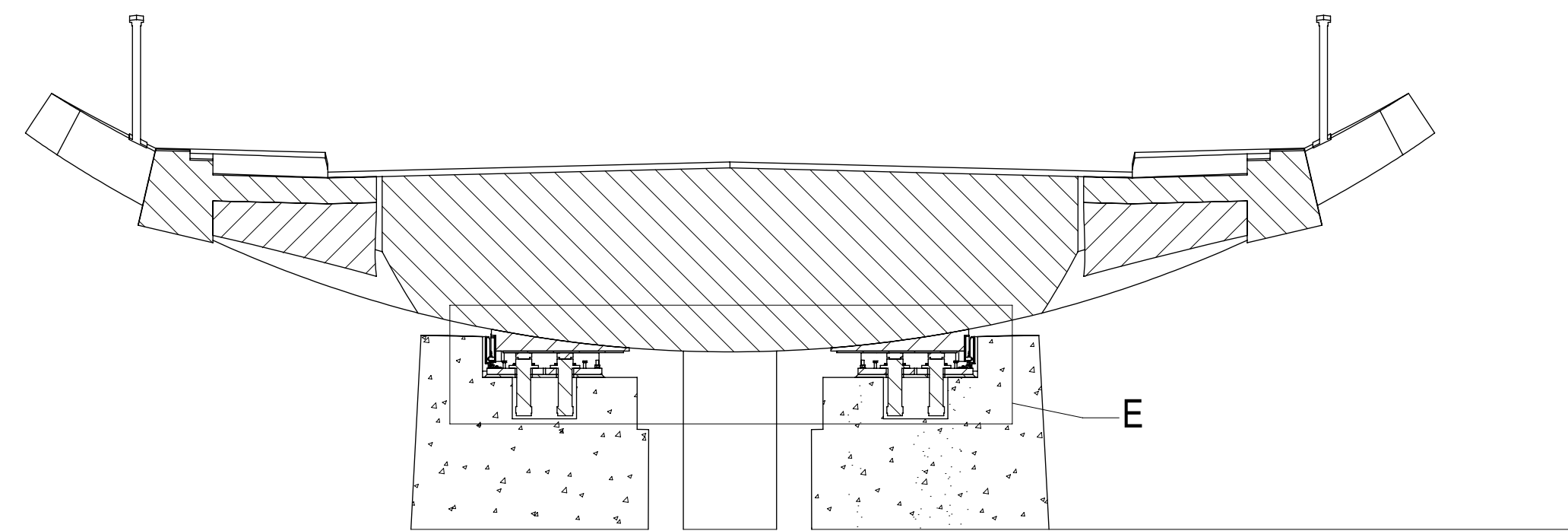
Project Title:
REPLACEMENT OF SWING BRIDGE
AND LONGBIRD BRIDGE, BERMUDA

Drawing Title:
SWING BRIDGE REPLACEMENT
GENERAL ARRANGEMENT
SHEET 2

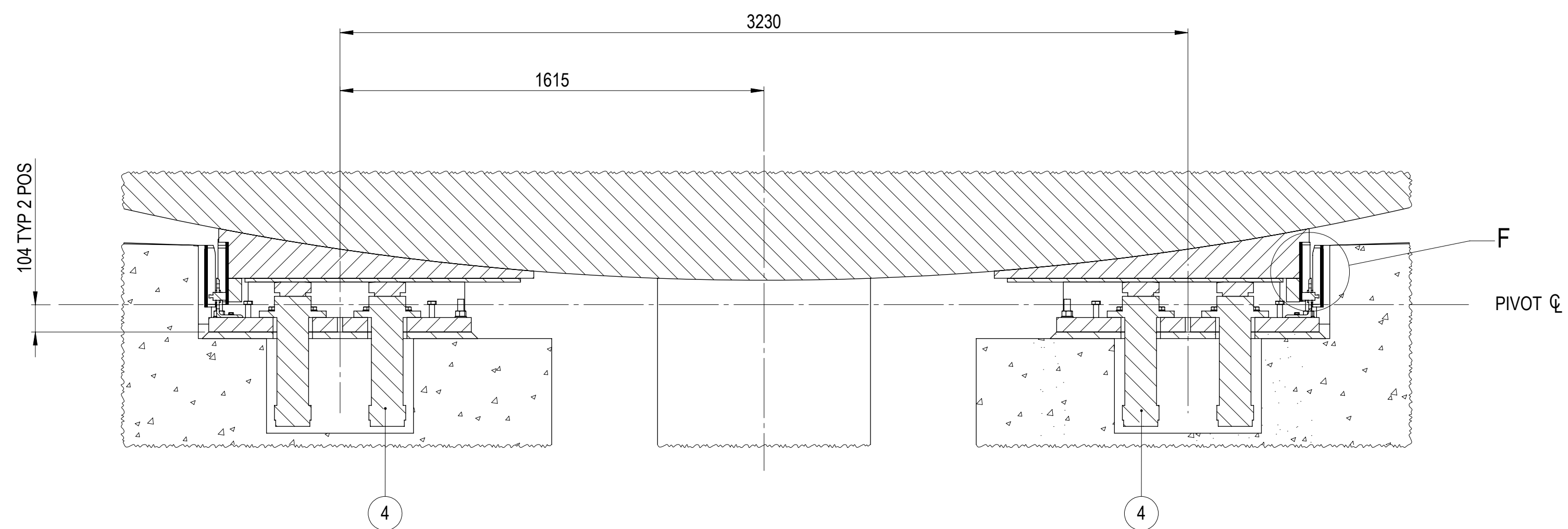
Rev	Description	Date	By	App
T01	ISSUE FOR TENDER	10.09.25	AR CB	MNT
Status: ISSUE FOR TENDER				
Drawn:	Date:	Scale (at A1):		
JJA	05.06.19	AS SHOWN		
Drawing No.:	3502-RAM-SB-XX-DR-ME-30002	Rev:	T01	



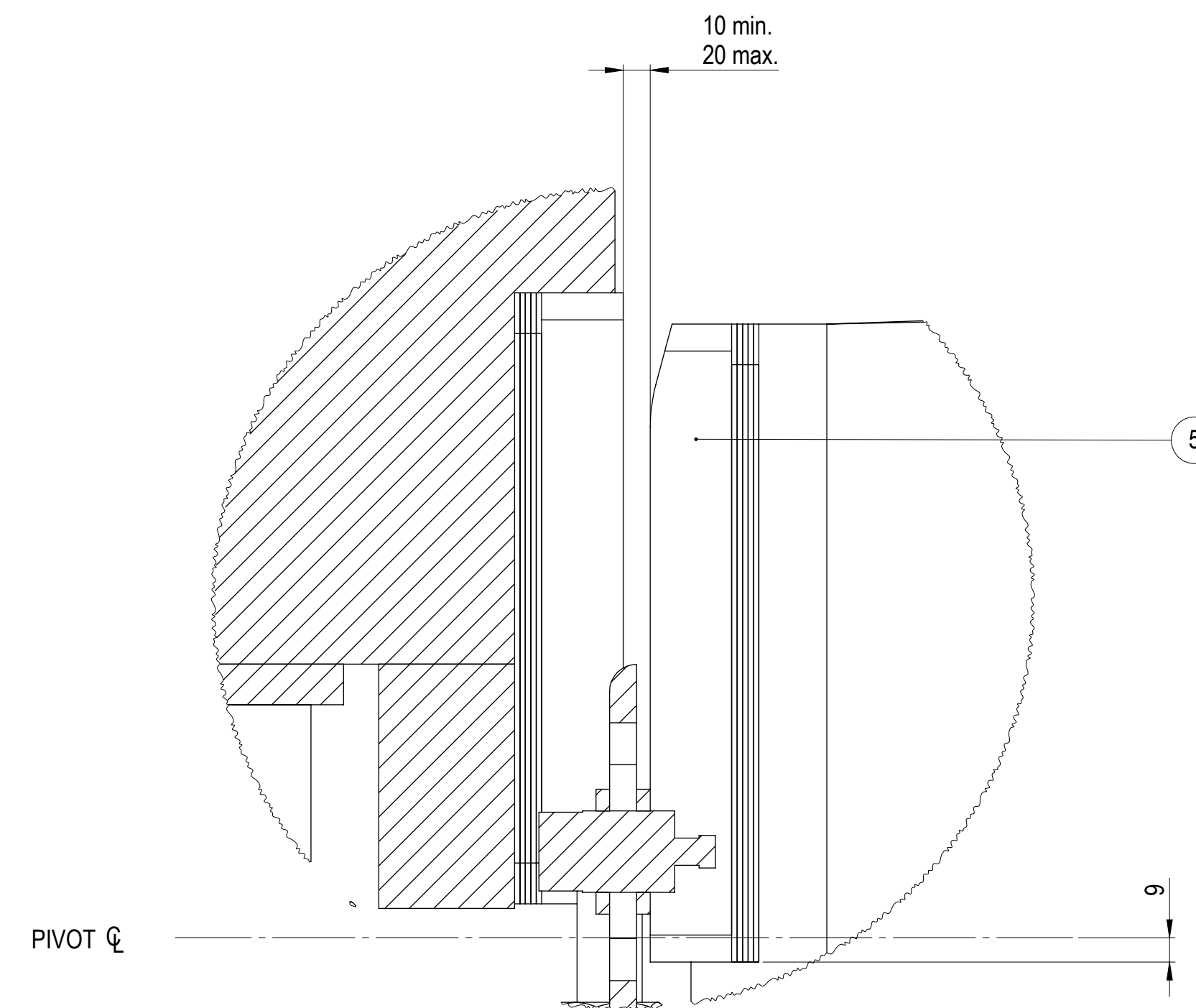
SECTION C-C
SCALE 1 : 50



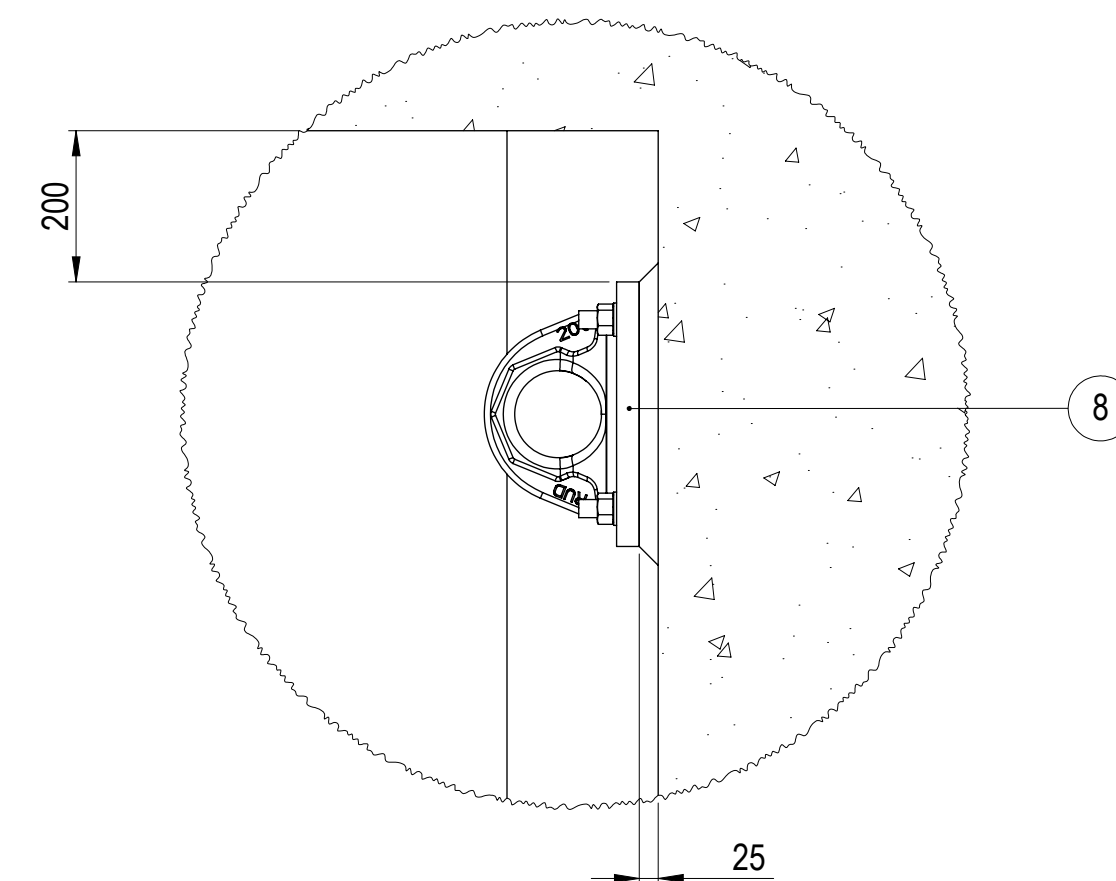
SECTION D-D
SCALE 1 : 50



DETAIL E
SCALE 1 : 15



DETAIL F
TYP 2 POS
SCALE 1 : 2



DETAIL G
TYP 2 POS
SCALE 1 : 10

GENERAL TOLERANCE TO ISO 2768 UOS

	0.5 UP TO 3	OVER 3 UP TO 6	OVER 6 UP TO 30	OVER 30 UP TO 120	OVER 120 UP TO 400	OVER 400 UP TO 1000	OVER 1000 UP TO 2000	OVER 2000 UP TO 4000
MACHINING ISO 2768-m	±0.1	±0.1	±0.2	±0.3	±0.5	±0.8	±1.2	±2
FABRICATION ISO 2768-c	±0.2	±0.3	±0.5	±0.8	±1.2	±2	±3	±4

ALL HOLES TO BE H11 UOS



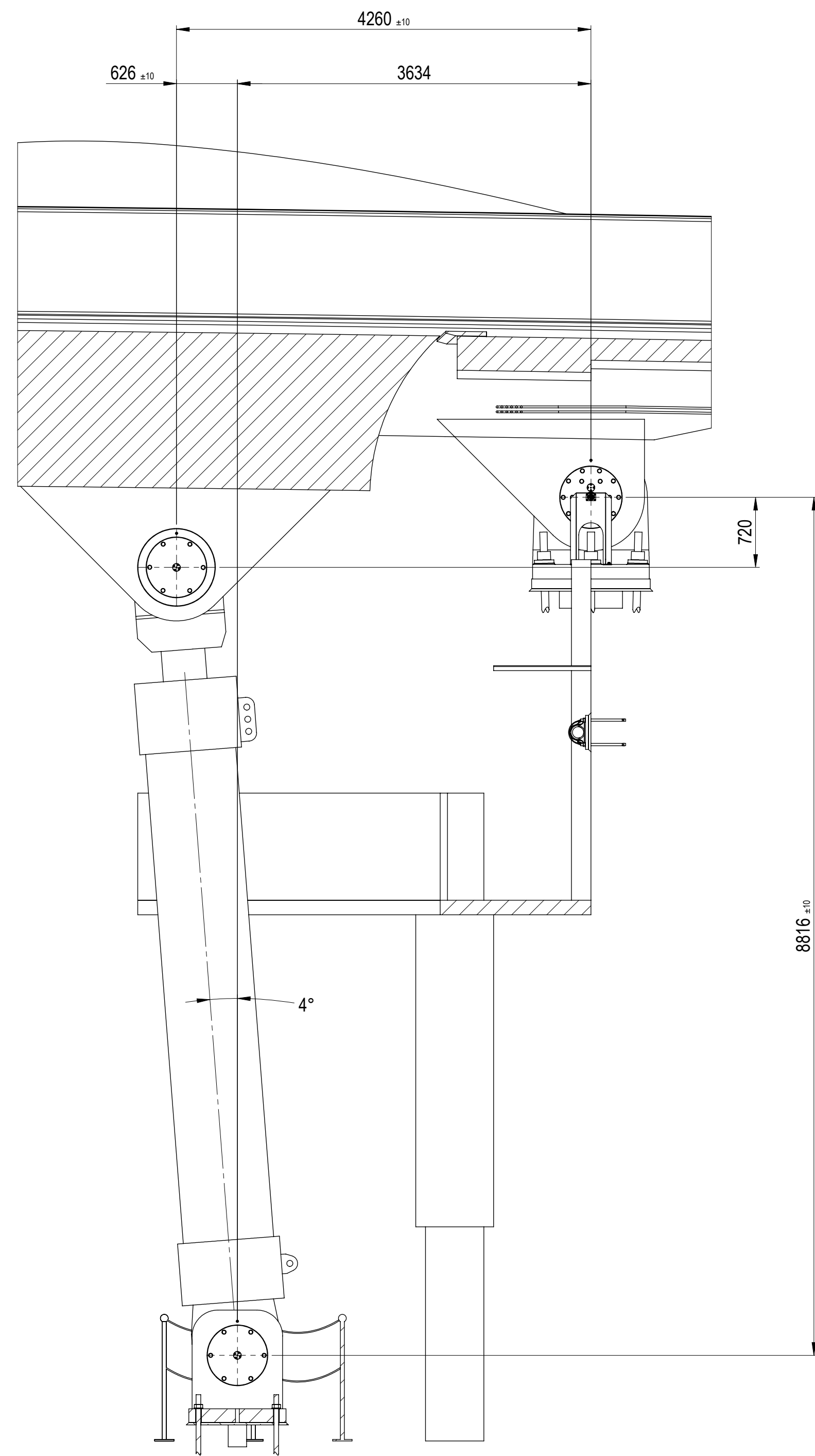
Project Title:
REPLACEMENT OF SWING BRIDGE
AND LONGBIRD BRIDGE, BERMUDA

Drawing Title:
SWING BRIDGE REPLACEMENT
GENERAL ARRANGEMENT
SHEET 3

Rev	Description	Date	By	App
T01	ISSUE FOR TENDER	10.09.25	AR CB	MNT

Status: ISSUE FOR TENDER

Drawn: JJA	Date: 05.06.19	Scale (at A1): AS SHOWN
Drawing No.: 3502-RAM-SB-XX-DR-ME-30003	Rev: T01	



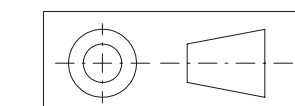
DETAIL B
(PIER 4 HIDDEN)
SCALE 1 : 40

ASSEMBLY No. 3502-RAM-SB-XX-DR-ME-30004

GENERAL TOLERANCE TO ISO 2768 UOS

	0.5 UP TO 3	OVER 3 UP TO 6	OVER 6 UP TO 30	OVER 30 UP TO 120	OVER 120 UP TO 400	OVER 400 UP TO 1000	OVER 1000 UP TO 2000	OVER 2000 UP TO 4000
MACHINING ISO 2768-m	±0.1	±0.1	±0.2	±0.3	±0.5	±0.8	±1.2	±2
FABRICATION ISO 2768-c	±0.2	±0.3	±0.5	±0.8	±1.2	±2	±3	±4

ALL HOLES TO BE H11 UOS

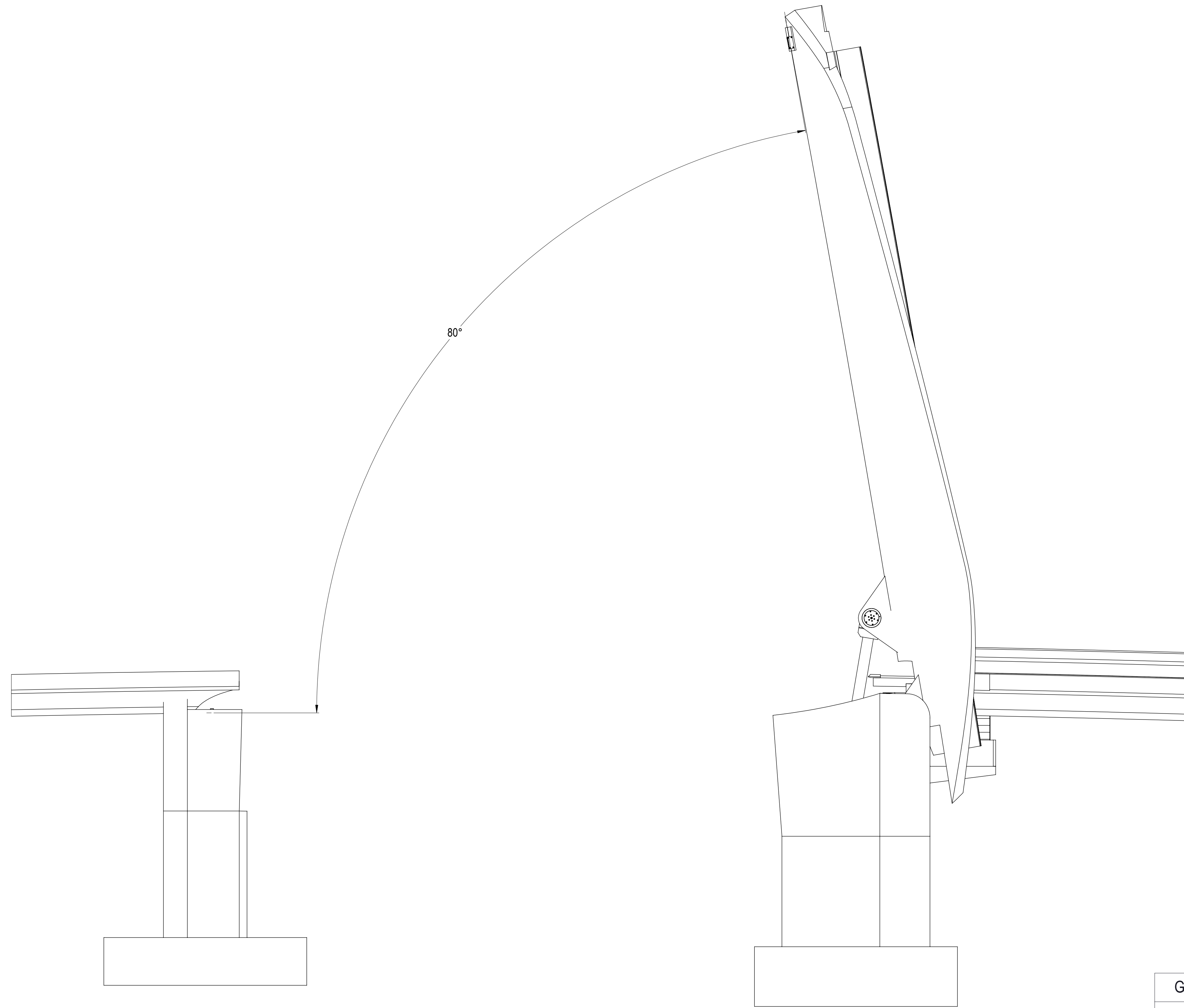


Project Title:
REPLACEMENT OF SWING BRIDGE
AND LONGBIRD BRIDGE, BERMUDA

Drawing Title:
SWING BRIDGE REPLACEMENT
GENERAL ARRANGEMENT
SHEET 4

Rev	Description	Date	By	App
T01	ISSUE FOR TENDER	10.09.25	AR CB	MNT

Status:	ISSUE FOR TENDER		
Drawn:	Date:	Scale (at A1):	Rev:
JJA	05.06.19	AS SHOWN	
Drawing No.:	3502-RAM-SB-XX-DR-ME-30004		Rev:
			T01



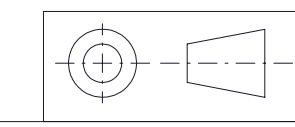
SCALE 1 : 100

ASSEMBLY No. 3502-RAM-SB-XX-DR-ME-30005

GENERAL TOLERANCE TO ISO 2768 UOS

	0.5 UP TO 3	OVER 3 UP TO 6	OVER 6 UP TO 30	OVER 30 UP TO 120	OVER 120 UP TO 400	OVER 400 UP TO 1000	OVER 1000 UP TO 2000	OVER 2000 UP TO 4000
MACHINING ISO 2768-m	±0.1	±0.1	±0.2	±0.3	±0.5	±0.8	±1.2	±2
FABRICATION ISO 2768-c	±0.2	±0.3	±0.5	±0.8	±1.2	±2	±3	±4

ALL HOLES TO BE H11 UOS



Project Title:
REPLACEMENT OF SWING BRIDGE
AND LONGBIRD BRIDGE, BERMUDA

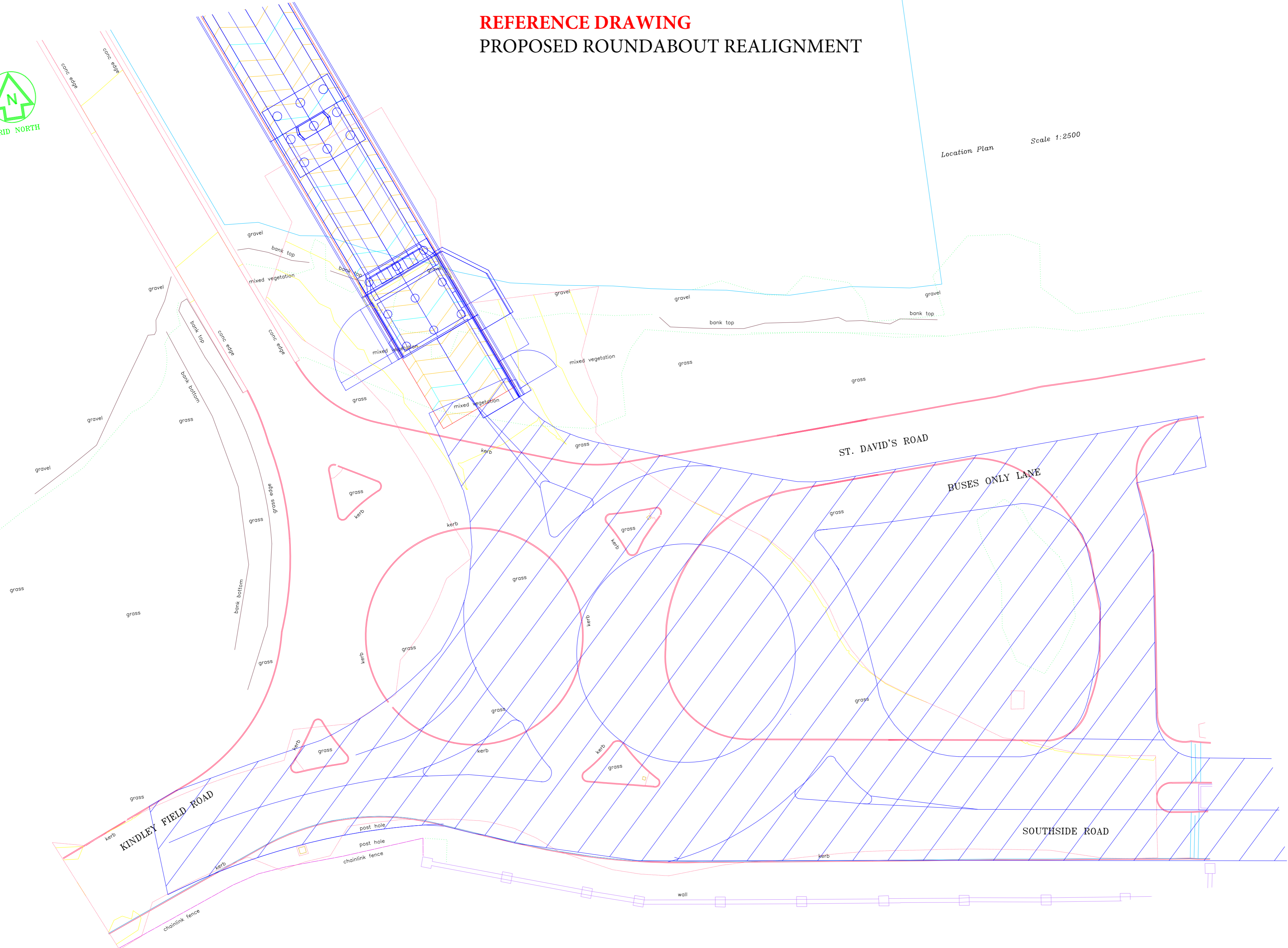
Drawing Title:
SWING BRIDGE REPLACEMENT
GENERAL ARRANGEMENT
SHEET 5

Rev	Description	Date	By	App
T01	ISSUE FOR TENDER	10.09.25	AR CB	MNT
Status: ISSUE FOR TENDER				
Drawn:	Date:	Scale (at A1):		
JJA	05.06.19	AS SHOWN		
Drawing No.:	3502-RAM-SB-XX-DR-ME-30005		Rev:	T01

REFERENCE DRAWING PROPOSED ROUNDABOUT REALIGNMENT



Location Plan Scale 1:2500



REFERENCE DRAWING
PROPOSED ROUNDABOUT ALIGNMENT

