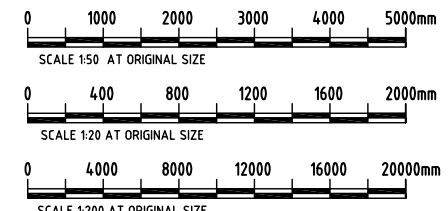
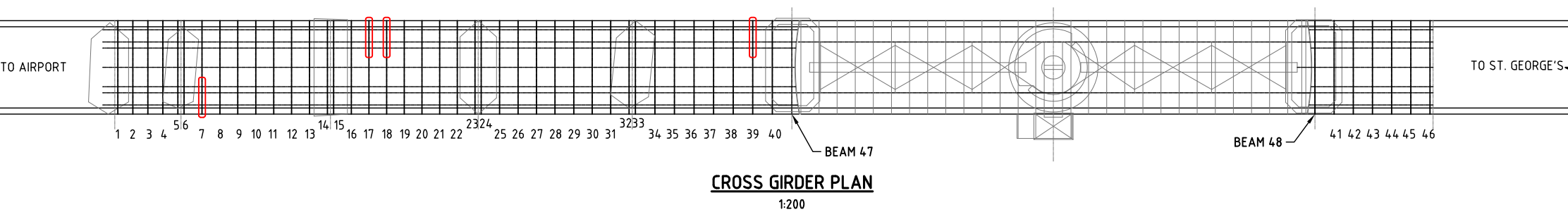
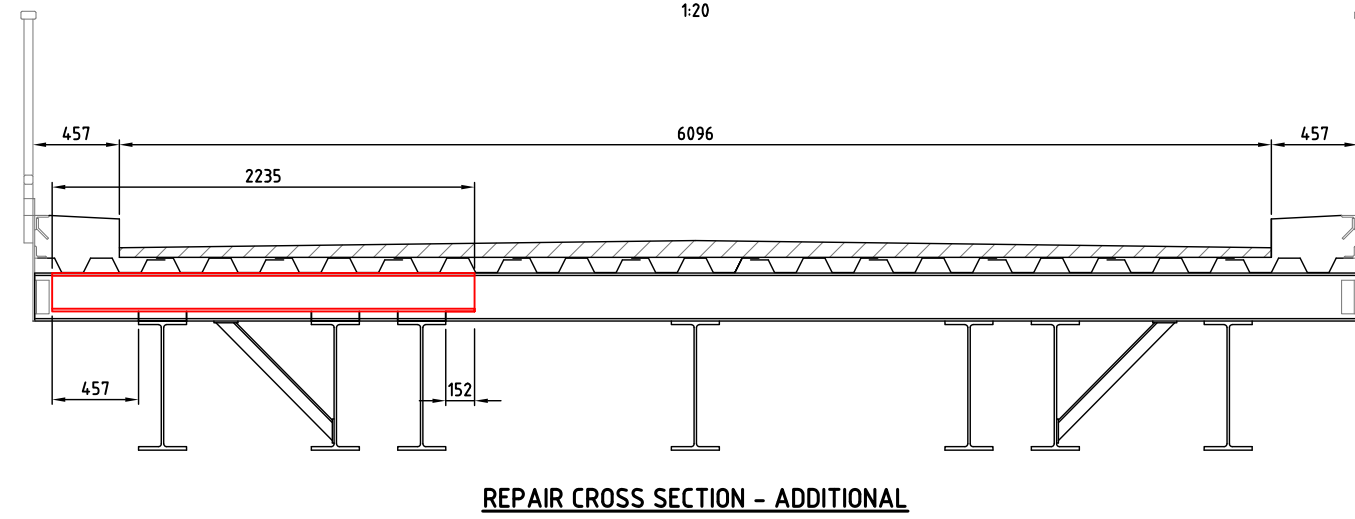
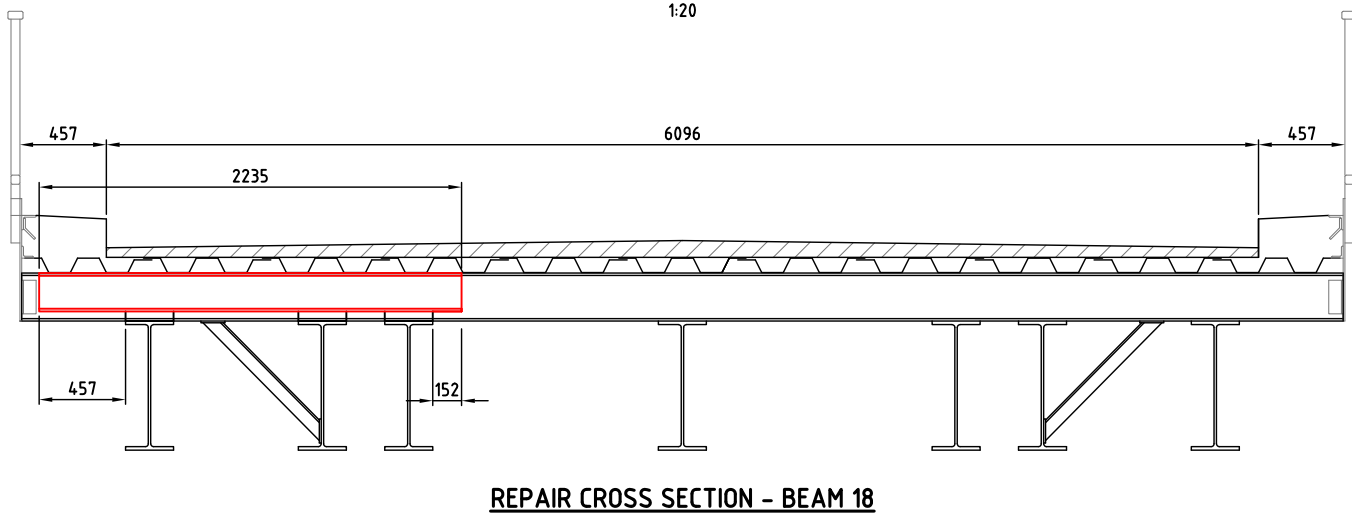
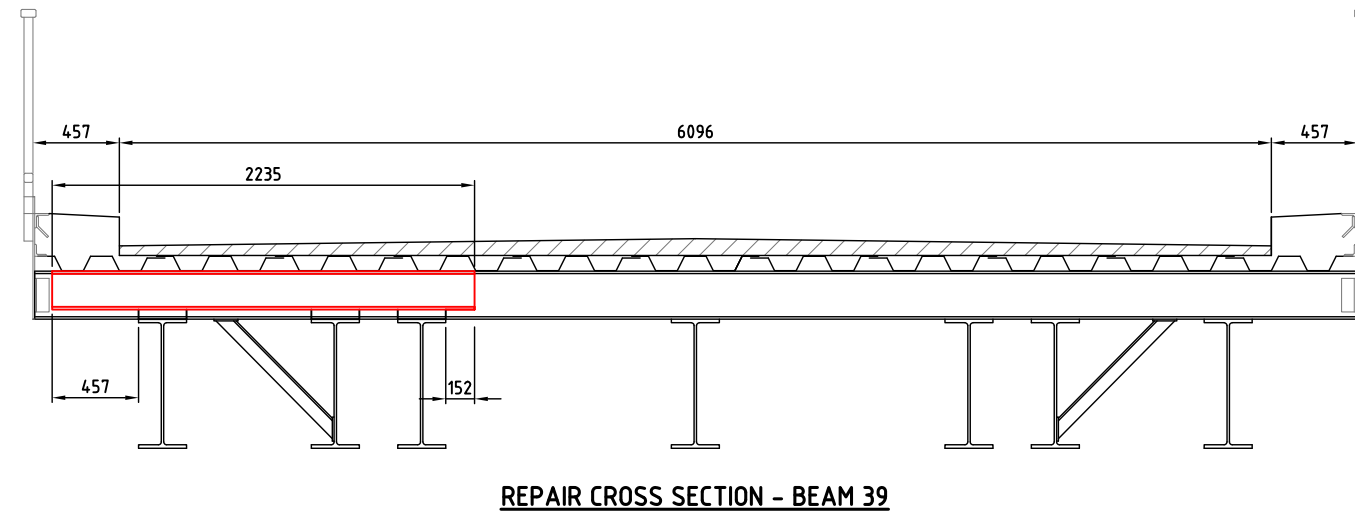
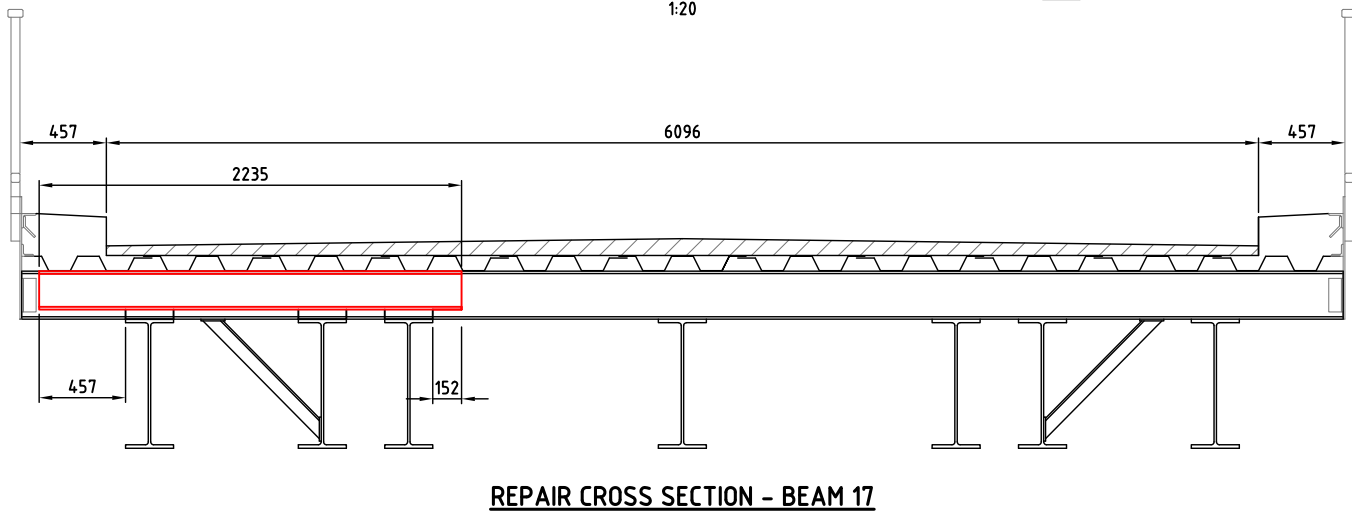
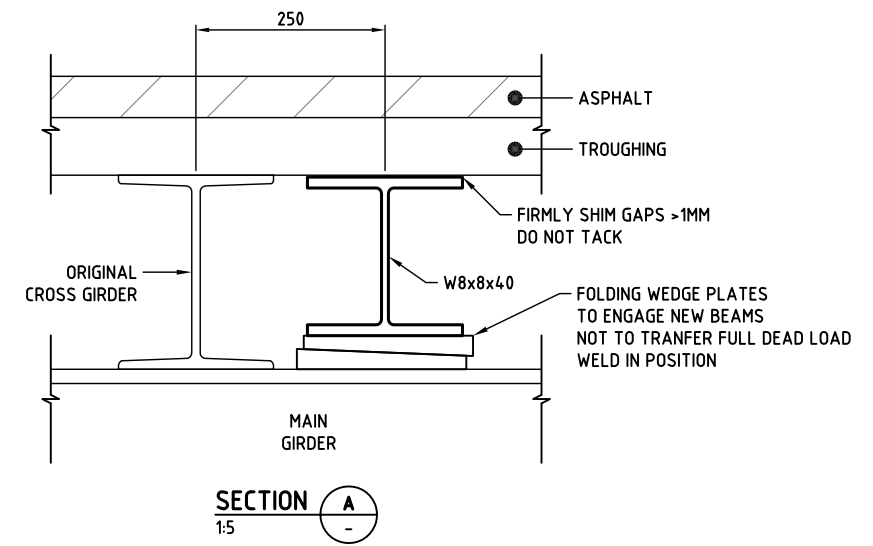
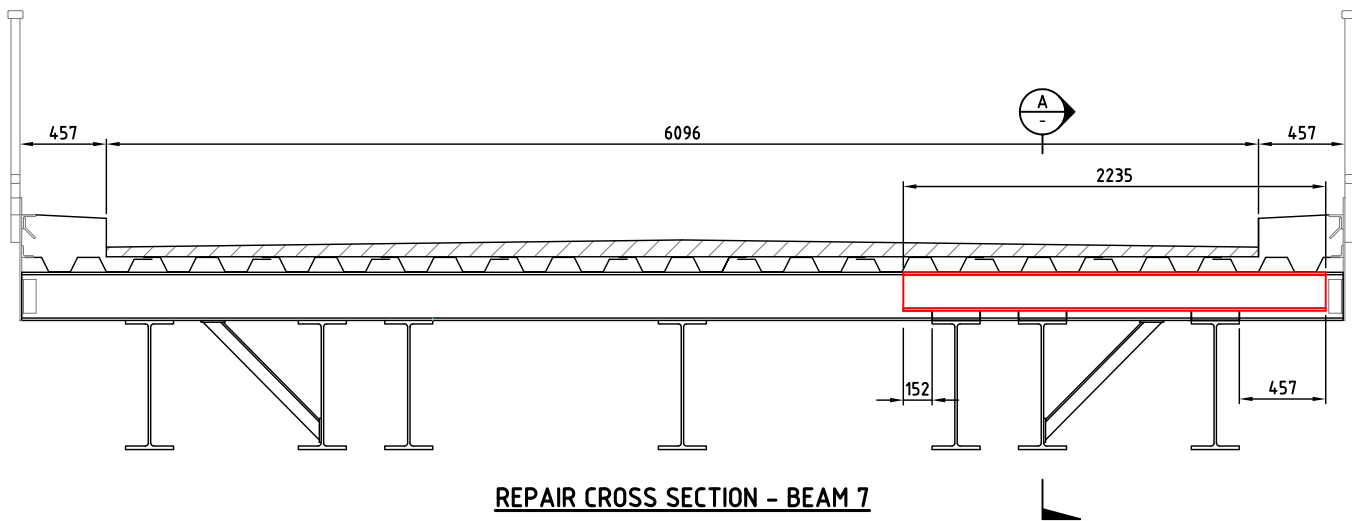


- GENERAL NOTES:
1. SURVEY GRID IS BNG2000
  2. LEVELS ARE IN METERS ABOVE ORDINANCE DATUM
  3. CONTRACTOR TO ENSURE STABILITY OF THE STRUCTURE DURING ALL PHASES OF THE WORKS DEMOLITION
  4. ALL NEW STEELWORK TO BE SUPPLIED WITH BLAST PRIMER; TOUCHUP WITH ZINC RICH PRIMER



| AMENDMENTS: |            | DATE:    |
|-------------|------------|----------|
| NO:         | REVISION   |          |
| A           | FOR TENDER | 06/03/23 |
|             |            |          |
|             |            |          |
|             |            |          |

ISSUED FOR: INFORMATION

SCALE: AS SHOWN AT ANSI D

**SURVEY**  
PREPARED: - DATE: -

**DESIGN**  
PREPARED: R.G.WARD DATE: 10/11/2016  
CHECKED: J.SAMARASEKRA DATE: 16/11/2016

**DRAWING**  
PREPARED: A.KENNY DATE: 06/03/2023  
CHECKED: - DATE: -

APPROVED BY:  
A.KENNY

PROJECT NUMBER:  
44-01-115

PROJECT NAME:  
**SWING BRIDGE  
TEMPORARY  
REPAIRS 2023**

**ST GEORGE'S**  
SHEET TITLE:  
**CROSS GIRDER REPAIR**

SHEET NUMBER:  
**S201**

REVISION  
**A**