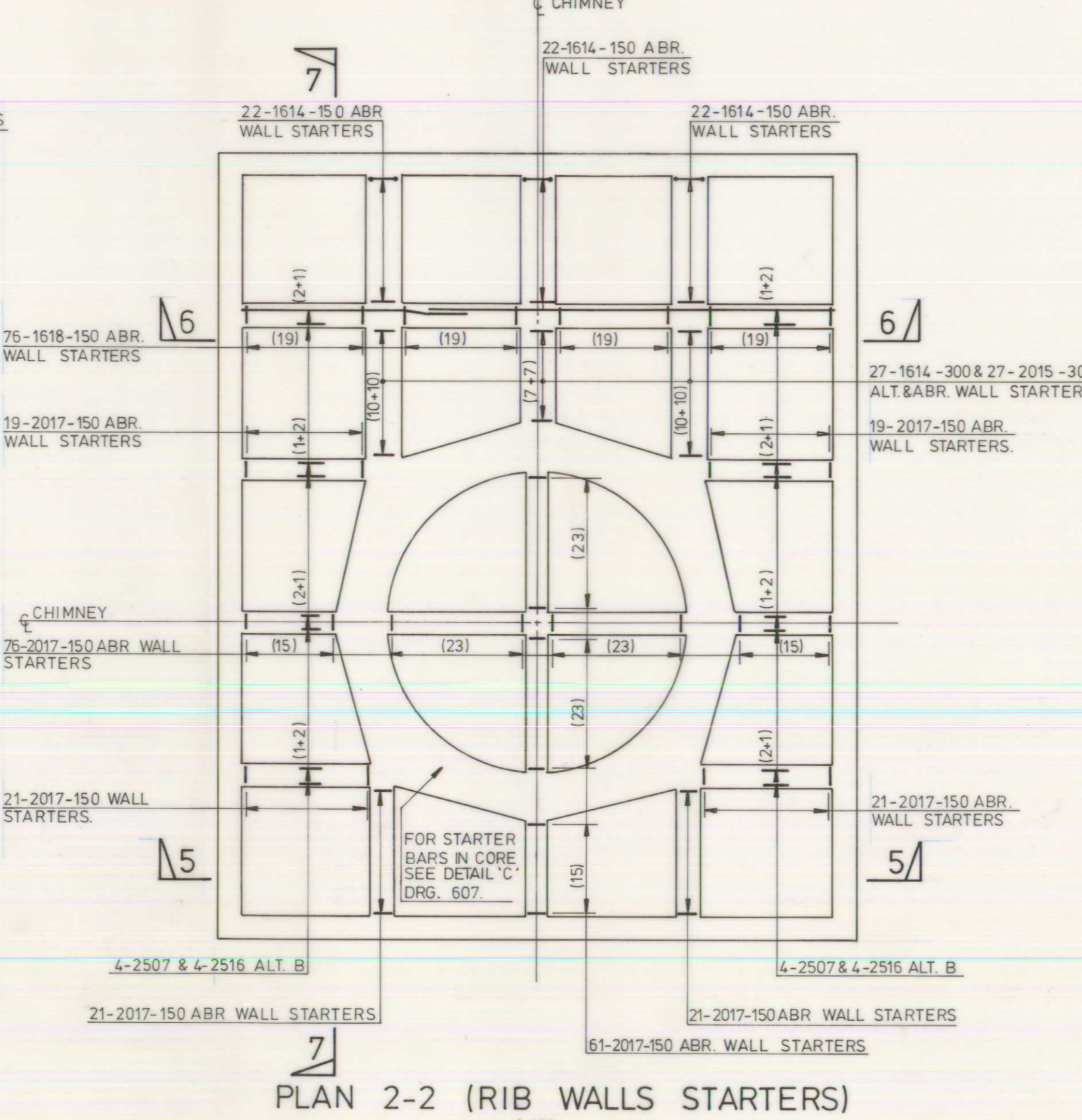
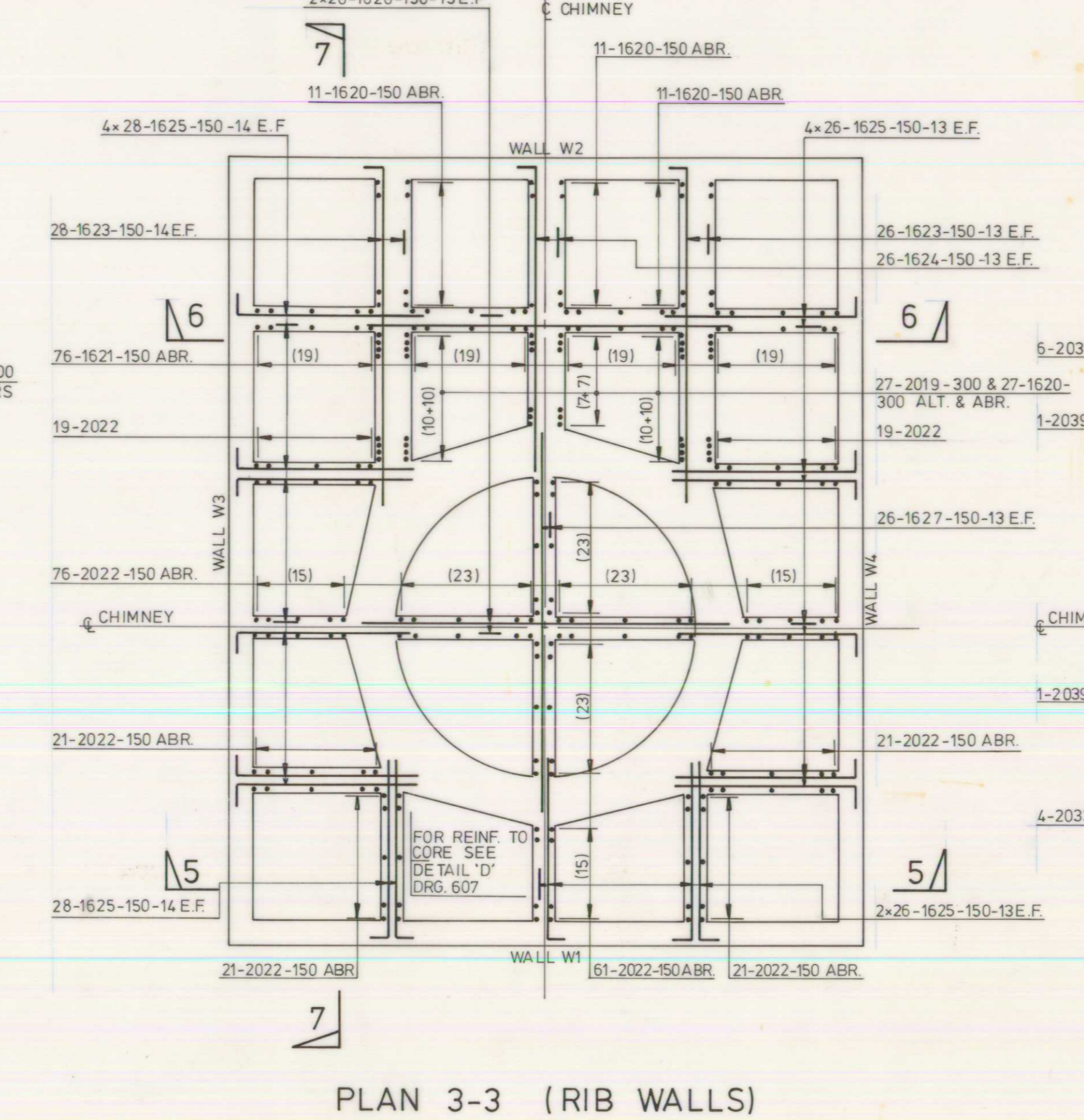


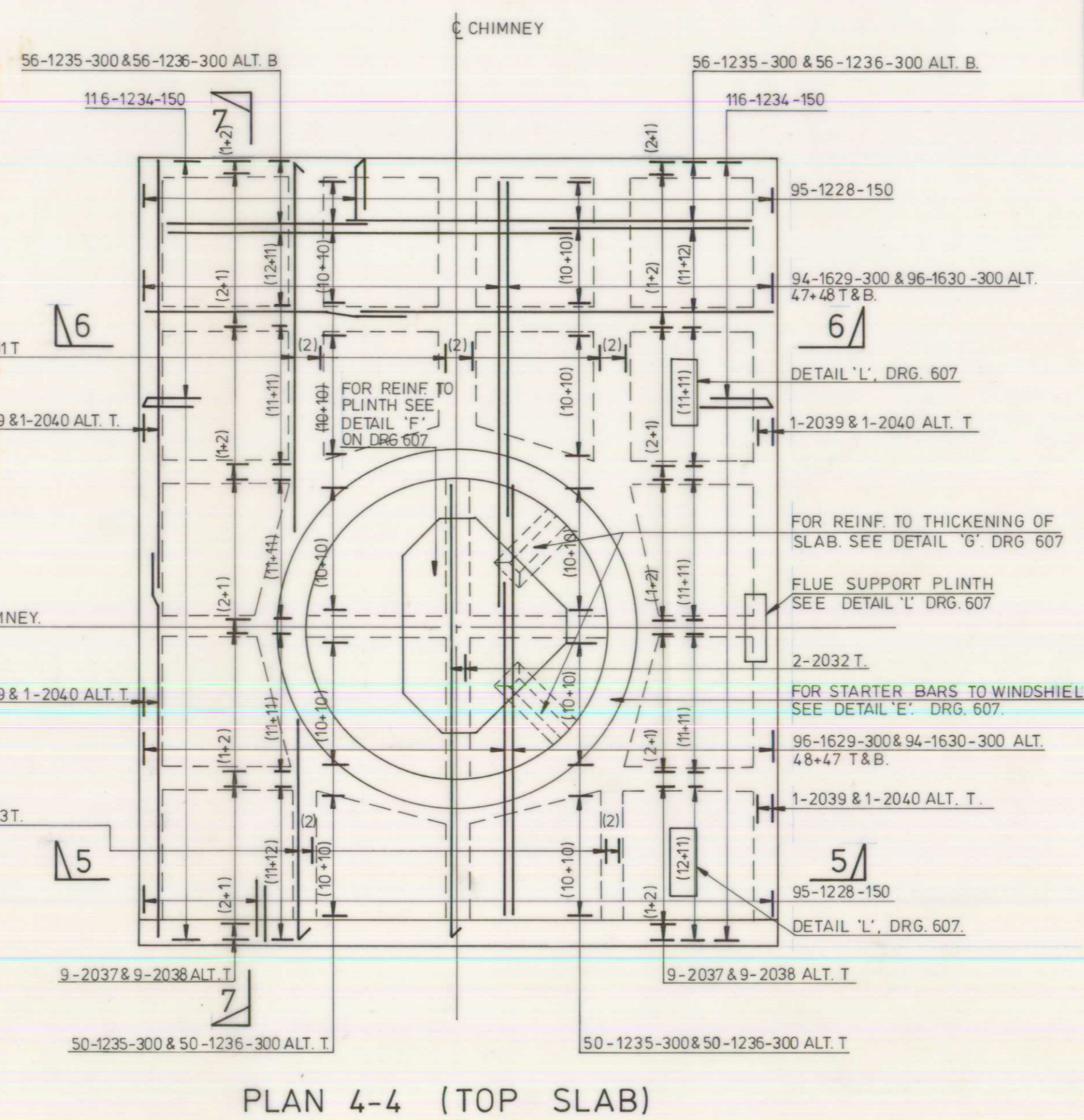
PLAN 1-1 (BASE SLAB & WALL STARTERS)
1:100



PLAN 2-2 (RIB WALLS STARTERS)
1:100

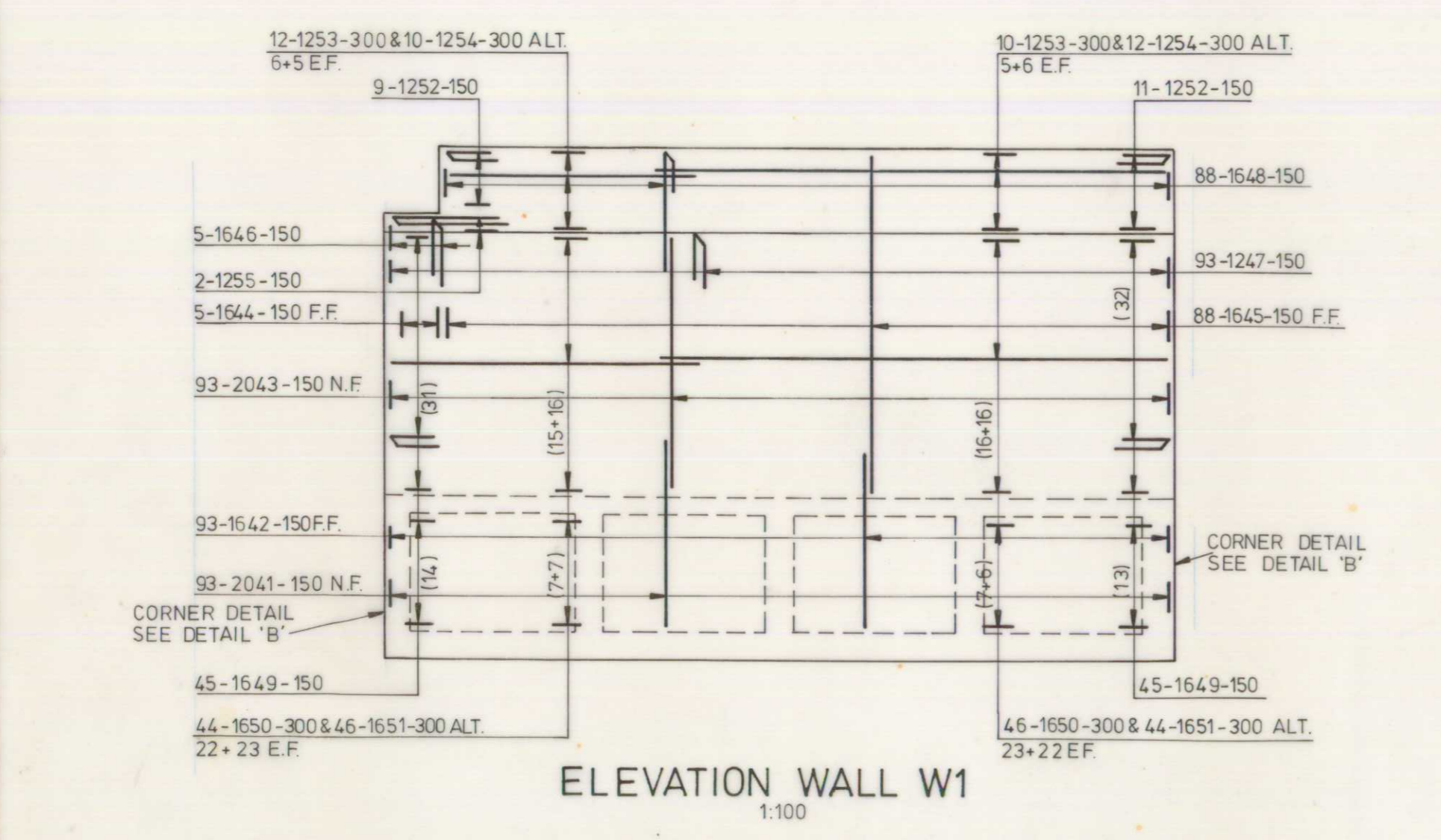


PLAN 3-3 (RIB WALLS)
1:100

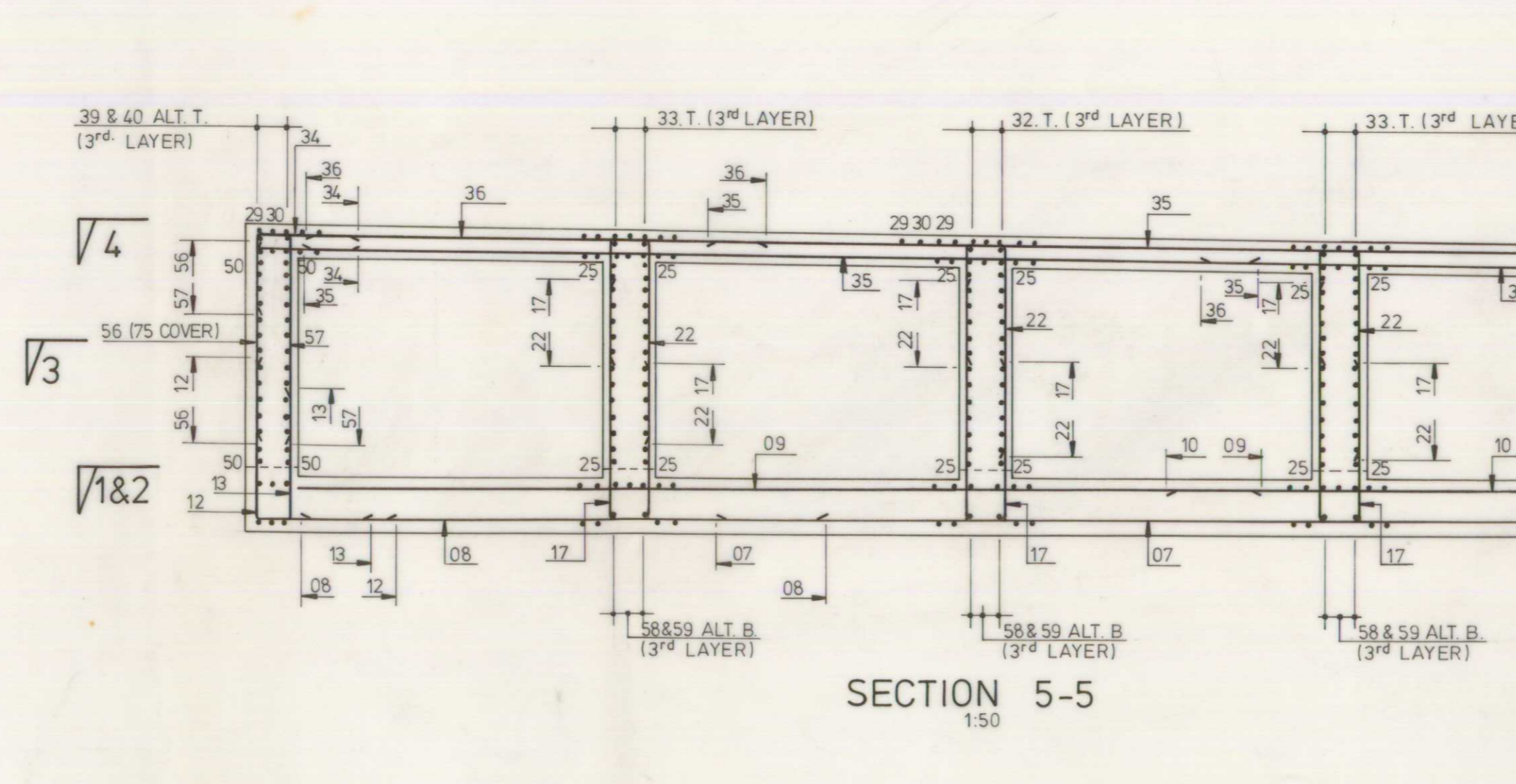


PLAN 4-4 (TOP SLAB)
1:100

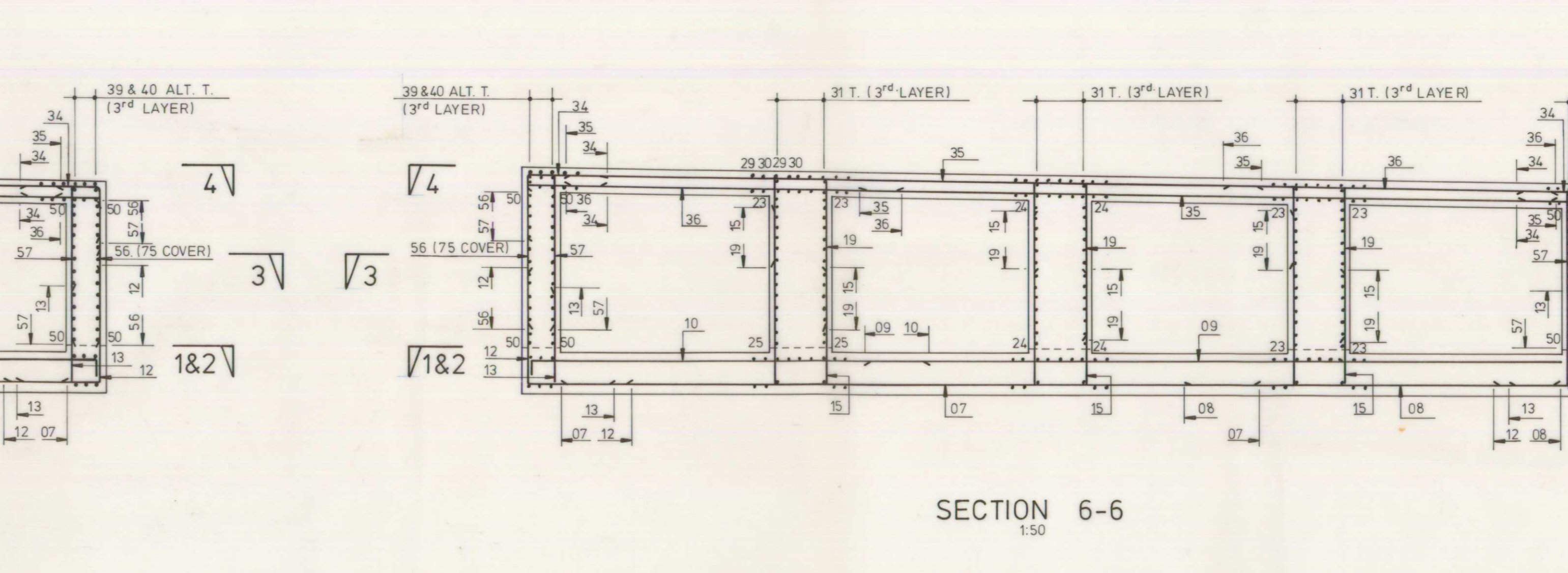
REINFORCEMENT NOTES
ALL REINFORCEMENT IS TYPE 2 (T) UNLESS NOTED OTHERWISE.
NOTATION: (GRADE & TYPE) (SPACING) (LENGTH) (LOCATION)
LOCATION ABBREVIATIONS: T - TOP, B - BOTTOM, NF - NEAR FACE, FF - FAR FACE, EF - EACH FACE, ABR - ALTERNATE BARS REVERSED, ALT - ALTERNATE
BAR SCHEDULE REFERENCE: 606
UNLESS NOTED OTHERWISE COVER TO REINFORCEMENT TO BE - 50 mm
LAPS TO BE NOT LESS THAN THE FOLLOWING:
40 32 25 20 16 12 10 8
1500 1200 950 750 600 450 400 350
ABOVE VALUES TO BE FACTORED BY 1.4 OR 2.0 WHERE NECESSARY TO COMPLY WITH BS 8110 PART 1: 1985 CLAUSE 9.12.8.13
FOR DETAILS 'C', 'D', 'E', 'F', 'G' & 'I' SEE DWS. NO 862/5/67
THIS DRAWING TO BE READ IN CONJUNCTION WITH DRAWING NOS 862/5/61-605 & 607-610.



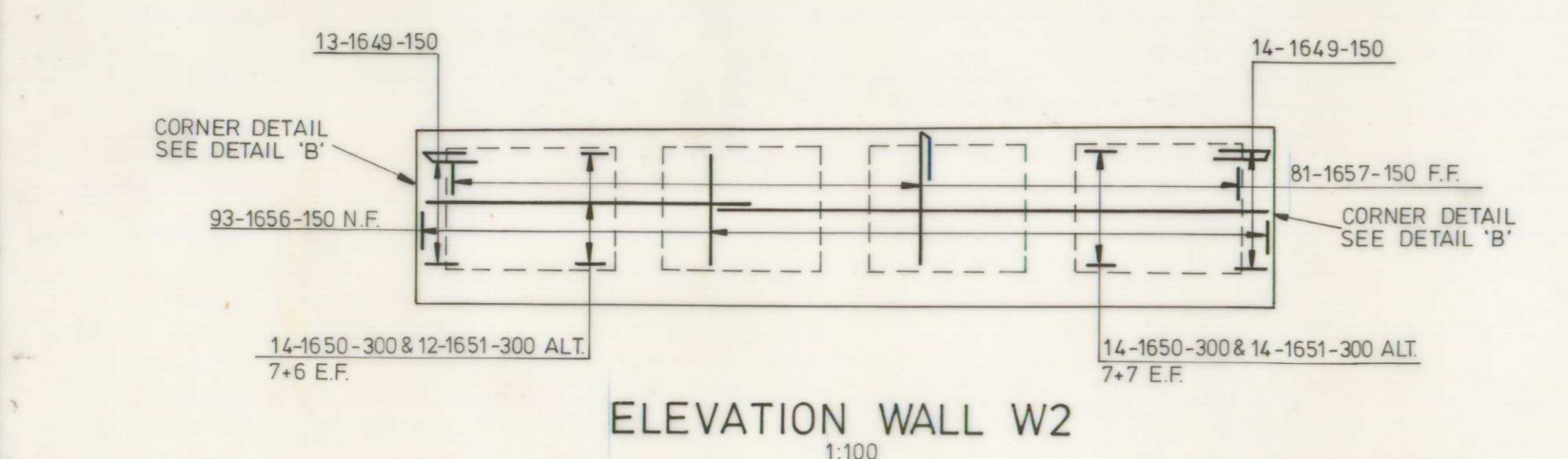
ELEVATION WALL W1
1:100



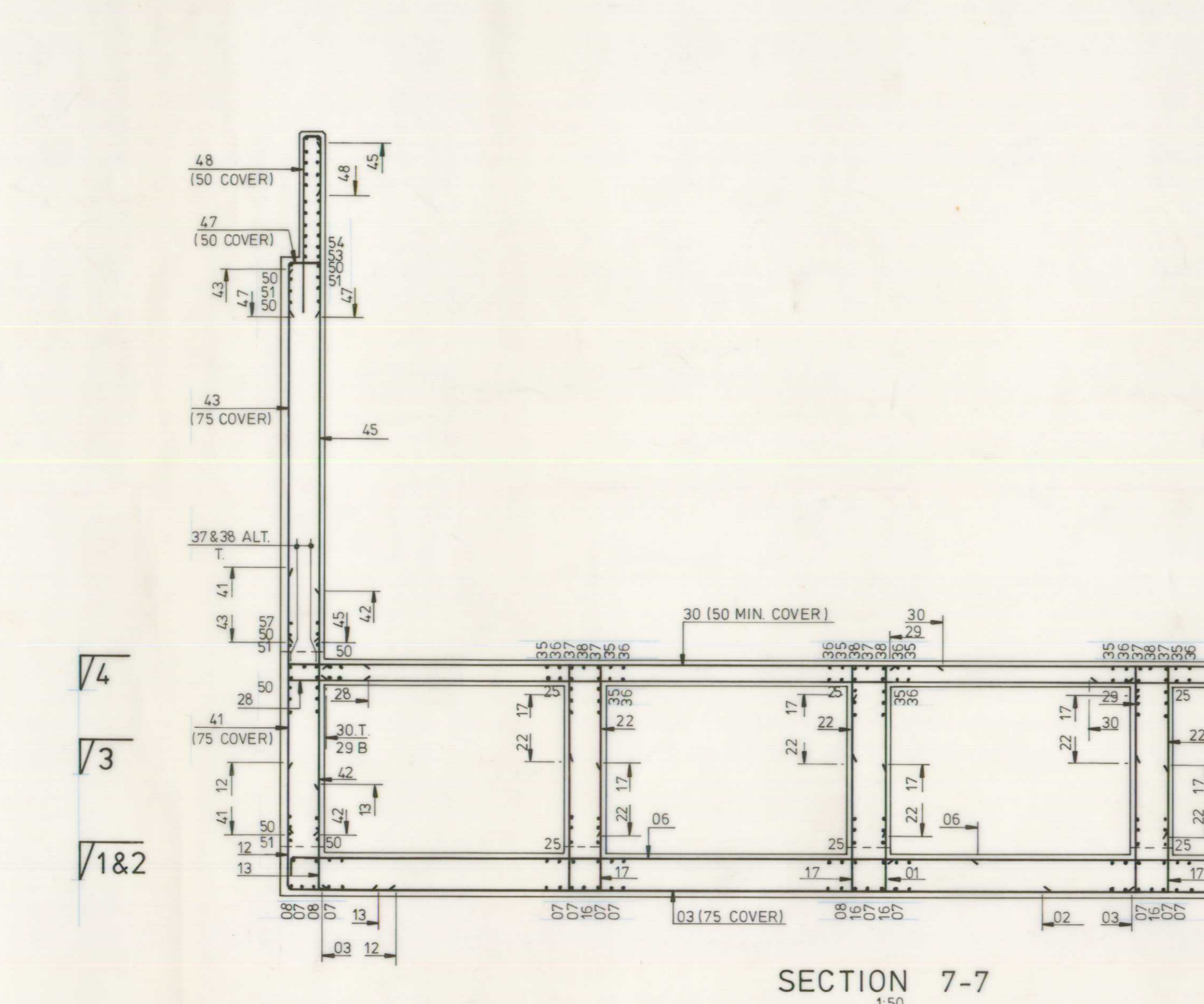
SECTION 5-5
1:50



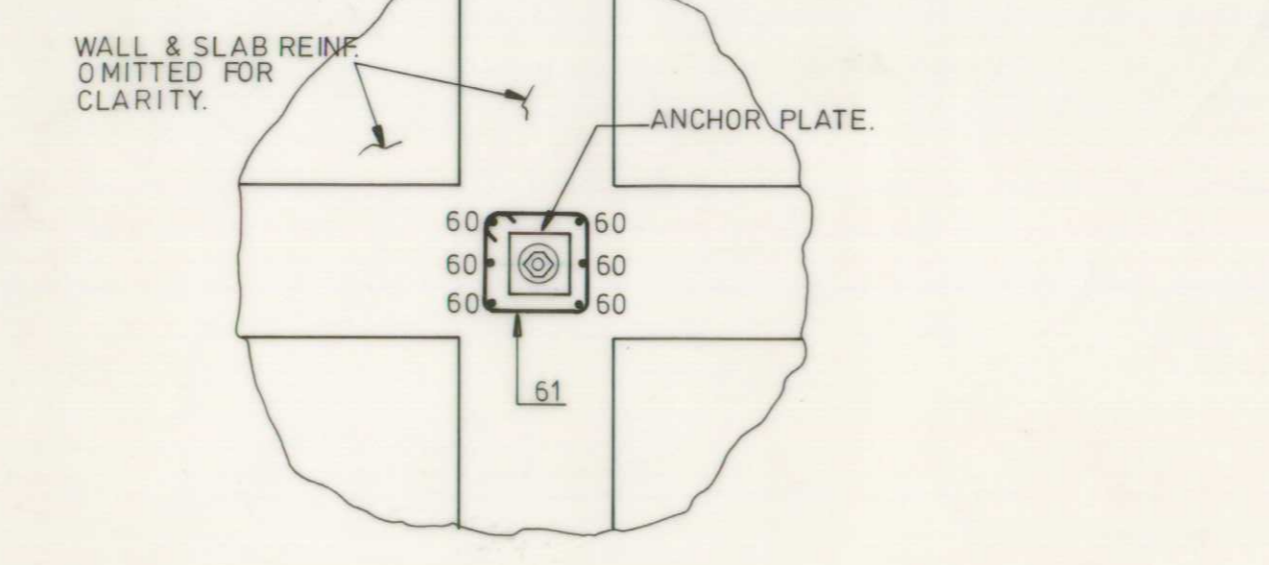
SECTION 6-6
1:50



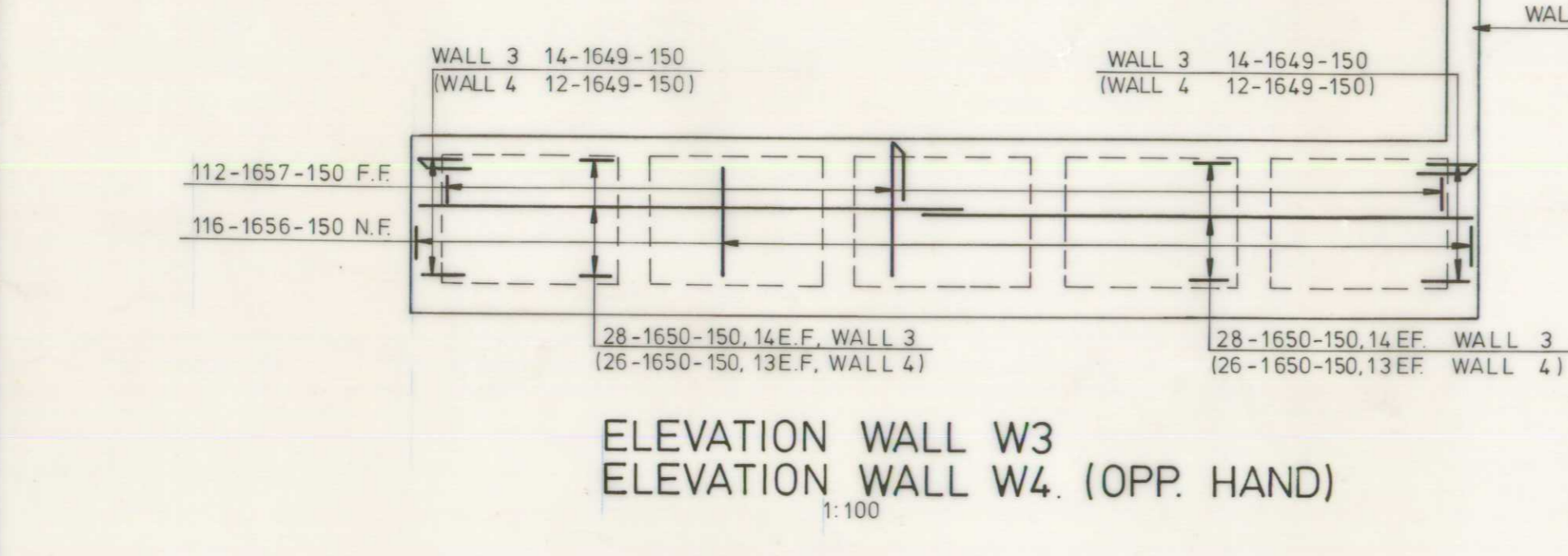
ELEVATION WALL W2
1:100



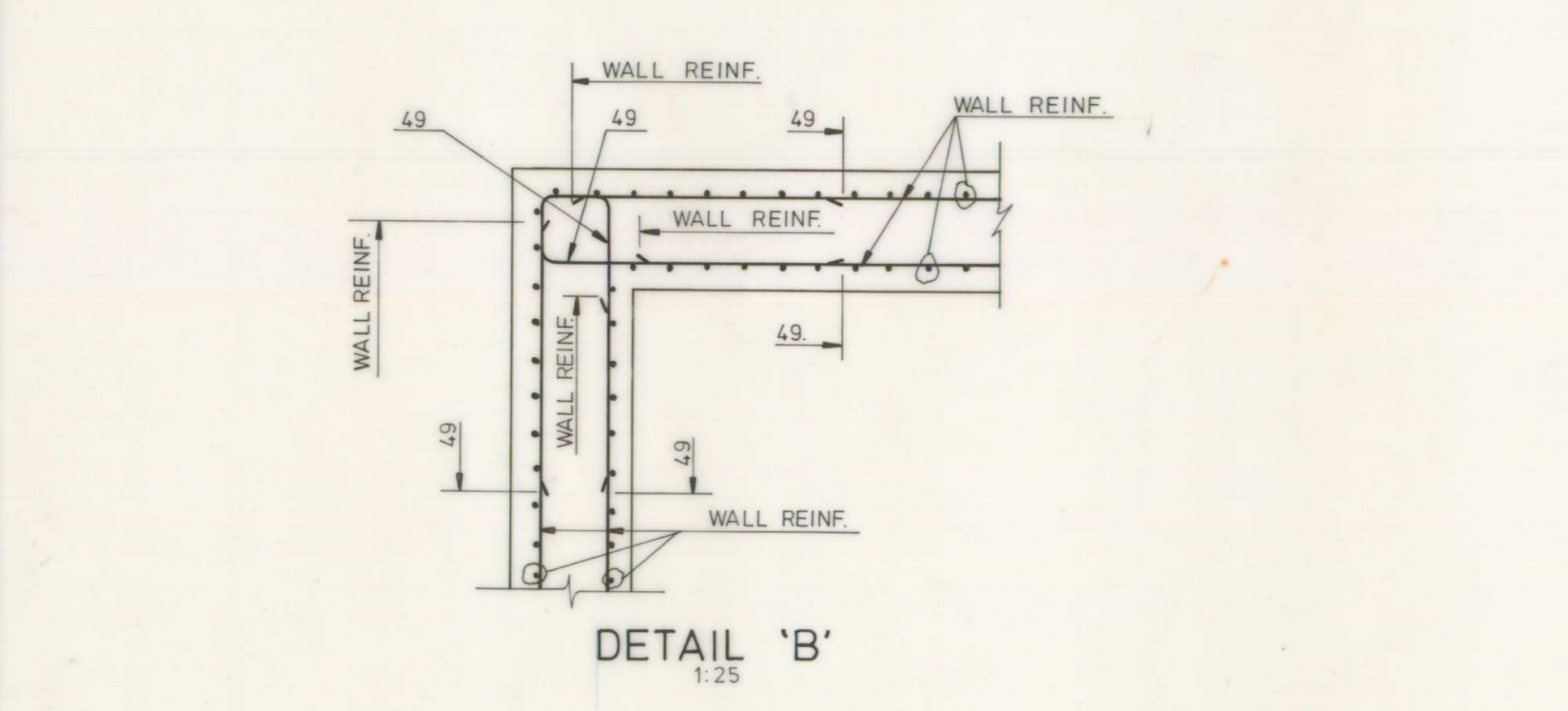
SECTION 7-7
1:50



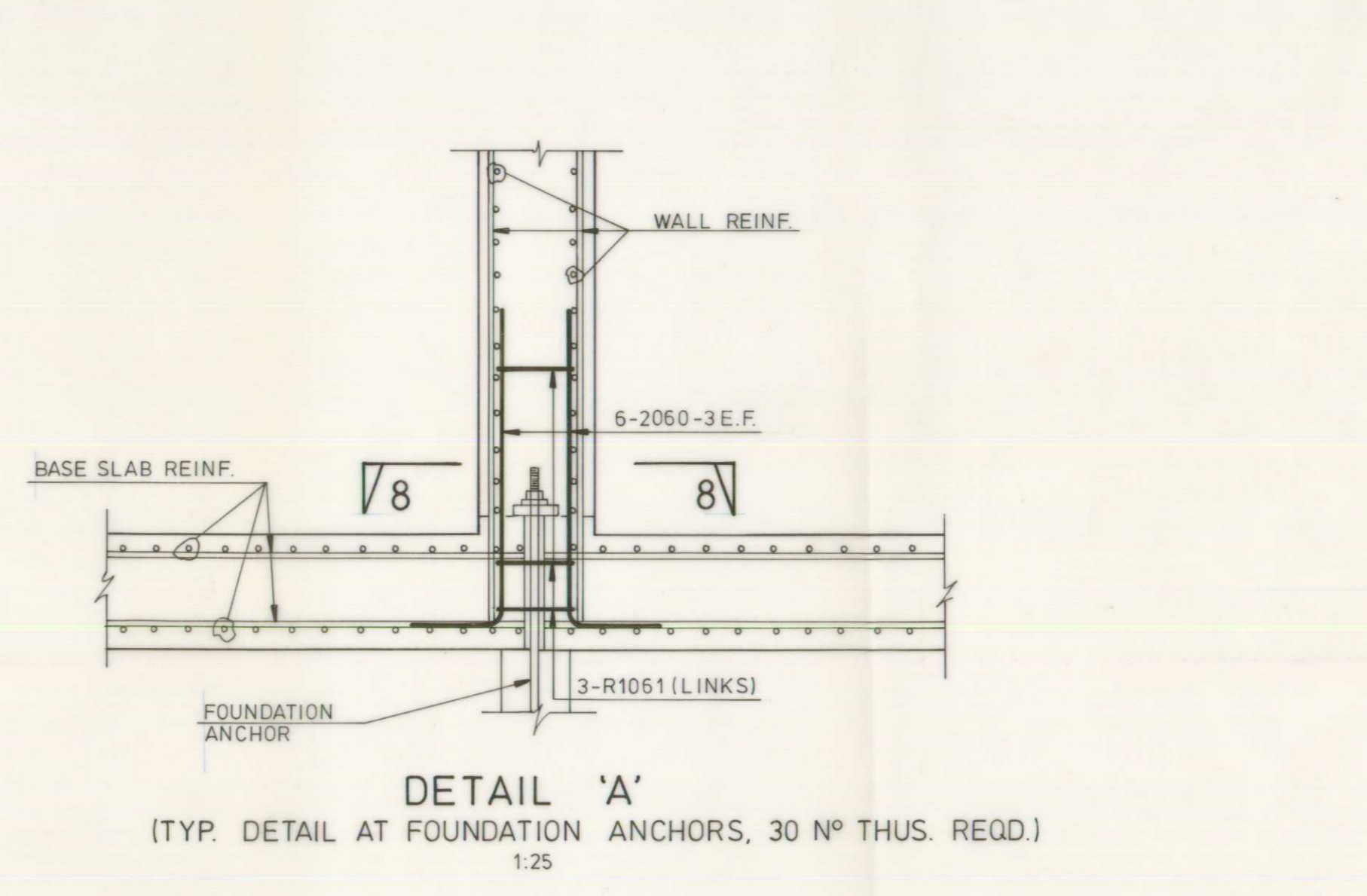
SECTION 8-8
1:25



ELEVATION WALL W3
ELEVATION WALL W4 (OPP. HAND)
1:100



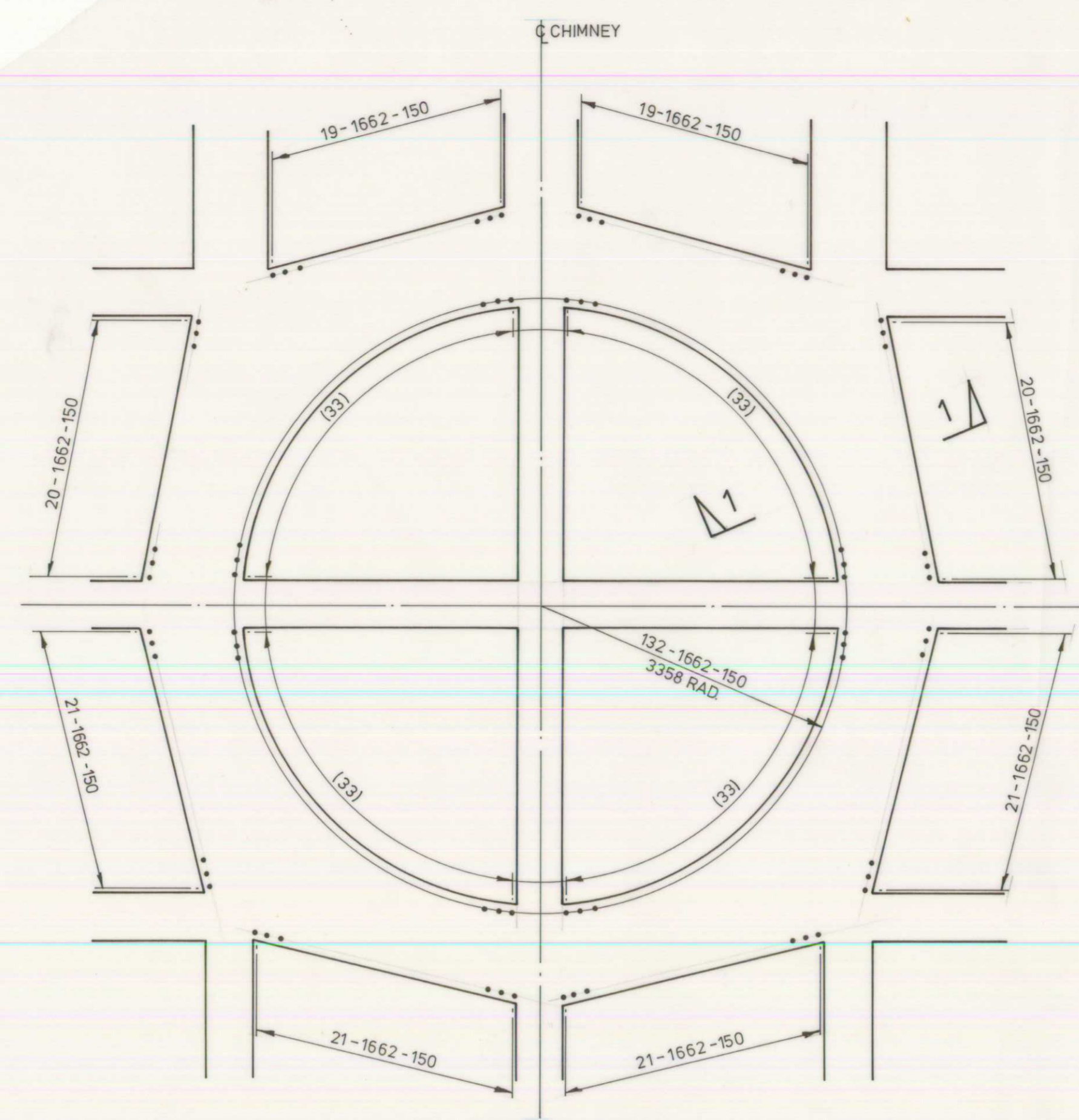
DETAIL 'B'
1:25



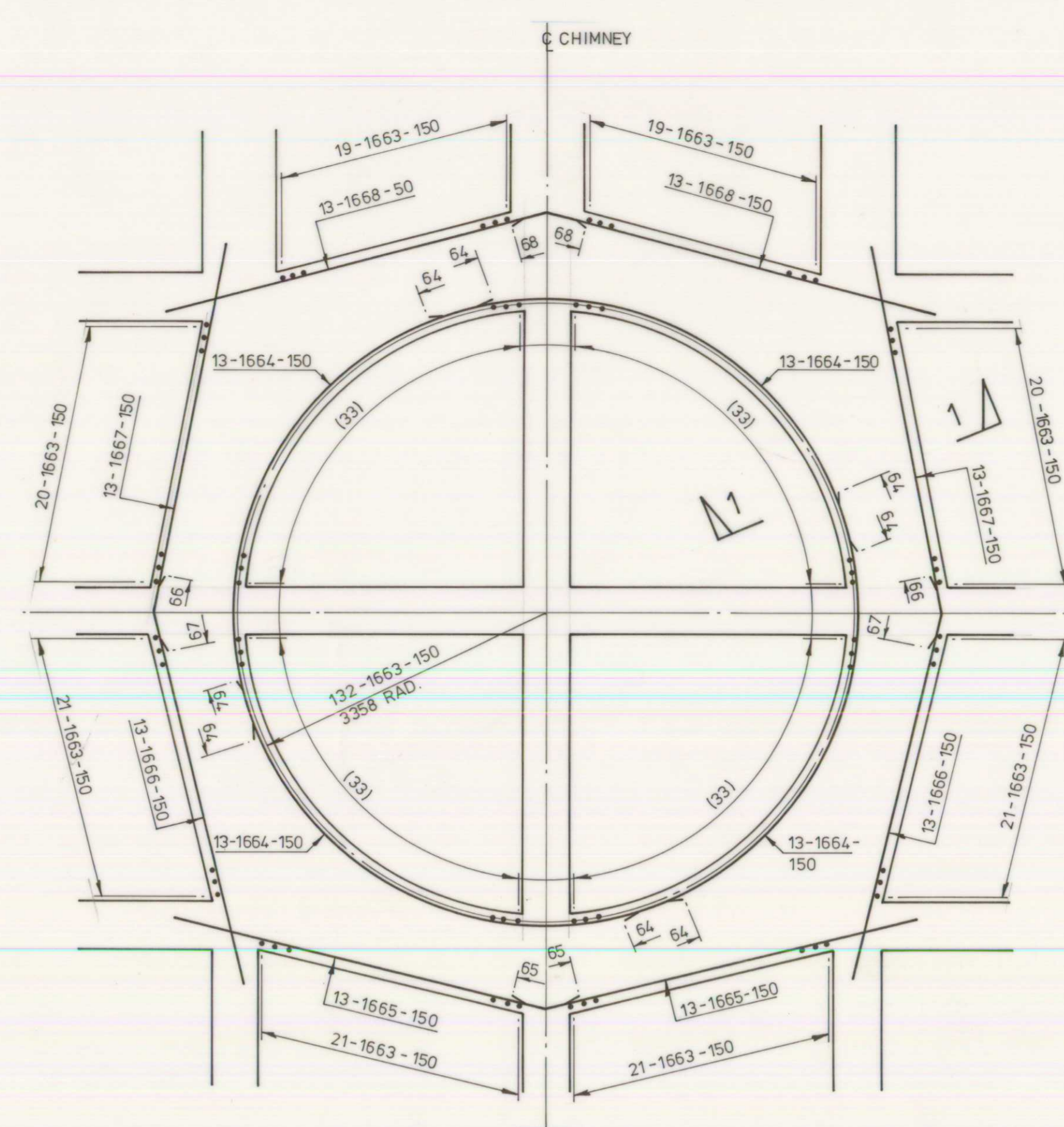
DETAIL 'A'
(TYP. DETAIL AT FOUNDATION ANCHORS, 30° THUS REQD.)
1:25

Rev	Description	Date	Checked
GOVERNMENT OF BERMUDA			
TYNES BAY WASTE TREATMENT FACILITY			
Title			
CHIMNEY FOUNDATION R.C. DETAILS SHEET 1.			
MINISTRY OF WORKS & ENGINEERING			
IN ASSOCIATION WITH			
G. MAUNSELL & PARTNERS CONSULTING ENGINEERS LONDON		KENNEDY & DONKIN CONSULTING ENGINEERS MANCHESTER	
AS SHOWN	Designed	Drawn	PMFN
	Checked	Approved	LEF
K.G.H.			
PROJECT ENGINEER			
Scale			
AS SHOWN			
PROJECT DRAUGHTSMAN			
AUG. 1991			
Drawing Number			
8626 / 606			
Revision			

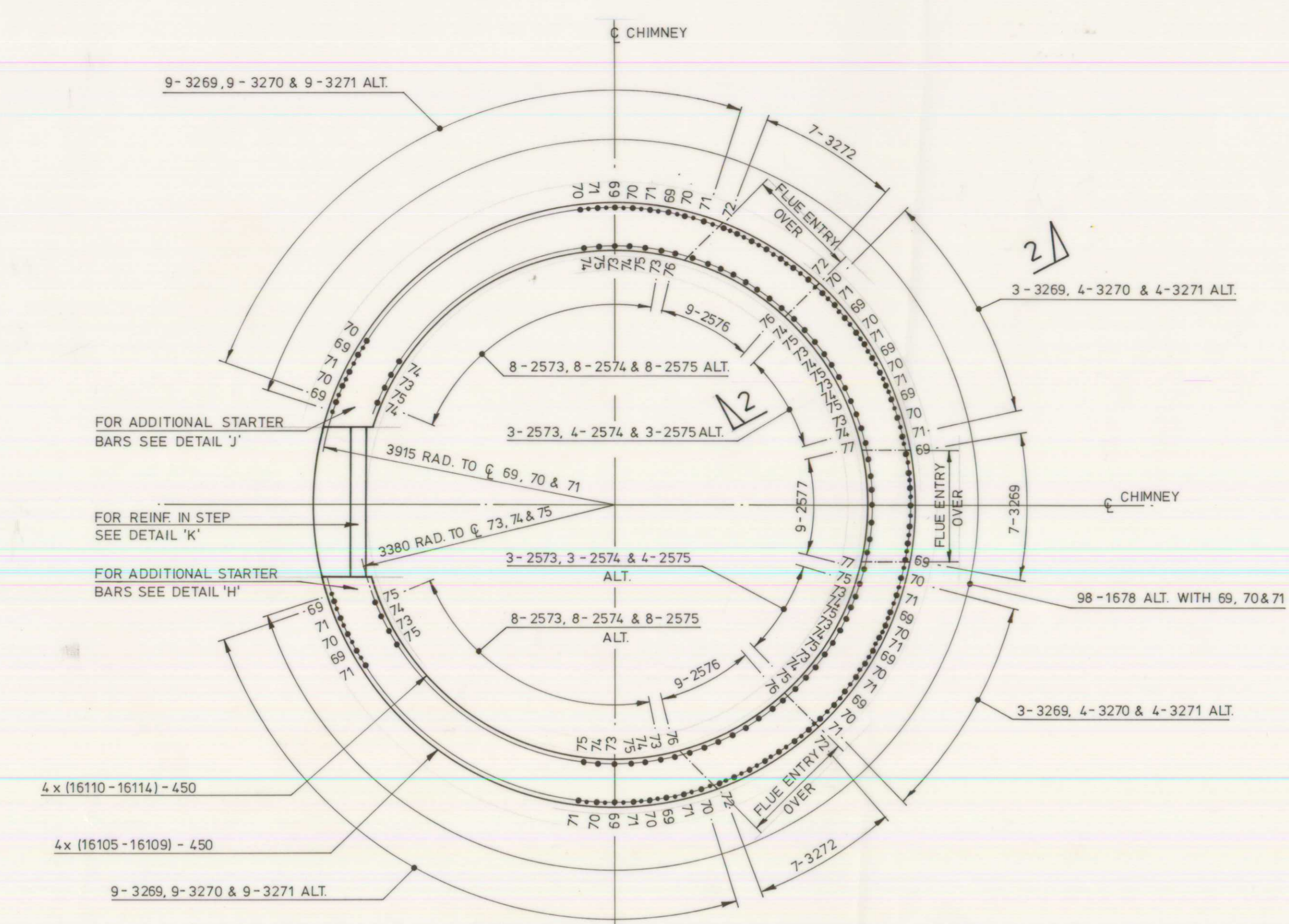
WORKING DRAWING



DETAIL 'C'
(STARTER BARS TO CORE)
1:50



DETAIL 'D'
(CORE REINFORCEMENT)
1:50



DETAIL 'E'
(STARTER BARS TO WINDSHIELD AT LEVEL +16.000)
1:50

REINFORCEMENT NOTES
ALL REINFORCEMENT IS TYPE 2 (T)
UNLESS NOTED OTHERWISE.

NOTATION: $\frac{N}{M} - R/S/T - U/V$
N: NUMBER OF BARS, M: SPACING, R: RADIAL, S: SIDE, T: TOP, U: UNDER, V: LOCATION

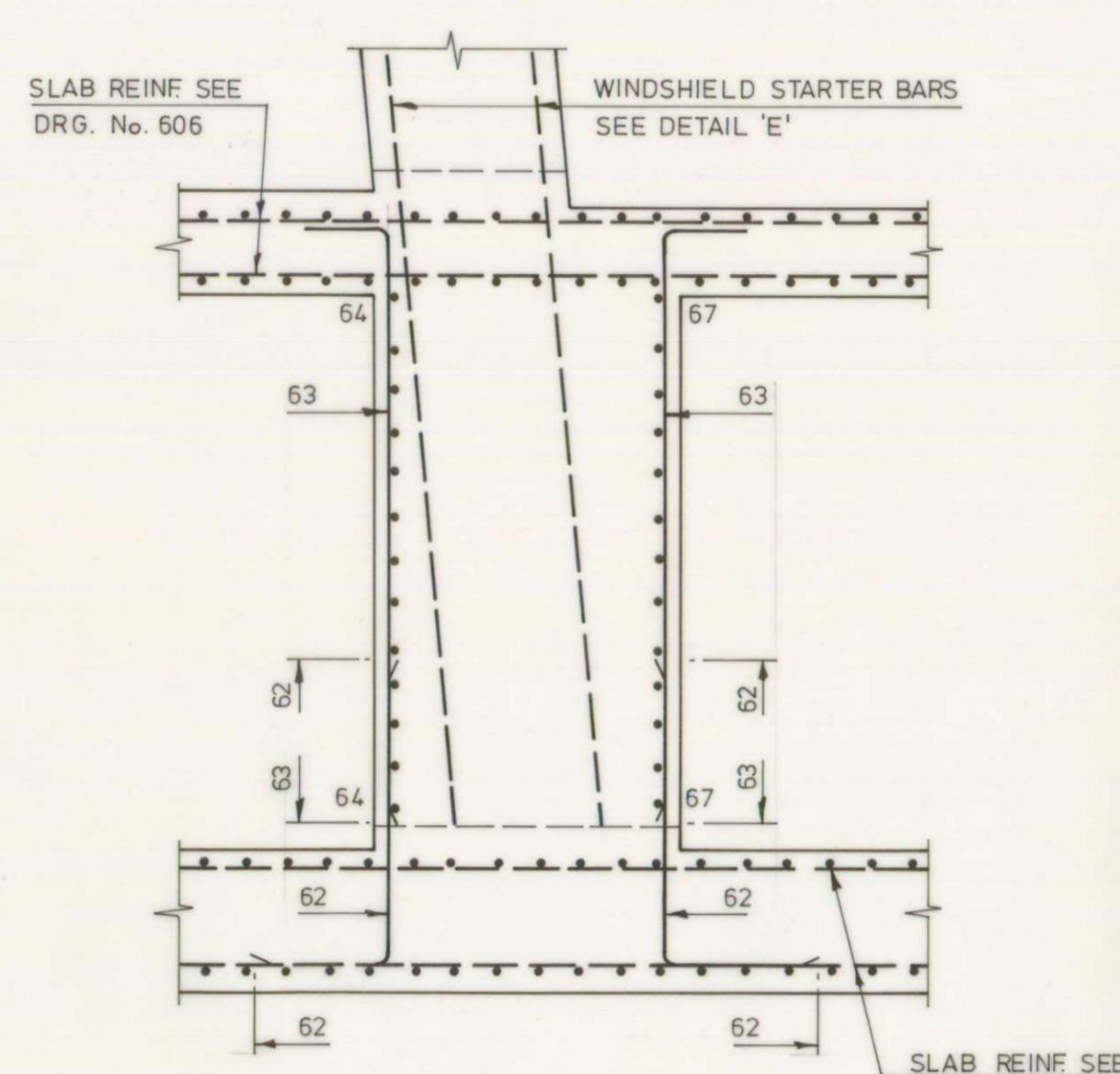
LOCATION ABBREVIATIONS:
T - TOP, B - BOTTOM, NF - NEAR FACE, FF - FAR FACE
EF - EACH FACE, ABR - ALTERNATE BARS REVERSED
ALT - ALTERNATE

BAR SCHEDULE REFERENCE: 607

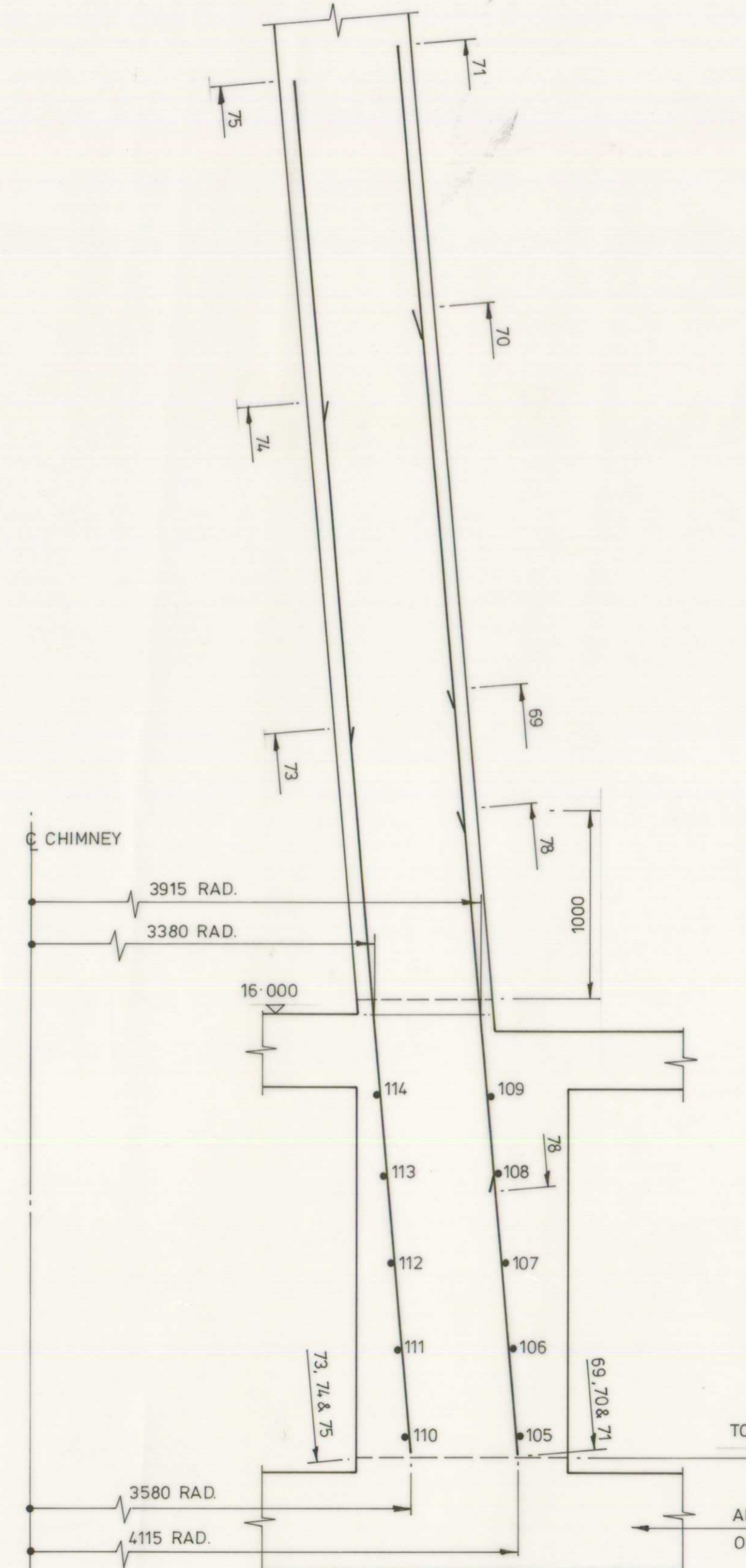
UNLESS NOTED OTHERWISE
COVER TO REINFORCEMENT TO BE 50mm
LAPS TO BE NOT LESS THAN THE FOLLOWING:

40	32	25	20	16	12	10	8
1500	1200	950	750	600	450	400	350

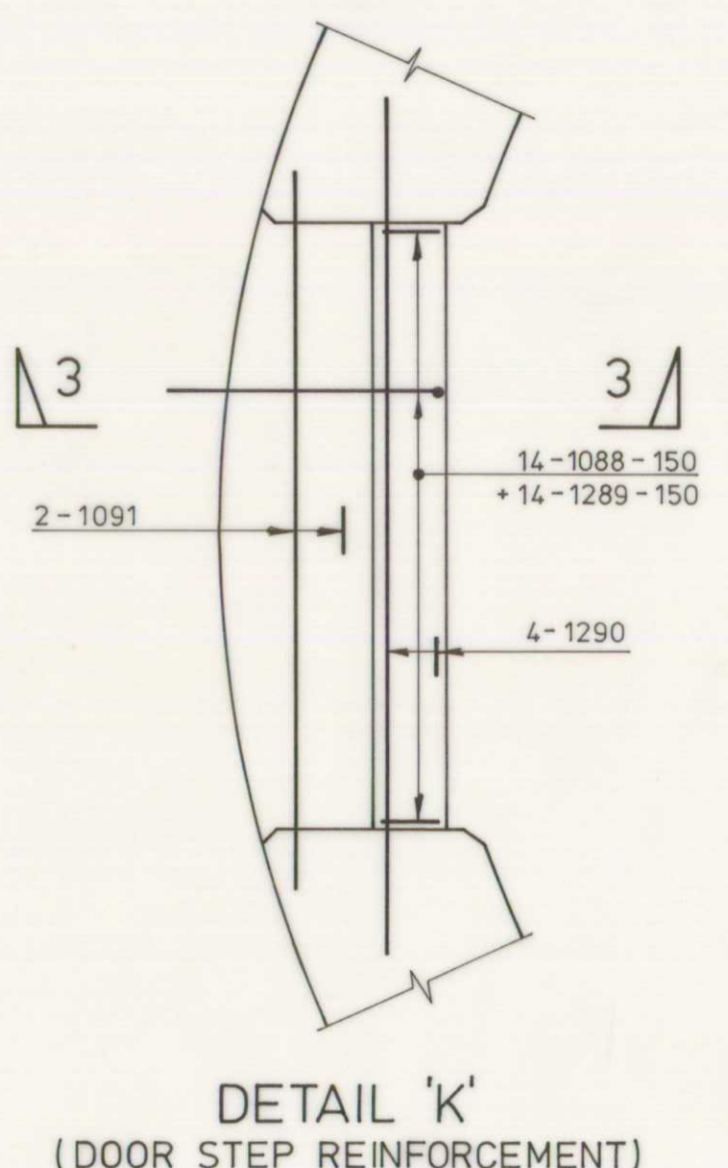
ABOVE VALUES TO BE FACTORED BY 1.4 OR 2.0
WHERE NECESSARY TO COMPLY WITH BS 8110
PART 1: 1985 CLAUSE 3.12.8.13.



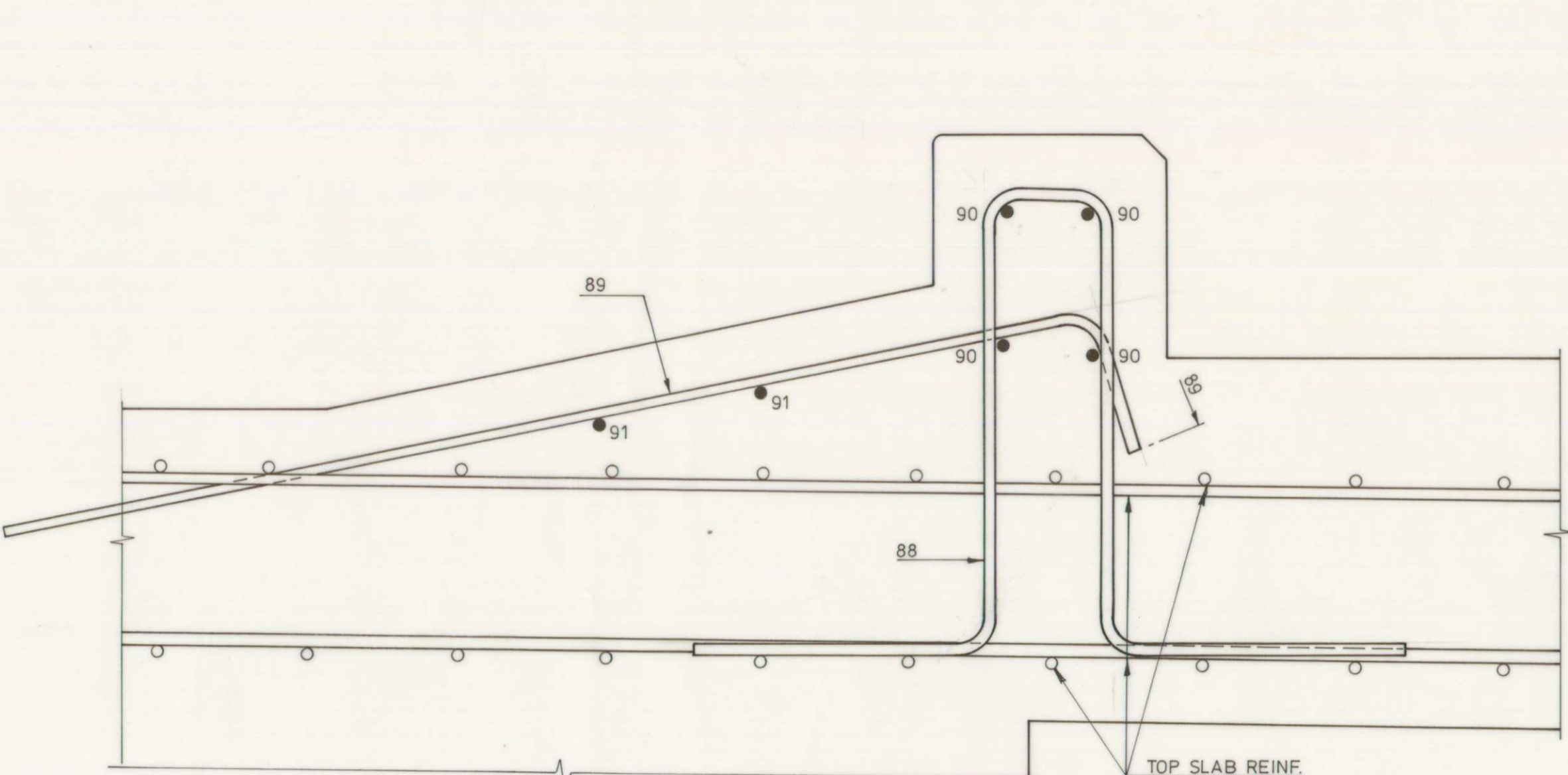
SECTION 1-1
1:25



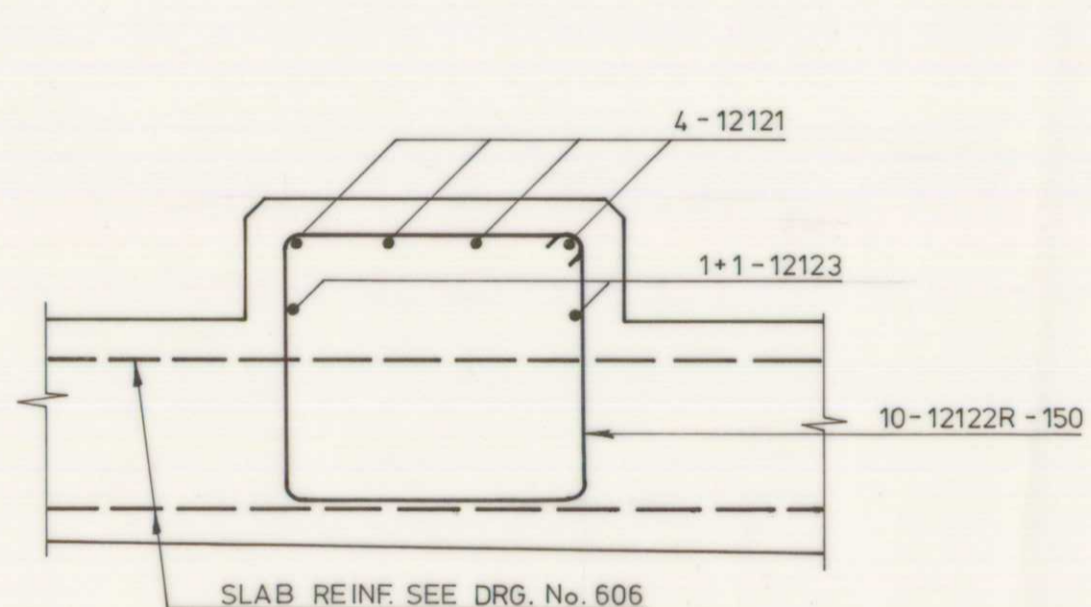
SECTION 2-2
1:25



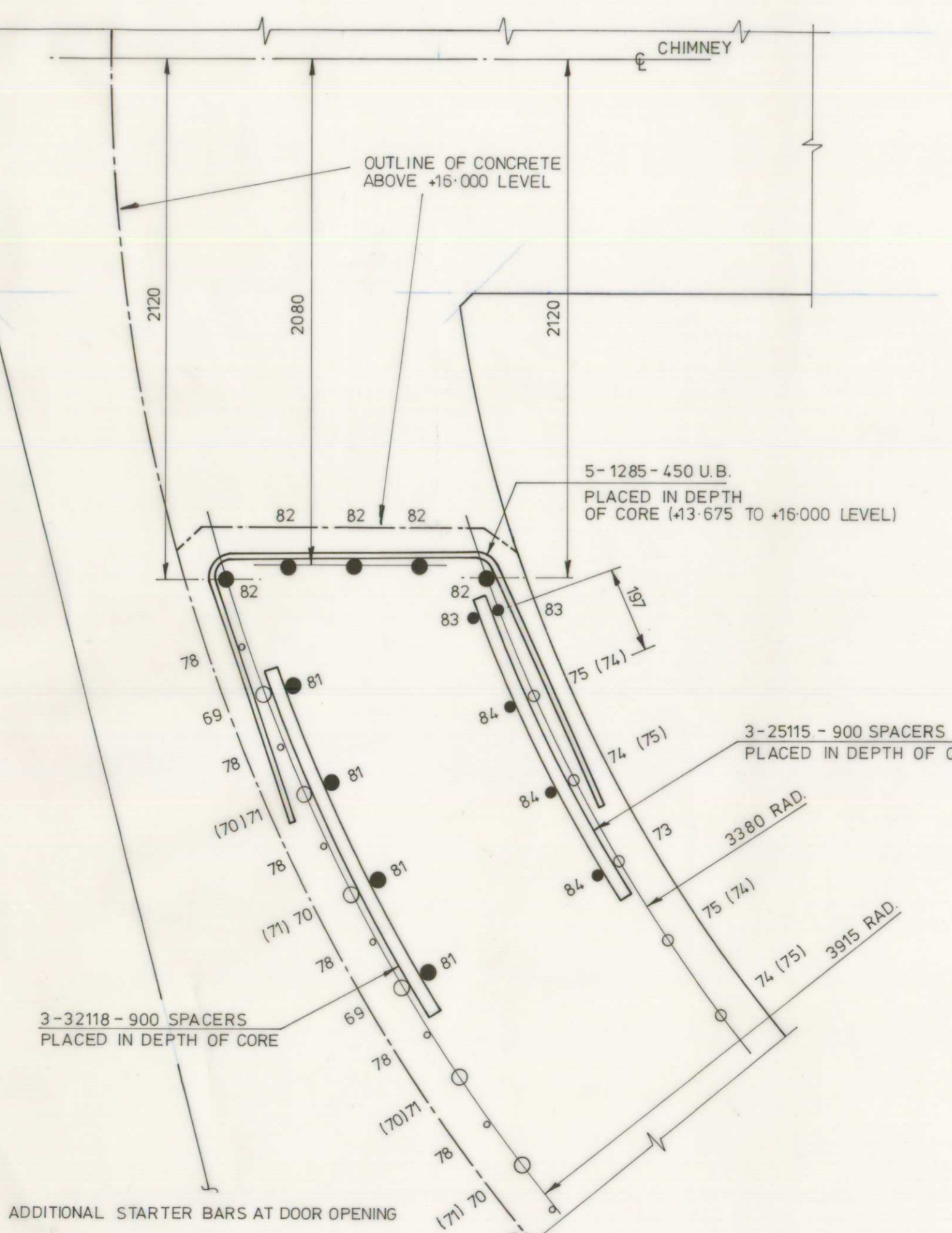
DETAIL 'K'
(DOOR STEP REINFORCEMENT)
1:25



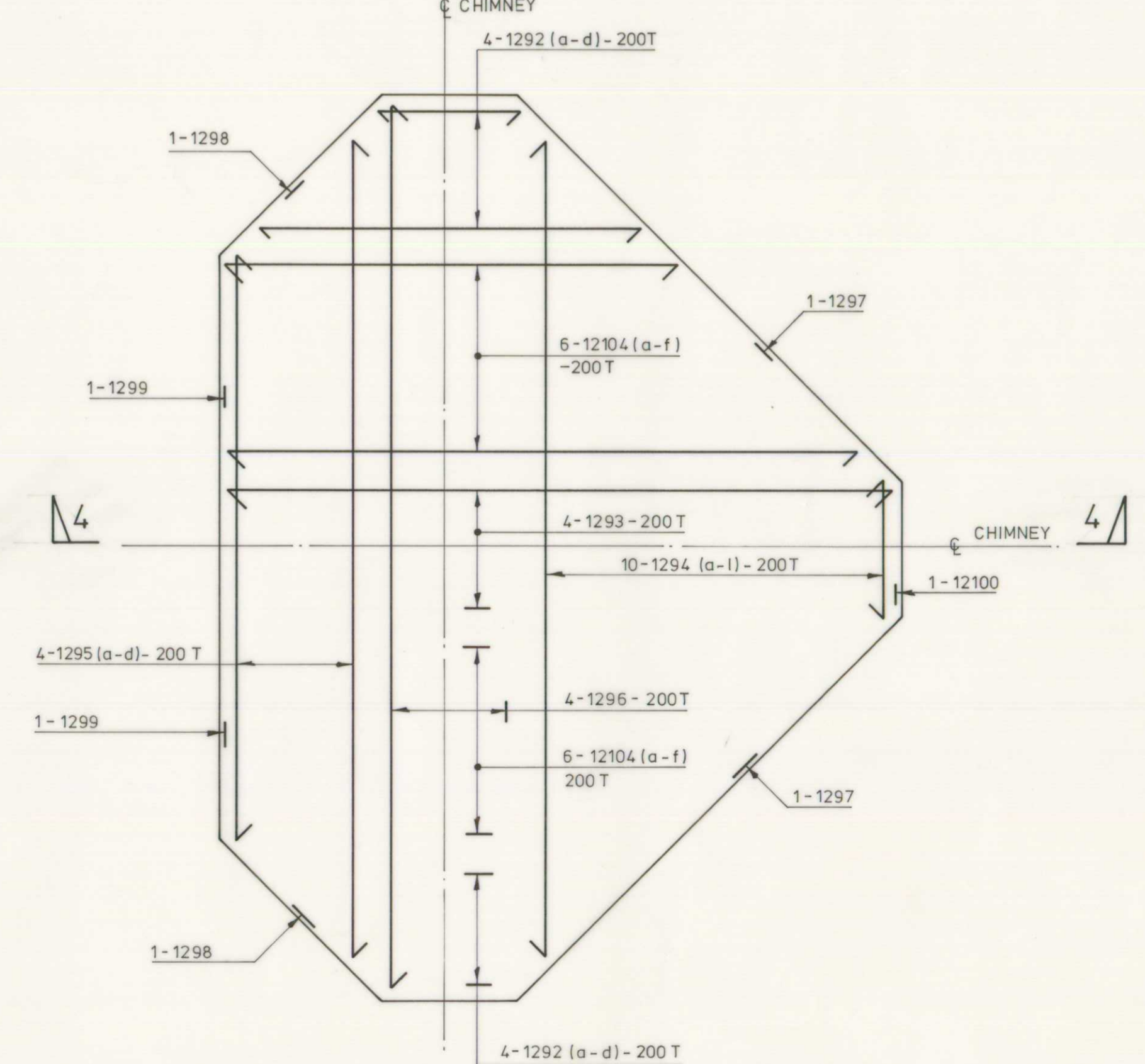
SECTION 3-3
1:5



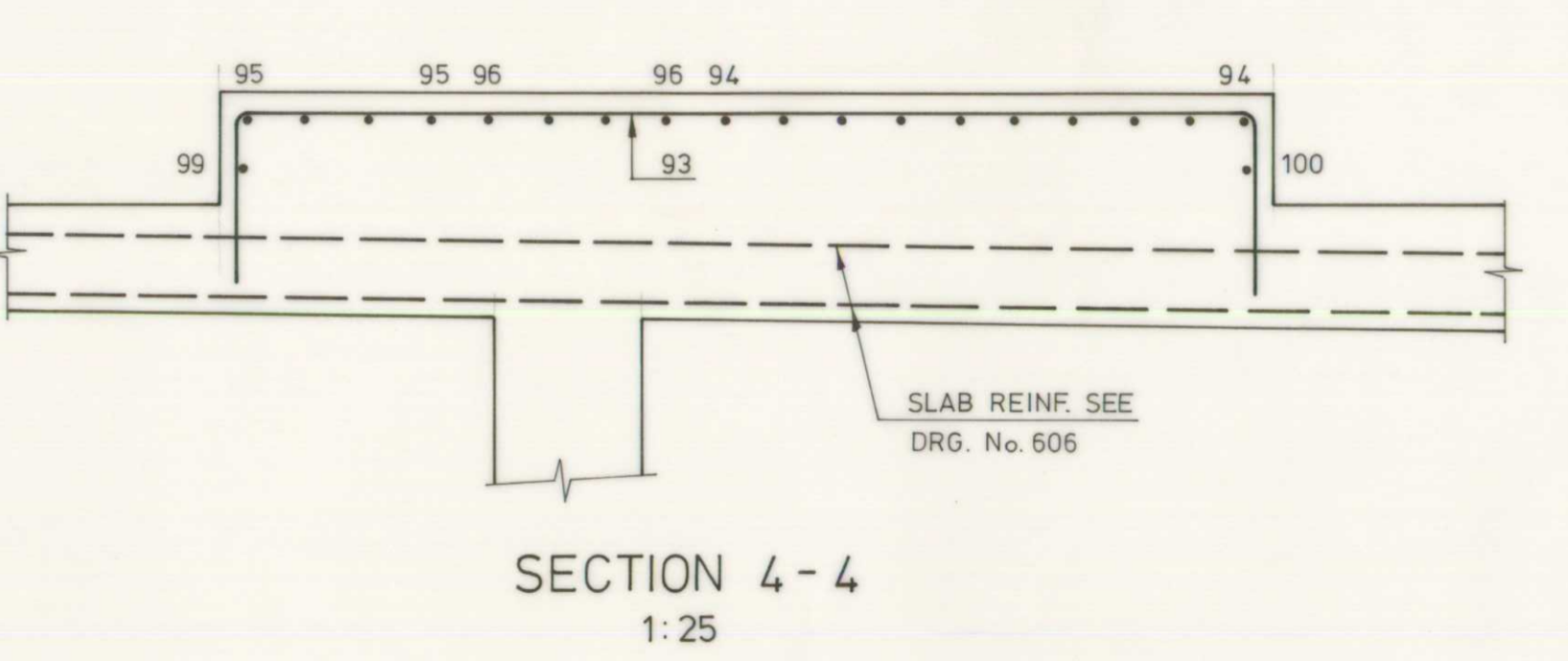
DETAIL 'L'
(FLUE SUPPORT PLINTH 3 No. THUS)
1:10



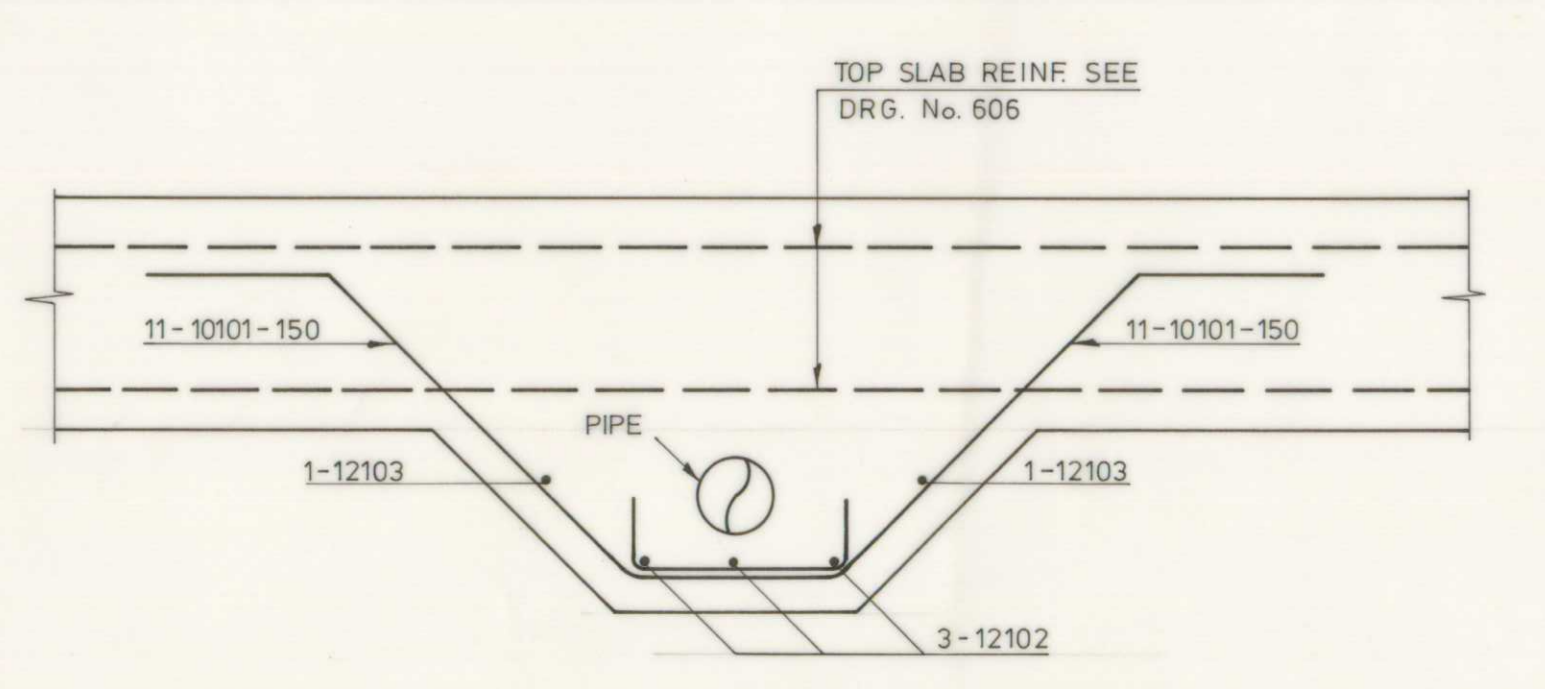
DETAIL 'H' (DETAIL 'J' OPP. HAND) AT LEVEL +16.000
NOTE: BARS CALLED UP IN BRACKETS ARE FOR DETAIL 'J' 1:10



DETAIL 'F'
(PLINTH REINFORCEMENT)
1:25



SECTION 4-4
1:25



DETAIL 'G'
(THICKENING IN TOP SLAB AROUND DRAINAGE PIPES 2 No. THUS)
1:10

Rev	Description	Date	Checked
GOVERNMENT OF BERMUDA			
TYNES BAY WASTE TREATMENT FACILITY			
Title			
CHIMNEY FOUNDATION R.C. DETAILS SHEET 2			
MINISTRY OF WORKS & ENGINEERING			
IN ASSOCIATION WITH			
G. MAUNSELL & PARTNERS CONSULTING ENGINEERS LONDON		KENNEDY & DONKIN CONSULTING ENGINEERS MANCHESTER	
Scale:	AS SHOWN	Designed:	Drawn: P.M.N.
		Checked:	Approved: L.E.F.
WORKING DRAWING		PROJECT ENGINEER: <i>[Signature]</i>	Date: AUG 1991
PROJECT DRAUGHTSMAN: <i>[Signature]</i>		Drawing Number: 8626 / 607	Revision:

(CONTINUED BELOW RIGHT)

THIS DRAWING SHALL BE READ IN CONJUNCTION WITH DRS'S N° 8626/601-607 AND DRS N° 8626/609 & 610.

REINFORCEMENT NOTES

ALL REINFORCEMENT IS TYPE 2 (T) UNLESS NOTED OTHERWISE.

NOTATION: LOCATION:

LOCATION ABBREVIATIONS:
 T - TOP, B - BOTTOM, NF - NEAR FACE, FF - FAR FACE,
 EF - EACH FACE, ABR - ALTERNATE BARS REVERSED,
 ALT - ALTERNATE, OF - OUTER FACE, IF - INNER FACE

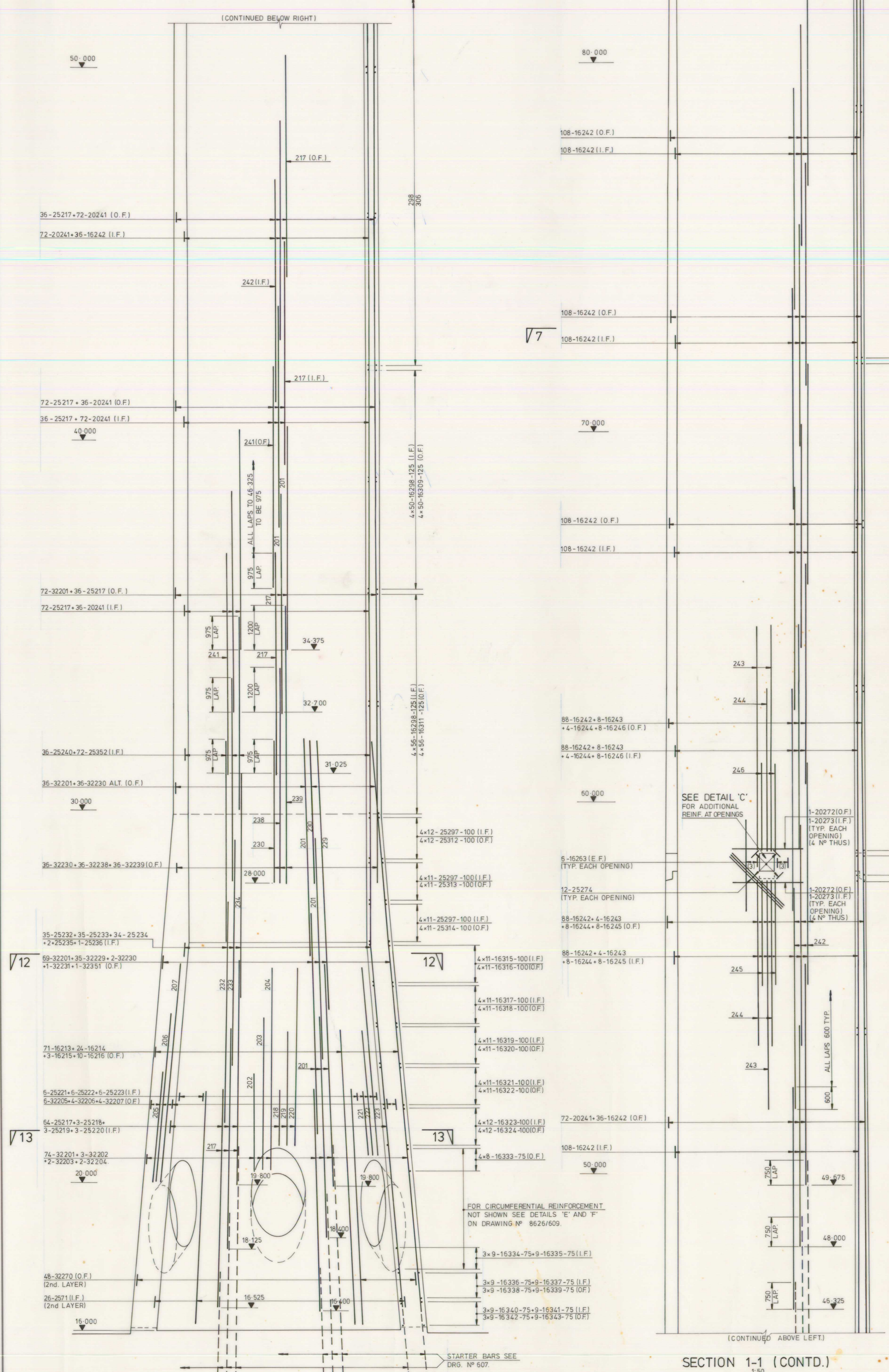
BAR SCHEDULE REFERENCE: 608

UNLESS NOTED OTHERWISE COVER TO REINFORCEMENT TO BE: 50

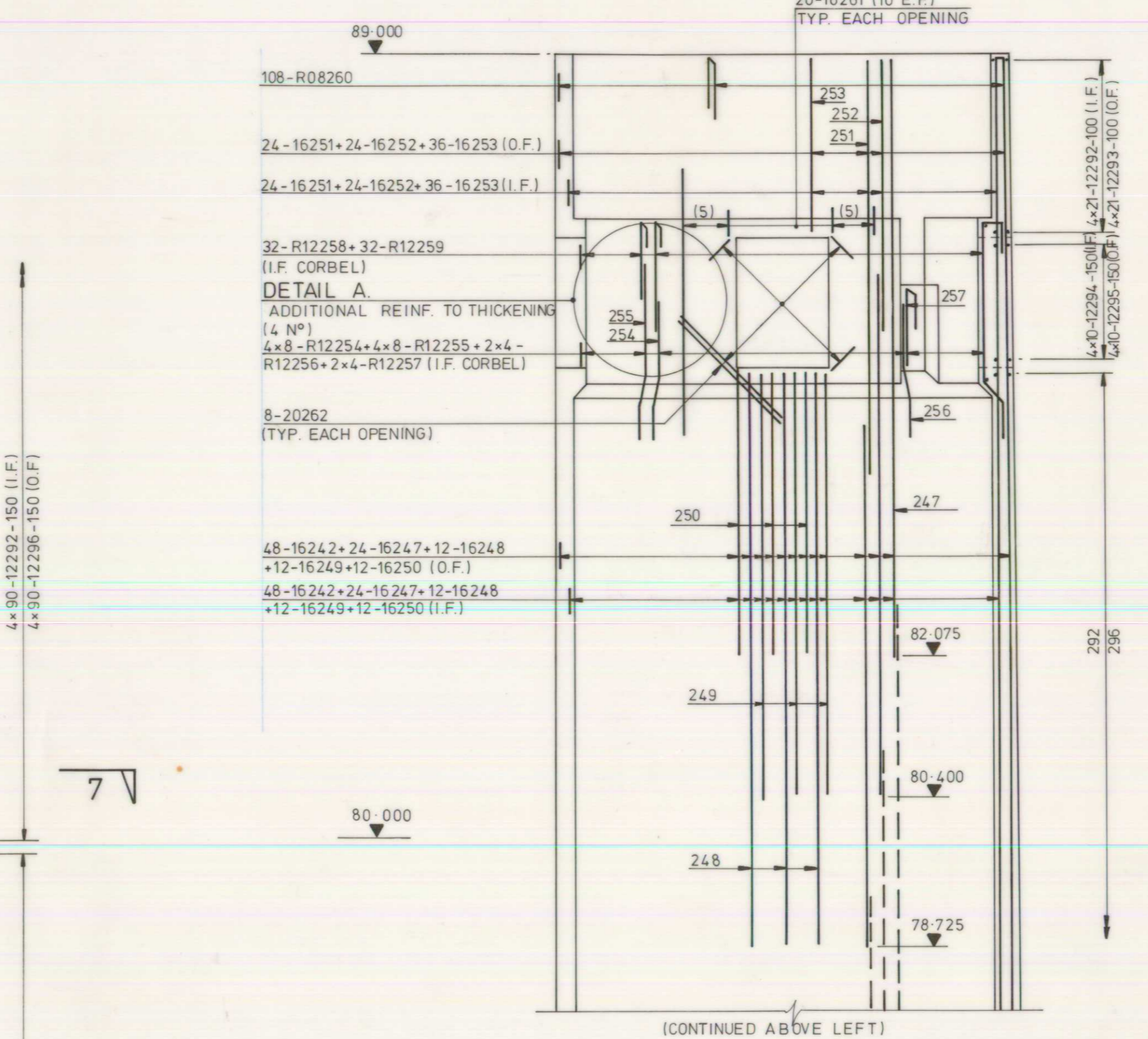
UNLESS NOTED OTHERWISE LAPS TO BE NOT LESS THAN THE FOLLOWING:

40	32	25	20	16	12	10	8
1500	1200	950	750	600	450	400	350

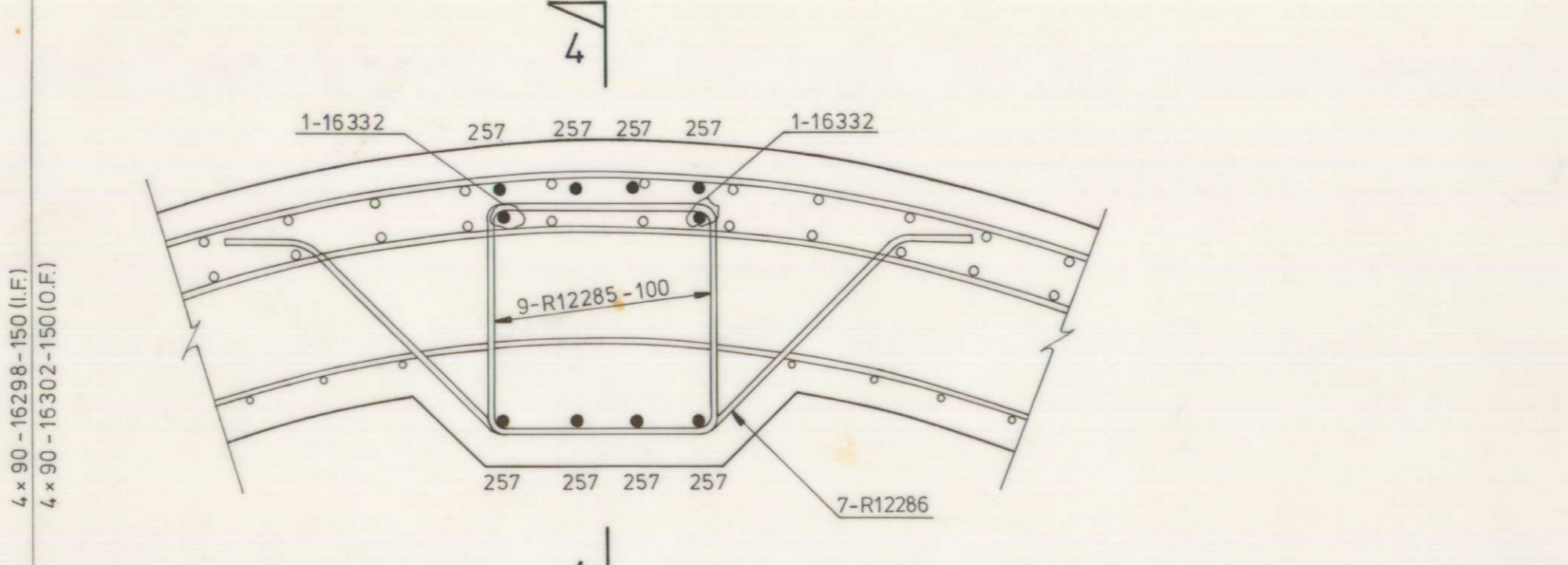
ABOVE VALUES TO BE FACTORED BY 1.4 OR 2.0 WHERE NECESSARY TO COMPLY WITH BS 8110 PART 1 - 1985 CLAUSE 3.12.8.13.



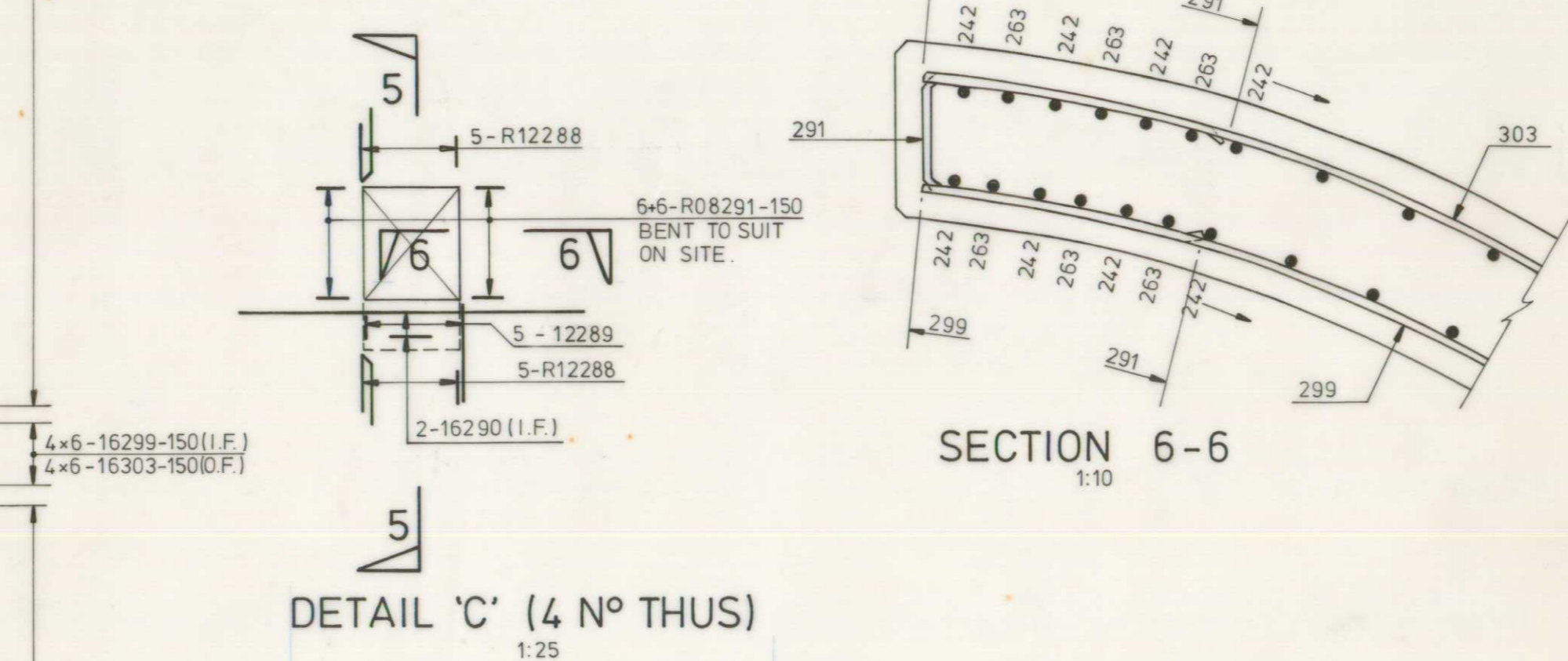
SECTION 1-1
1:50



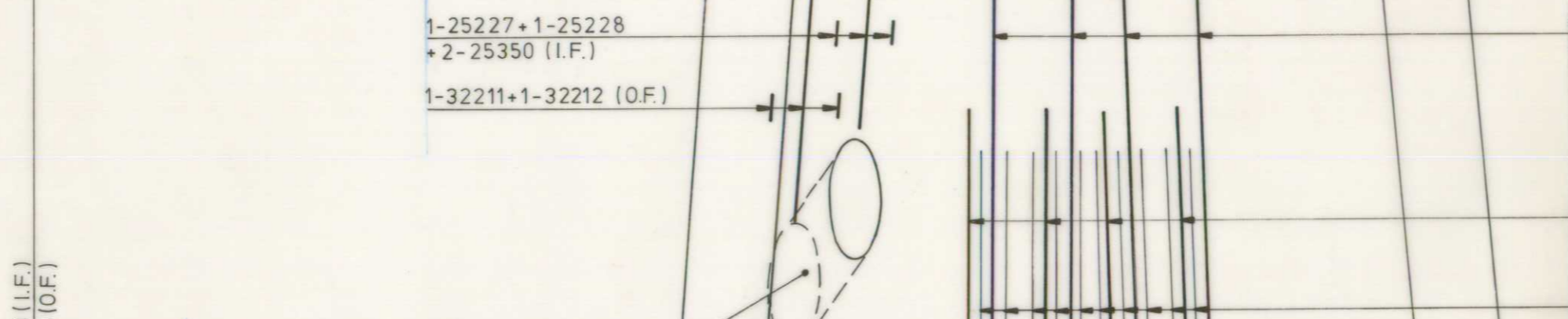
SECTION 1-1 (CONT'D.)
1:50



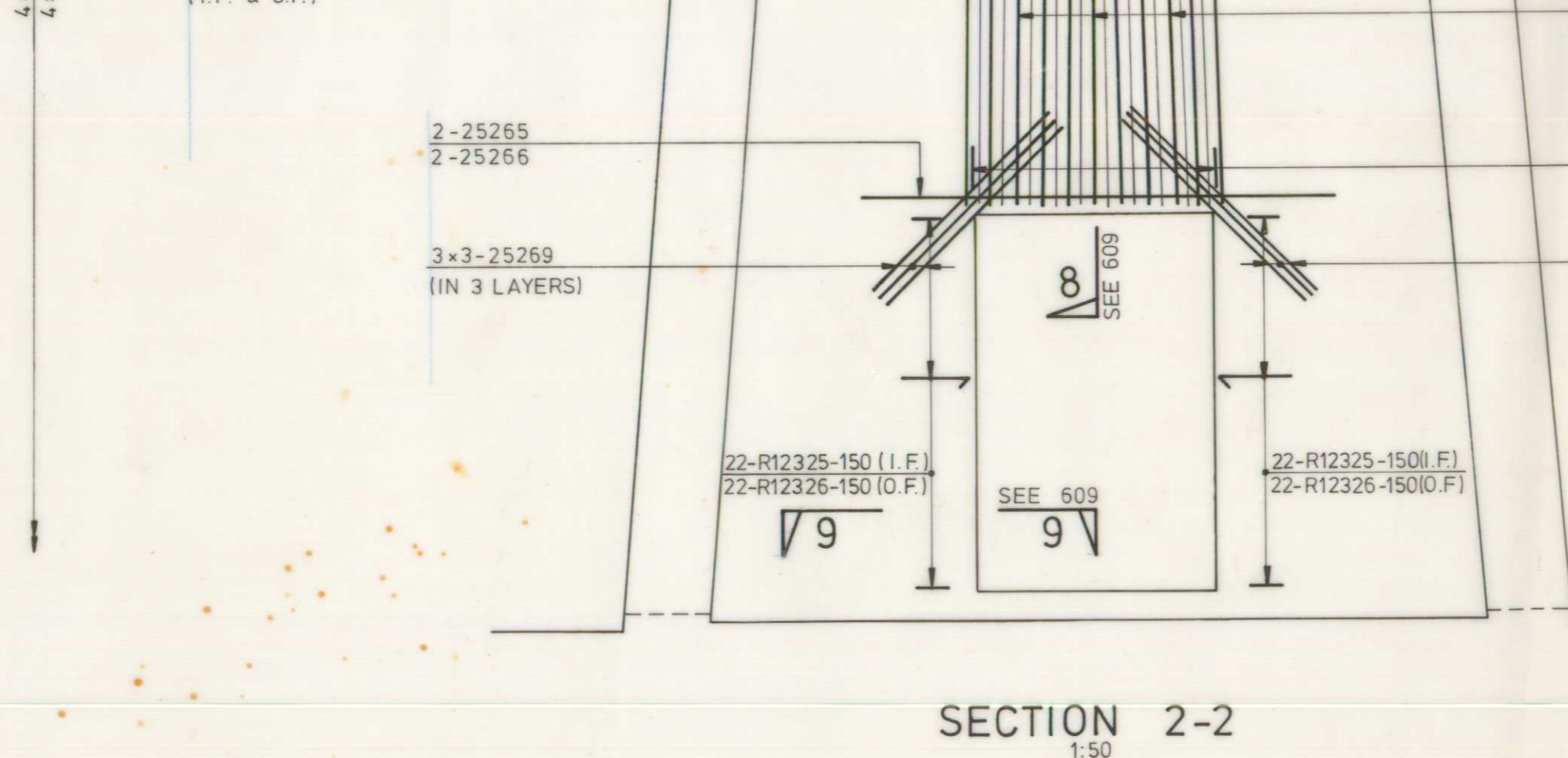
DETAIL 'A'
1:50



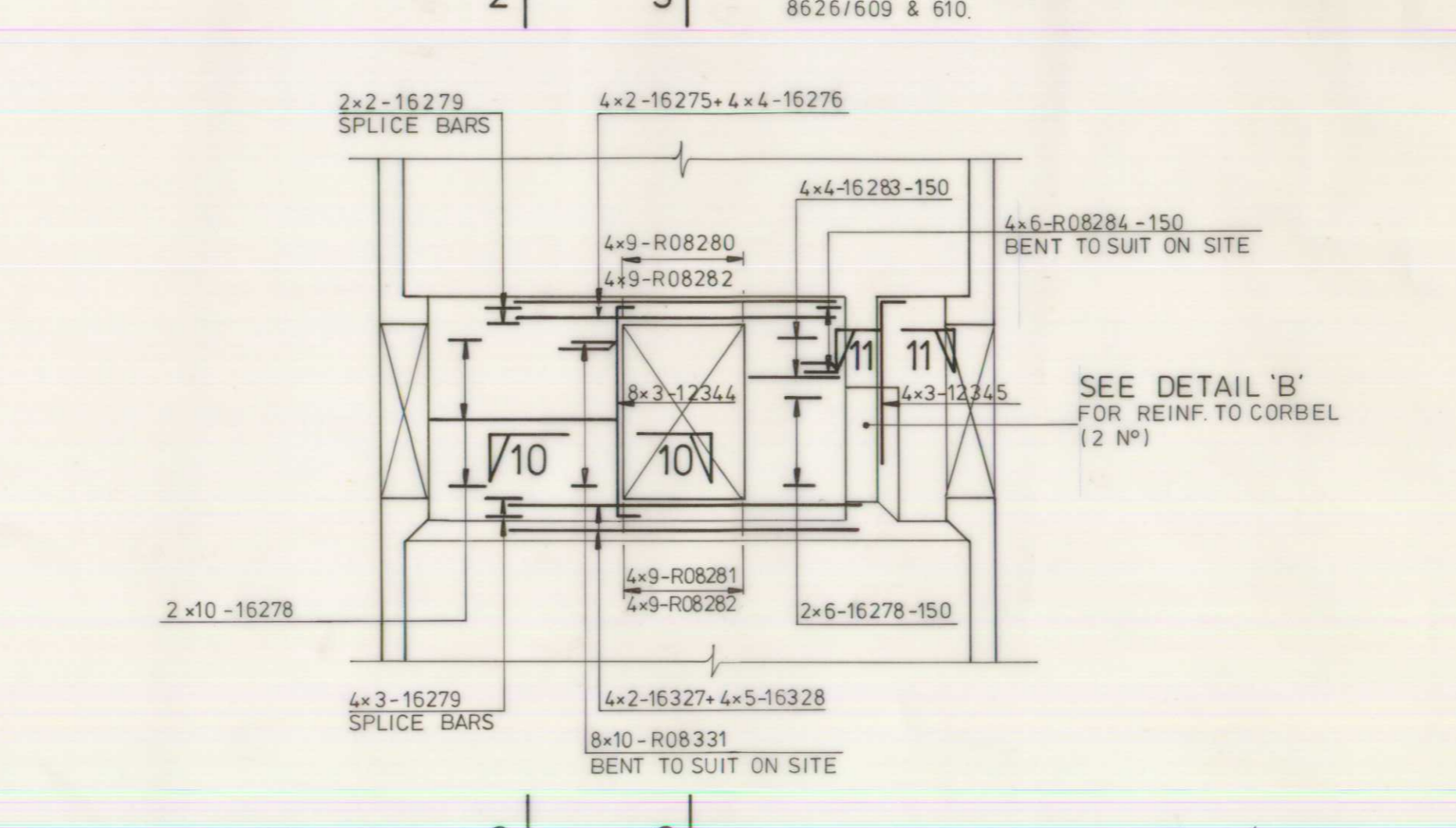
DETAIL 'B' (2 N° THUS)
1:10



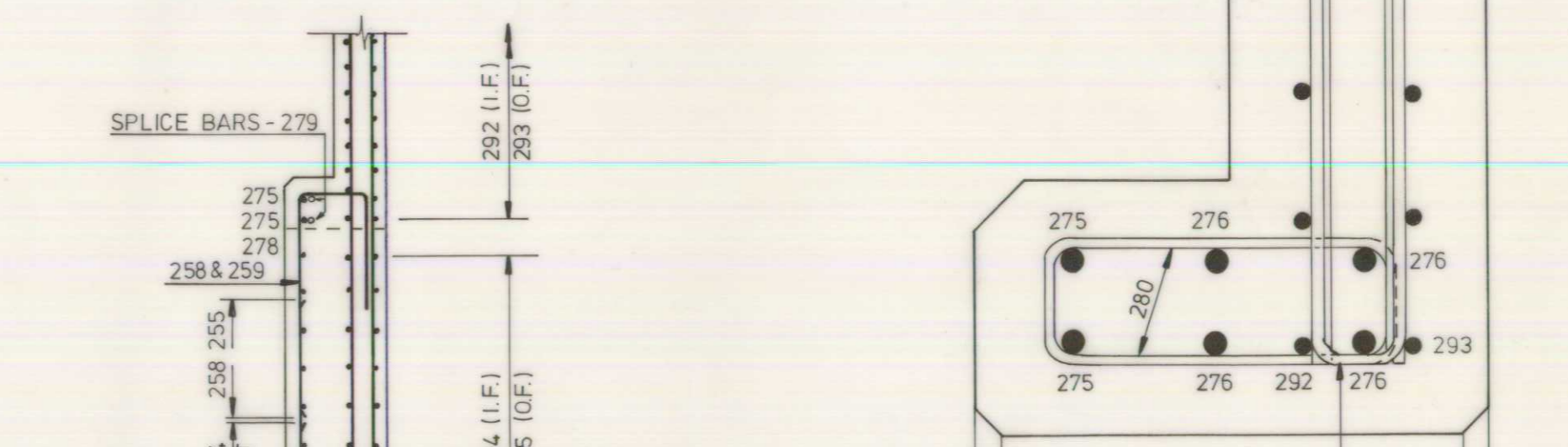
DETAIL 'C' (4 N° THUS)
1:25



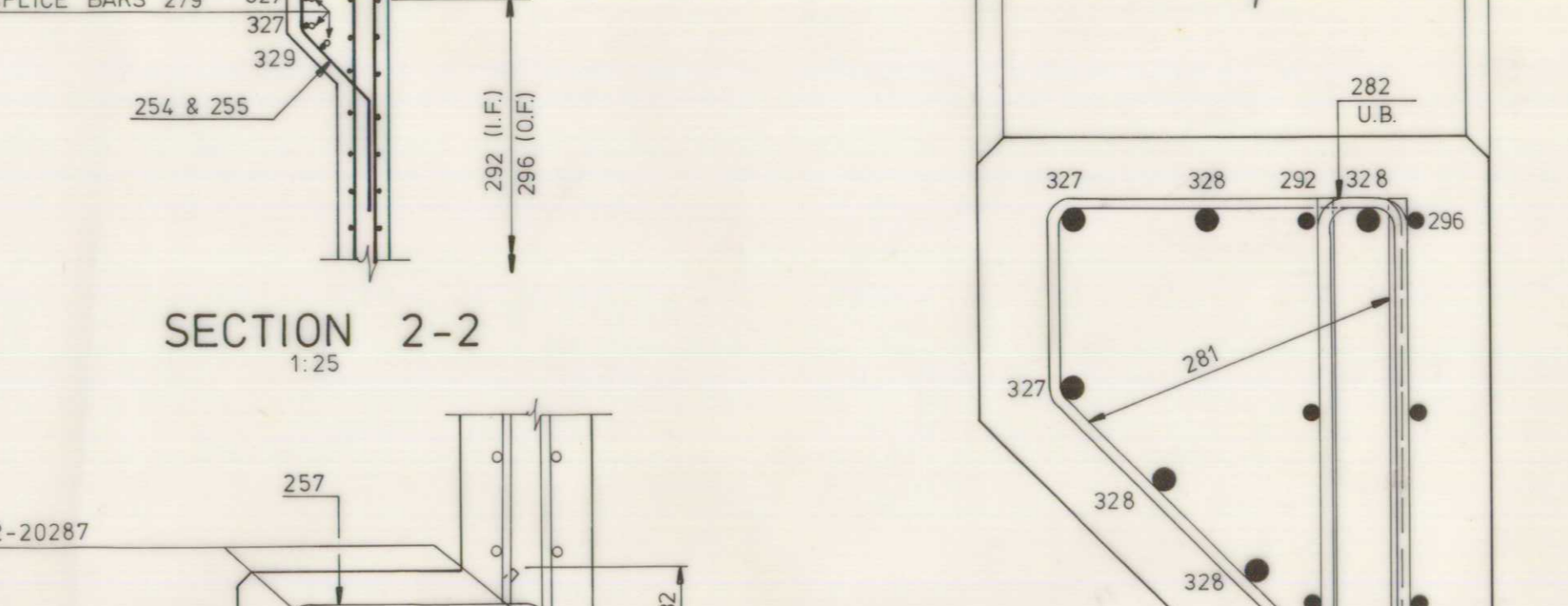
SECTION 2-2
1:50



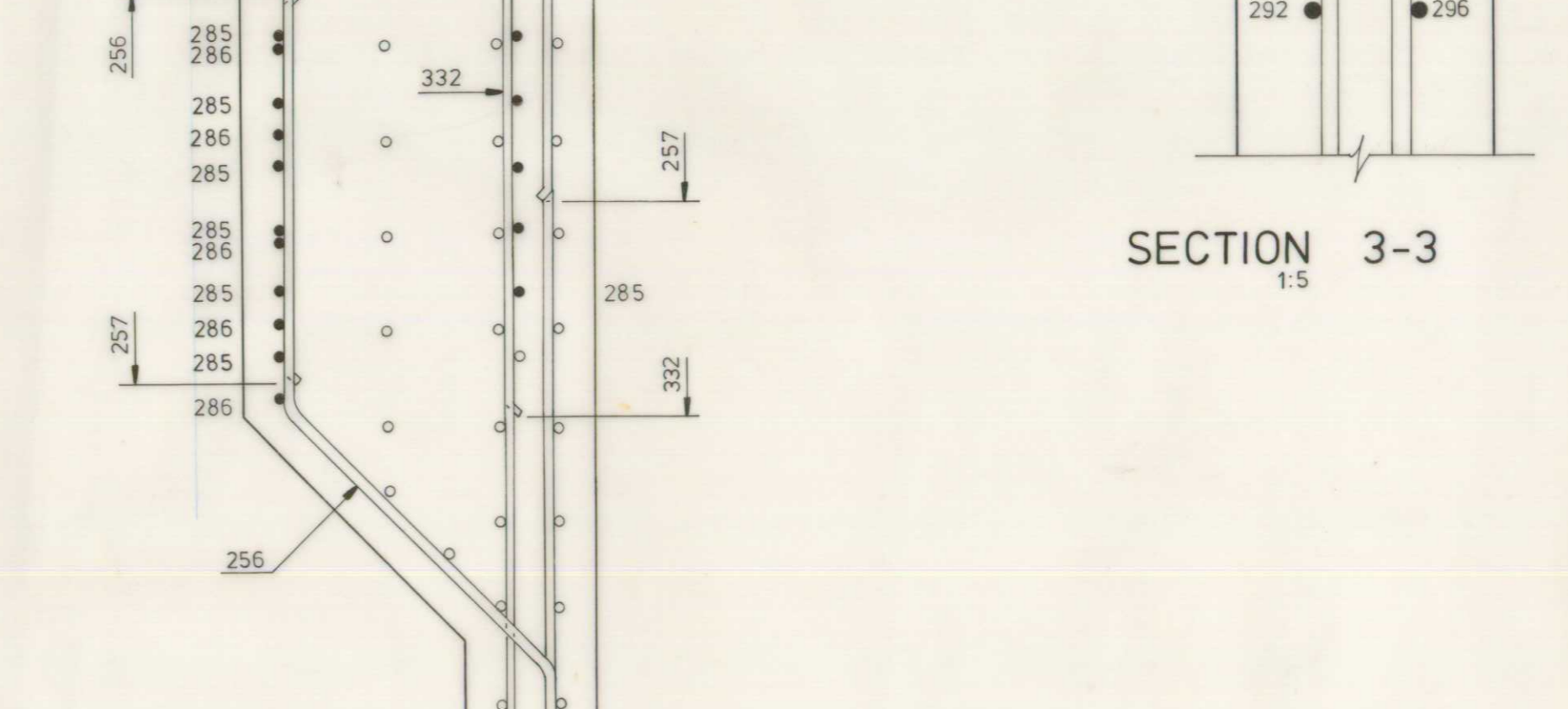
DETAIL 'A'
1:50



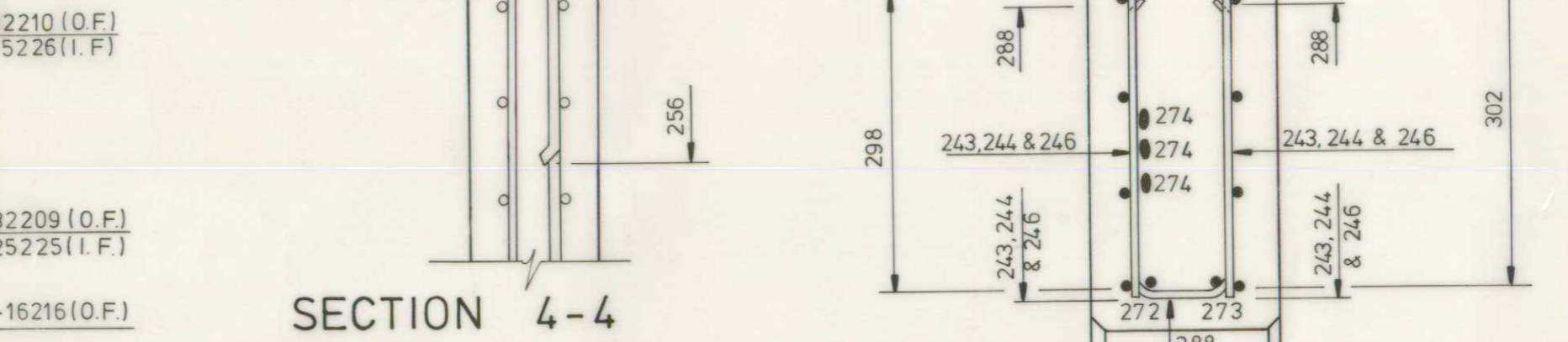
SECTION 2-2
1:25



SECTION 3-3
1:5



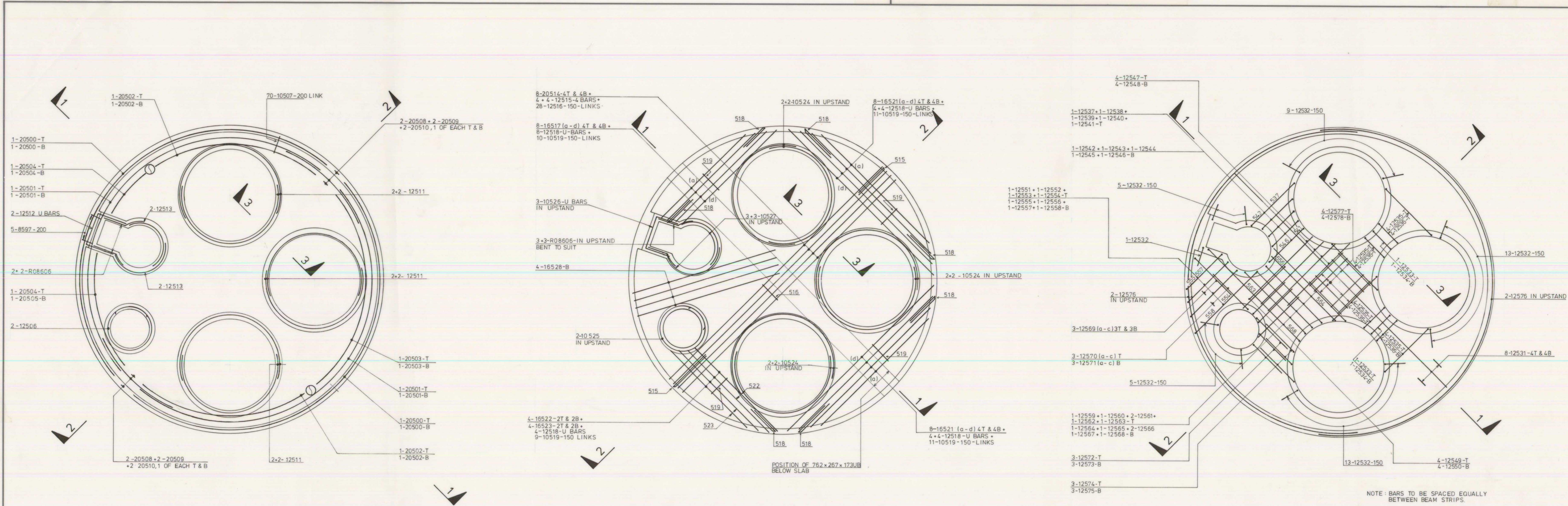
SECTION 4-4



SECTION 5-5
1:10

Rev	Description	Date	Checked
GOVERNMENT OF BERMUDA			
TYNES BAY WASTE TREATMENT FACILITY			
Title: CHIMNEY WINDSHIELD R.C. DETAILS SHEET 1.			
MINISTRY OF WORKS & ENGINEERING			
IN ASSOCIATION WITH			
G. MAUNSELL & PARTNERS CONSULTING ENGINEERS LONDON		KENNEDY & DONKIN CONSULTING ENGINEERS MANCHESTER	
Scale:	AS SHOWN	Designed:	Drawn: PMCN
Checked:	KGH	Approved:	LEF
Date:	AUG 1991	Drawing Number:	8626 / 608
Project Engineer:	L. Kelly	Revision:	

WORKING DRAWING PROJECT DRAUGHTSMAN: [Signature] PROJECT ENGINEER: [Signature]



REINFORCEMENT NOTES

ALL REINFORCEMENT IS TYPE 2 (T) UNLESS NOTED OTHERWISE.

GRADE & TYPE (OMITTED WHEN T)

NOTATION: $\frac{NO. OF \dots}{\dots}$ $\frac{NO. OF \dots}{\dots}$ $\frac{NO. OF \dots}{\dots}$ $\frac{NO. OF \dots}{\dots}$ LOCATION

LOCATION ABBREVIATIONS:
T - TOP, B - BOTTOM, NF - NEAR FACE, FF - FAR FACE,
EF - EACH FACE, ABH - ALTERNATE BARS REVERSED,
ALT - ALTERNATE

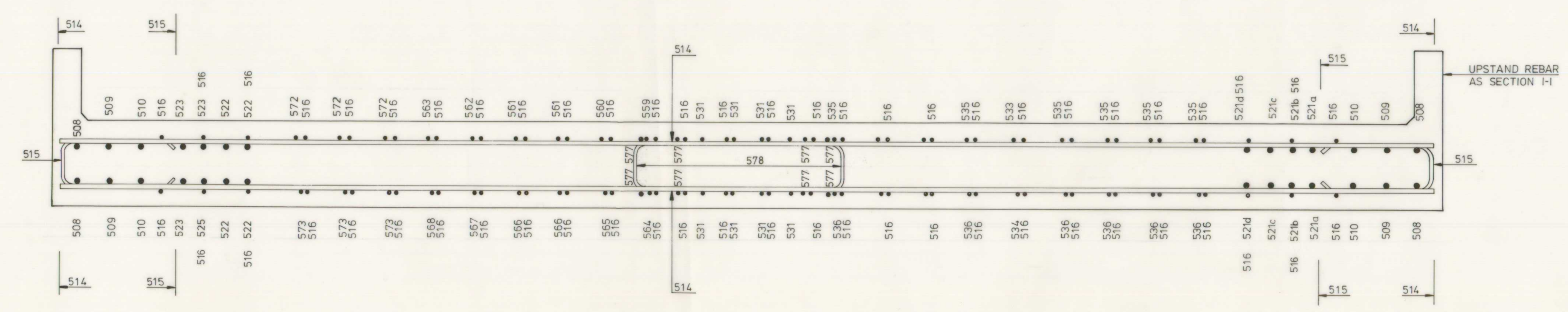
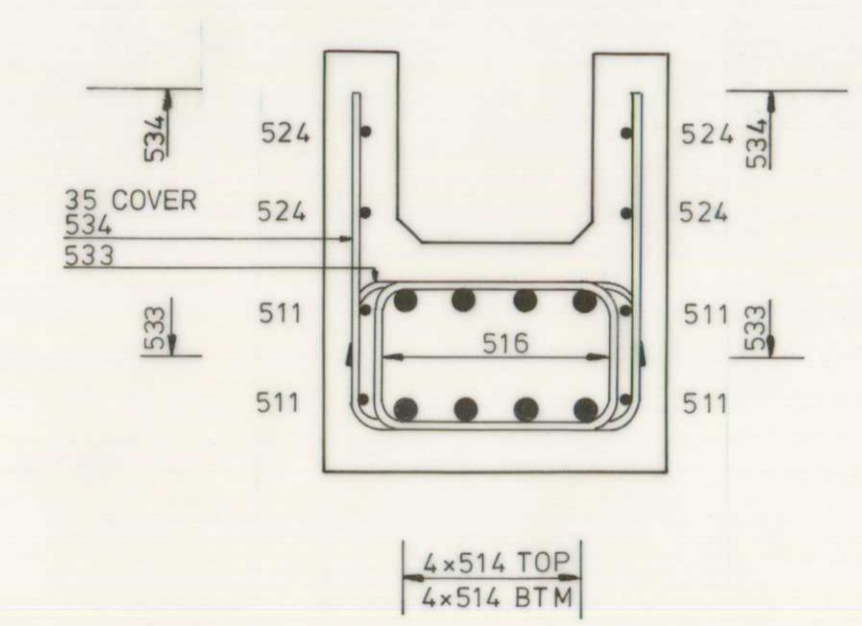
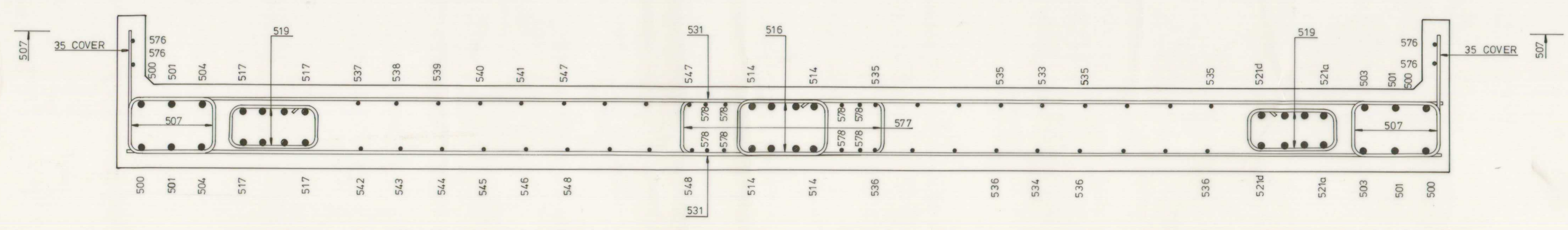
BAR SCHEDULE REFERENCE: 610

UNLESS NOTED OTHERWISE COVER TO REINFORCEMENT TO BE: 50mm

UNLESS NOTED OTHERWISE LAPS TO BE NOT LESS THAN THE FOLLOWING:

40	32	25	20	16	12	10	8
1500	1200	950	750	600	450	400	350

ABOVE VALUES TO BE FACTORED BY 1.4 OR 2.0 WHERE NECESSARY TO COMPLY WITH BS 8110 PART 1: 1985 CLAUSE 3.12.8.13.



Rev	Description	Date	Checked
A	VARIOUS MINOR REVISIONS TO BAR CALL-UPS	14.10.92	<i>[Signature]</i>
GOVERNMENT OF BERMUDA			
TYNES BAY WASTE TREATMENT FACILITY			
Title CHIMNEY WINDSHIELD R.C. DETAILS SHEET 3			
MINISTRY OF WORKS & ENGINEERING IN ASSOCIATION WITH G. MAUNSELL & PARTNERS KENNEDY & DONKIN CONSULTING ENGINEERS CONSULTING ENGINEERS LONDON MANCHESTER			
Scale	1:25, 1:10	Designed	Drawn BL
		Checked ML	Approved LEF
PROJECT DRAUGHTSMAN		Date	Revision
PROJECT ENGINEER <i>[Signature]</i>		AUG. 1991	8626 / 610
WORKING DRAWING			A