



1. XIAMEN GOLDEN DRAGON BUS CO., LTD

TO: RIF

Vehicle Type: XML6805

Overall Dimension: L*W*H: 8045×2350×3135mm

Note:

2. Charging time:

GD is offering Charging Machine (60KW) with two charging plugs, which will take approximately 3 hours to finish the complete bus charging.

3. Driving mileage:

With A/C On and fully loaded, the driving mileage will be around 150KM.

4. Local grid specification:

3-phase, 480V, 60Hz



APPENDIX 2

GOLDEN DRAGON XML6805 ELECTRIC BUS CHECKLIST

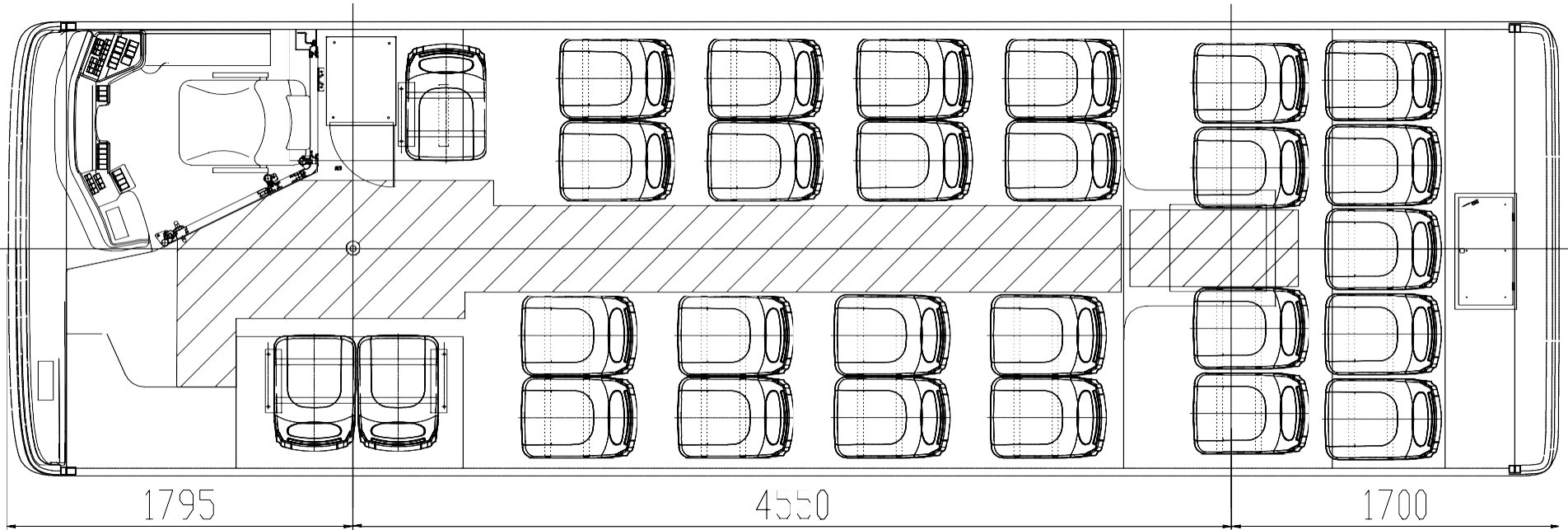
SYSTEMS	SPECIFICS	DESCRIPTIONS	Y / N
VEHICLE OPTION	Sales Model	XML6805	
	Use	City bus	
	Overall Dimension	8045×2350×3135mm	
	Seating Capacity	28+1	
	Flooring Structure	Two steps	
	Driving Direction	RHD	
	Fuel Type	Electric	
	WABCO ABS	Equipped	
	Front Axle	4.2T, with self-adjustable arm	
	Rear Axle	8T, 6.14 ratio, with self-adjustable arm	
	Brake System	Front Disc, Rear Disc	
	Front Suspension	Air suspension	
	Rear Suspension	Air suspension	
	Rear Suspension Stabilizer Bar	Equipped	
	Tire Model	245/70R19.5, 16PR,	
	Wheel	Steel	
	Front & Rear Wheel Cover	Equipped	
	Tools along with the Vehicle	Equipped	
	ECAS	WABCO ECAS kneeling system	
BODY OPTION	Driver Door	Not equipped	
	Driver Seat Model	Three points safety belt driver seats	
	Outside Rear-view Mirror	Left short, right long, electric	
	Side Window Layout	Fully upper fixed& lower sliding window, light grey	
	Front Windscreen Type	Divided front windshield	
	Driver Window	Aluminum steel sliding window, F green	
	Passenger Door	1 Front door + pneumatic swing	
	DriverSun Visor	Equipped	
	Hand Rail	Yellow hand rail, 20 units hand holder	
	Flooring	Wearable flooring	
	Inside Vehicle Fire Extinguisher	2 unit with 4Kg	
	Compartment Fire Extinguisher	2 units	
	Safety Hammer	6 units with voice alarm	
	Safety Window	1 unit without ventilator	
	Inner Rearview Mirror	Equipped	
Body Build Exterior Paint Color	Pink with Blue Strip		
	Radio System Type	DVD player + Front LCD screen	
	Microphone	Driver's Microphone	

ANNEX E – XIAMEN CHARGING PEDESTALS

DPT2021-02 Electric Bus Charging Facility RFP



ELECTRICAL OPTION	Digital Clock	Equipped + Front speed indicator	
	Route Board	Front, Middle, Rear Digital Route Board	
	Electrical / Air Horn	Electrical horn	
	High Brake Lamp	Equipped	
	USB	1 USB port for Driver; 1 USB port for each passenger seats installed at side wall	
	Reversing Camera	7 inch multicolor screen with reverse image	
	Reversing Radar	Equipped	
	Battery	12V 100Ah, maintenance free	
	Alternator	70A	
	Wiper	3L water tank	
	Inside Vehicle Lamp	Equipped	
	Outside Vehicle Lamps	Equipped	
	Getting off Call Bell	Equipped	
	Electrical Destination Indicator	Equipped	
	Air Conditioner	26kW	
	Model Year	2020 or 2021	
	Charger	ZEVQC-60/750-U2E + Transformer SG-80	
	Type of Charging Port	European Type	
	Motor	Prestolite MD100GD, Rated power: 140KW, Rate Torque:1100N.m, Max Power: 200kW, Max Torque: 2500N.m	
New Energy System	Total Battery Capacity	CATL 180 kWh	
	Motor Controller	Prestolite	
	Warranty	8 years for whole electric system , 8 years for the battery	



Seats 28+1 passenger capacity<53

N. America

Japan

EU
and the rest of markets

China

All Markets
except EU

ANNEX E – XIAMEN CHARGING PEDESTALS
DPT2021-02 Electric Bus Charging Facility RFP

AC



J1772 (Type 1)



J1772 (Type 1)

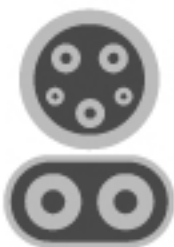


Mennekes (Type 2)



GB/T

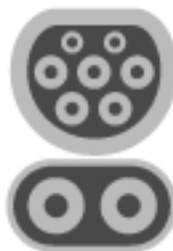
DC



CCS1



CHAdeMO



CCS2



GB/T



Tesla

Technical Information

1. Product

Description	Model	Unit	Type	Remark
DC EV QUICK CHARGER	ZEVQC-60/750-U2E	UNIT	Integrity	Euro standard

2. Standard

Srl	Standard
1.	IEC 61851-1: Overall requirements for charging systems
2.	IEC 61851-21-1: Charging system EMC requirements for on-board chargers
3.	IEC 61851-21-2: Charging system EMC requirements for off-board charging systems
4.	IEC 61851-23: DC charging posts
5.	IEC 61851-24: DC charging communication requirements
6.	IEC 62196-1: Plug and Socket Basic Requirements
7.	IEC 62196-3+62196-3-1: DC Dimensions and Interchangeability Requirements

3. Items

4.1. Tech requirement

Consists of below

4.1.1. Parameters

Srl	Item	Tech index	
1.	Input	Input voltage	AC380V (3P+N+PE)
		Max. input current	≤128A
		Frequency	50Hz
		Power factor	>0.99
2.	output	Output voltage	DC200-750V (Continuously adjustable)
		Output rated power	60kW
		Output current	100A
		Stabilized voltage precision	≤±0.5%
		Stabilized current precision	≤±1%
		Soft start	3~8s

		Module current imbalance	≤5%
		Ripple factor	≤±0.5%
		Efficiency	≥0.94
		Port standard	CCS type, European standard 5 core DC charging gun, IEC 62196 standard
		Charging gun cable	5m*2
		Output method	Dual gun Smart output
		Communication protocol	IEC 61851
3.	HMI		Touch screen
4.	Metering		DC meter to measure the output power
5.	Installation		Floor mounted
6.	Dimension		750mm×600mm×1650mm (W×D×H)
7.	IP		IP54 (outdoor)
8.	Cooling method		Air
9.	Weight		275KG
10.	Ambient environmental requirements	Operating Temperature	-20℃~50℃ normal; 50℃~75℃ derating output
		Storage temperature	-40℃~75℃
		Humidity	5%~95%
		Above sea level	≤2000m full load output
		Installation spot	Free from strong vibration and impact, electromagnetic interference, external magnetic field induction strength shall ≤ 0.5mT
		Installation inclination	≤5°

4.1.2. Structural requirement

1. Integrity and floor mounted.
2. The external surface of the charger has a permanent nameplate. It mainly include: name; model; rated input voltage, rated output voltage range, rated power; manufacturer; lot number; date
3. Wiring, grounding and safety markings are provided at the corresponding positions of the charger. The markings should be correct, complete and clear and firm

 No text below

技术信息

4. 产品内容

名称	规格型号	单位	产品类型	备注
电动汽车快速充电机	ZEVQC-60/750-U2E	台	一体式	欧标

5. 规范标准

序号	规范标准
1	IEC 61851-1: 充电系统总体要求
2	IEC 61851-21-1: 充电系统 车载充电机 EMC 要求
3	IEC 61851-21-2: 充电系统 非车载充电系统 EMC 要求
4	IEC 61851-23: 直流充电桩
5	IEC 61851-24: 直流充电通信要求
6	IEC 62196-1: 插头插座基本要求
7	IEC 62196-3+62196-3-1: 直流尺寸和互换性要求

6. 项目内容

4.1. 技术要求

技术要求分为两部分：关键技术参数要求、结构要求。

4.1.1. 关键技术参数要求

序号	项目	技术指标	
1	输入参数	输入电压	AC380V (3P+N+PE)
		最大输入电流	≤128A
		工作频率	50Hz
		功率因数	>0.99
2	输出参数	输出电压	DC200-750V (连续可调)
		输出额定功率	60kW
		输出电流	100A
		稳压精度	≤±0.5%
		稳流精度	≤±1%
		软启动时间	3~8s

直流充电机技术协议

		模块均流不平衡度	≤5%
		纹波系数	≤±0.5%
		工作效率	≥0.94
		充电接口标准	CCS 型，欧标 5 芯直流充电枪，符合 IEC 62196 标准
		充电枪规格及数量	5 米*2 把
		输出方式	双枪智能输出
		通讯接口	PLC
		通信协议	符合 IEC 61851 标准
3	人机交互方式	触摸屏	
4	计量	直流电能表，对输出电量进行计量	
5	安装方式	一体机落地式安装	
6	参考尺寸	750mm×600mm×1650mm (W×D×H) (以实物为准)	
7	防护等级	IP54 (户外)	
8	冷却方式	强制风冷	
9	重量	275KG	
10	使用环境要求	工作环境温度	-20℃~50℃正常工作；50℃~75℃降额输出
		存储环境温度	-40℃~75℃
		相对湿度	5%~95%
		海拔	≤2000m 满载输出
		设备安装地点	无强烈振动和冲击，无强电磁干扰，外磁场感应强度不得超过 0.5mT
		安装垂直斜度	不超过 5°

4.1.2. 结构要求

- 1、充电机为一一体机地面安装方式；
- 2、充电机的外表面具有永久性铭牌，其主要内容包括：产品名称；产品型号；额定输入电压、额定输出电压范围、额定功率；生产厂名称；生产批号；出厂日期。
- 3、在充电机的相应位置上具有接线、接地及安全标注，其标注应正确、完整，清晰、牢固。

————— 以下无正文 —————

EV Charger

User Manual

(2020 V1.0)

Preface

Thank you for using our quick charger for electric vehicles. Please read the user manual carefully before start and operate it follow the manual

Please keep it carefully, which is convenient for future operation and maintenance

This manual mainly introduces the installation, operation steps, storage conditions, maintenance and daily maintenance methods of the quick charger. It is mainly used to guide the installation and daily operation and maintenance of the charger

This manual is owned by SSE. Without written permission from SSE, any unit or individual shall not publish any or all of the contents of this manual. SSE reserves the right to amend the contents of this manual. Due to the upgrade of the product, the contents of this manual will be revised and adjusted without prior notice. You can obtain relevant information through SSE's sales channels, customer service centers. This manual is a universal manual for electric vehicle quick charger. When the description is different from the actual product, please subject to actual product

Safety instruction



This product is subject to the possibility of electric shock, burns or explosions!

Only qualified engineers allowed to install, commissioning, maintain the device!

1. Personal wear must be worn before installation, commissioning and maintenance;
2. Equipment maintenance must ensure that at least two people onsite, one operating, the other supervise
3. Strictly comply with relevant regulations in this manual, shall not exceed operating range, otherwise it may damage the equipment
4. Please do not change the specifications of electrical components, do not change the internal wiring or grafting other lines
5. The power supply used in accordance with the requirements of this equipment, and must be reliably grounding
6. There will be heat generated in operating, must ensure that the installation environment meets the working requirements
7. The charger is not allowed to change settings during operating. Any modifications must be carried out after its stopped
8. Plug in and out during charging process is prohibited, so as to avoid accidents and irreversible damage happened to both charger and Vehicle
9. After charger stops running, there is residual voltage remained inside, danger of electric shock still exist! It is necessary to open the cabinet door after cutting off the input and output power ≥ 10 minutes. The DC output voltage is measured by multimeter. After the DC output voltage is 0V, the maintenance operation can be carried out
10. ESD may cause irreversible damage to equipment. ESD protection must be followed

-
11. Equipment with limited dust proof, waterproof ability, should pay attention to moisture, water, etc, while working, once water entered in the equipment, should immediately switch off,
 12. If abnormal situation occurs in process of running, before contacting the customer service center, please refer to the "general troubleshooting table"; if remains, please turn off the charger and contact our customer service center
 13. Due to limited content, installation, commissioning and maintenance requirements on other general electrical equipment are not inconsistent with this manual.



Failed to follow above instructions will cause damage to the equipment!

Failed to follow above instructions will cause serious personal injury!

Content

1. Product introduction.....	6
1.1 Summary.....	6
1.2 Technical parameters.....	6
1.3 Working environment.....	7
1.4 Appearance.....	7
1.5 Functional block diagram.....	10
2. Installation	11
2.1 Installation steps.....	11
2.2 Installation notes.....	11
2.3 Equipment incoming cable reference selection	11
2.4 Tools.....	13
2.5 Installation steps.....	13
3. Preparation	16
3.1 Operation instruction.....	16
3.2 Networking Settings.....	20
4. Loading, disassembly and storage.....	21
4.1 Loading and disassembly.....	22
4.2 Storage.....	22
5. Maintenance and repair.....	23
5.1 Maintenance.....	23
5.2 Trouble shooting.....	24
5.3 General trouble shooting sheet.....	24

1. Product introduction

1.1 Summary

SSE's EV charger using high-frequency switching power supply technology, digital DSP technology and PWM control technology to charge the battery through intelligent charging control algorithm. The power cover 30kW~375kW, which is suitable for public parking lot, new energy bus charging station, expressway service area, etc.

1.2 Technical parameters

Environment	Condition	Indoors or outdoors
	Working temperature	-20 °C ~ +50 °C
	Storage Temperature	-40 °C ~ +70 °C
	Relative humidity	5%~95% No condensation
Input	AC input connection	3P + N + PE
	Voltage range	400 V AC \pm 10% (50 Hz)
	Maximum input current	Refer to nameplate for details
	power factor	> 0.99 (Full load)
Output	Max power	Refer to nameplate for details
	output voltage	Refer to nameplate for details
	Maximum current output	Refer to nameplate for details
	Efficiency	95%
Basic parameter	Gun cable	5/7/10 meter (Optional)
	HMI	7-inch touch screen

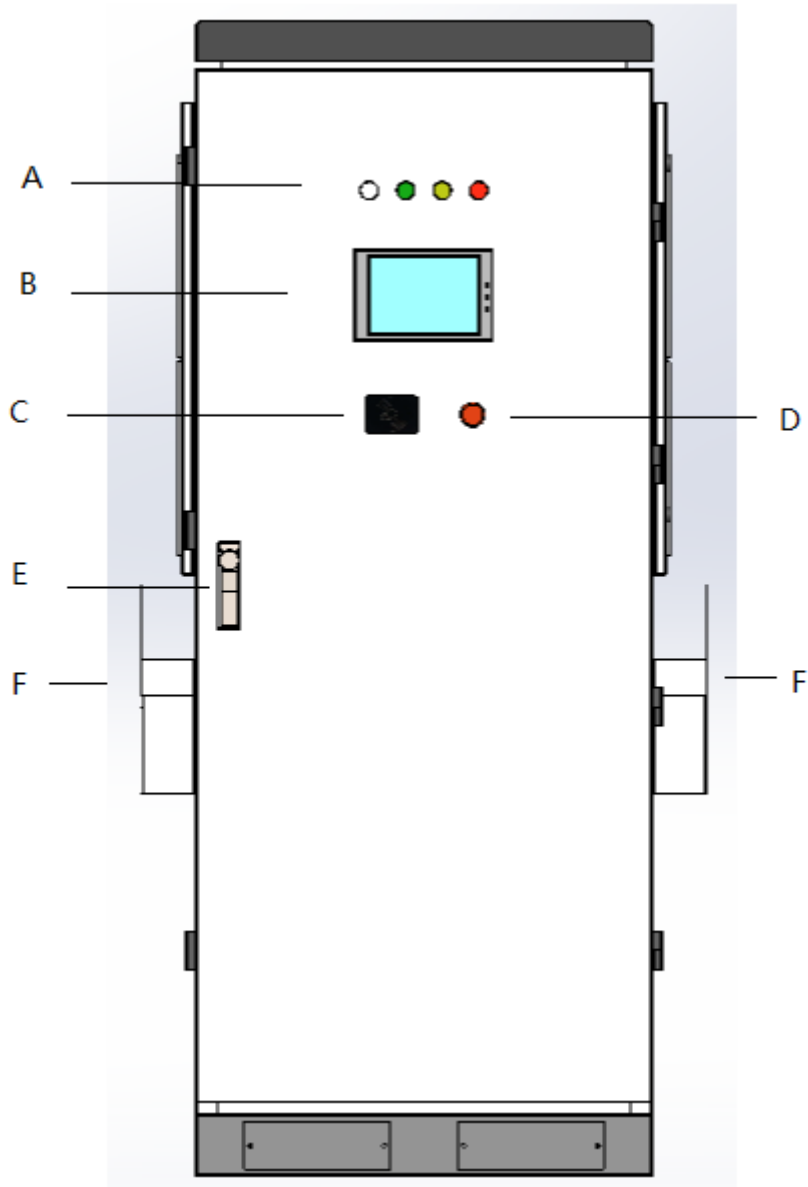
Network interface	Ethernet (standard) 3G/4G (optional)
Protection grade	IP54
Operating noise	≤75 dBA

1.3 Working environment

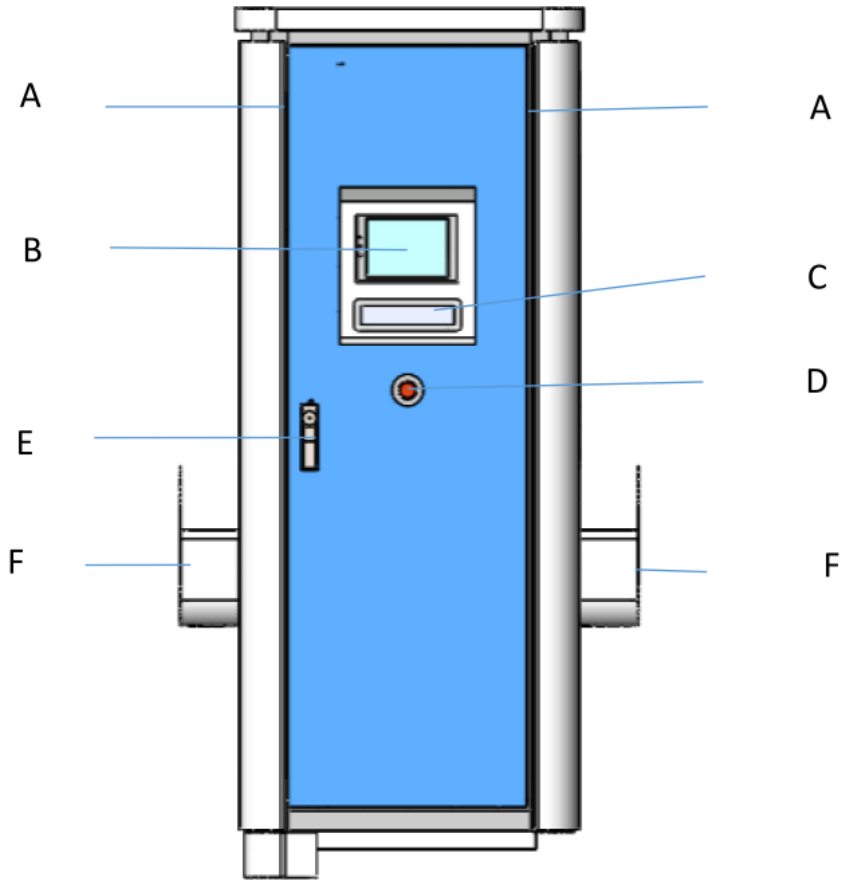
- Temperature: -30°C~+50°C normal; +50°C~+60°C derating output
- Relative humidity: 5%~95%
- Above sea level: <2000m
- Equipment installation site: no strong vibration and shock; no strong electromagnetic interference; no dust, especially free from conductive dust; should not close to heat source; external magnetic field induction shall ≤ 0.5mT
- Inclination: ≤5°
- To be convenient for operating, equipment maintenance and cooling, should reserve at least 100 cm space for each side, 50-100 cm space for cover.

1.4 Appearance

The appearance and external parts of the charger shows in below.



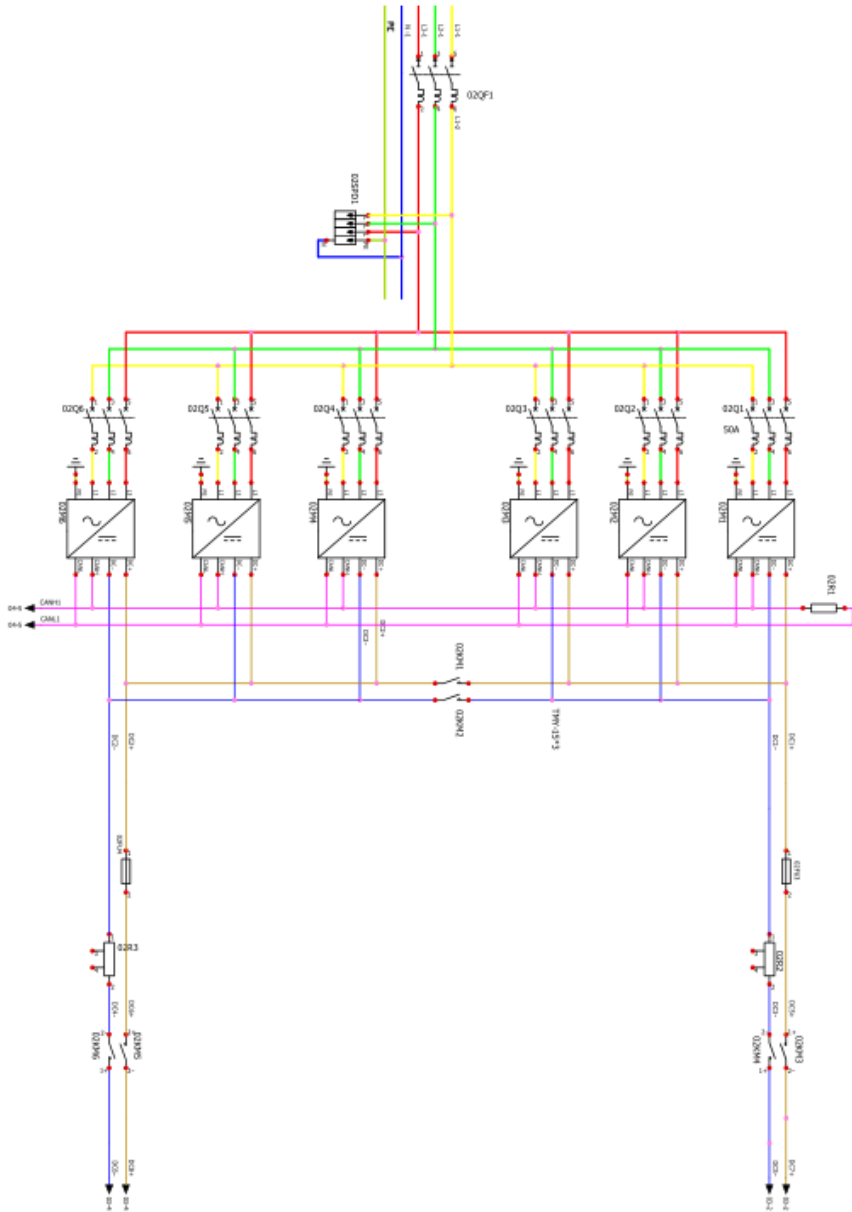
ANNEX E – XIAMEN CHARGING PEDESTALS
DPT2021-02 Electric Bus Charging Facility RFP



A	B	C	D	E	F
Status indication	Touch screen	Card area	Emergency stoppage	Door lock	Charging cradle

ANNEX E – XIAMEN CHARGING PEDESTALS
DPT2021-02 Electric Bus Charging Facility RFP

1.5 Functional block diagram



2. Installation

2.1 Installation steps

- Installation notes:
- Wiring:
- Charger installation:
- The placement of fixing equipment:
- Incoming line installation:
- Tidied

2.2 Installation notes

Installation site: no strong vibration and shock; no strong electromagnetic interference; no dust, especially free from conductive dust; should not close to heat source; external magnetic field induction shall $\leq 0.5\text{mT}$ Inclination: $\leq 5^\circ$ At least 100cm space is reserved around the equipment cabinet, and 50–100cm space reserved for both top and bottom to ensure good ventilation.

2.3 Equipment incoming cable reference selection

2.3.1 AC input cable wiring

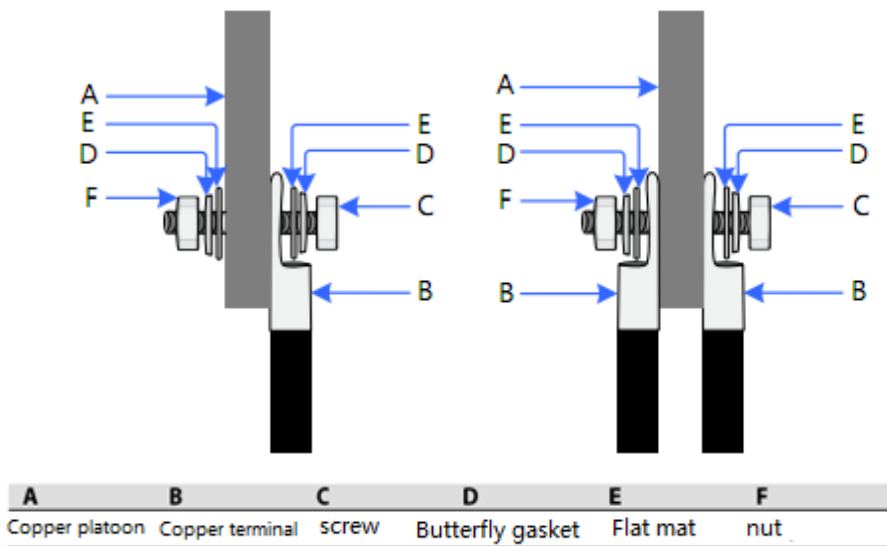
Charger input side connect to Grid power, connected to electricity, L2, L3, L1, N, PE in turn according to the signs (please make sure that the 3 phase 5 wire system into the line, to ensure the normal operation of equipment and personal safety), selection of connecting cable as follows, for reference to the actual use of the environment shall prevail.

Power	Diameter of incoming cable (Laying in cable trench)				
	L1	L2	L3	N	PE
30kW	16 mm ²	16 mm ²	16 mm ²	16 mm ²	16 mm ²
45kW	25 mm ²	25 mm ²	25 mm ²	16 mm ²	16 mm ²
60kW	35 mm ²	35 mm ²	35 mm ²	16 mm ²	16 mm ²
75kW	70 mm ²	70 mm ²	70 mm ²	35 mm ²	35 mm ²

90kW	70 mm ²	70 mm ²	70 mm ²	35 mm ²	35 mm ²
120kW	120 mm ²	120 mm ²	120 mm ²	70 mm ²	70 mm ²
150kW	150 mm ²	150 mm ²	150 mm ²	70 mm ²	70 mm ²
180kW	240 mm ²	240 mm ²	240 mm ²	120 mm ²	120 mm ²
240kW	300 mm ²	300 mm ²	300 mm ²	150 mm ²	150 mm ²
300kW	2*240 mm ²	2*240 mm ²	2*240 mm ²	2*120 mm ²	2*120 mm ²
375kW	2*300 mm ²	2*300 mm ²	2*300 mm ²	2*150 mm ²	2*150 mm ²

Note: if the distance is too far, the voltage drop will affect the operation of the charger, the cable diameter should be enlarged by one specification. The cable diameter can be selected according to the rated current of ac circuit breaker of charger, and the cable can be selected according to the way of laying.

When connecting to the charger with copper wire, attention should be paid to the installation of solid, and refer to the following wiring sequence for installation.

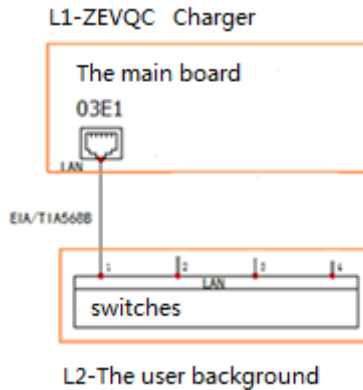


Cable crimping diagram

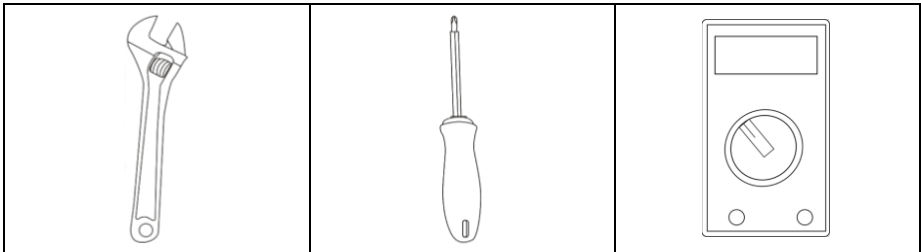
2.3.2 Communications wiring

The charger is equipped with Ethernet communication interfaces to connect to the

cloud platform for monitoring. User connects Ethernet ports of the charger to the switch using EIA/TIA568B hyper five/six types of double-stranded wires as picture show below. When the communication line is laid in parallel with the power cable, $\geq 200\text{mm}$ distance shall be guaranteed to reduce electromagnetic interference.



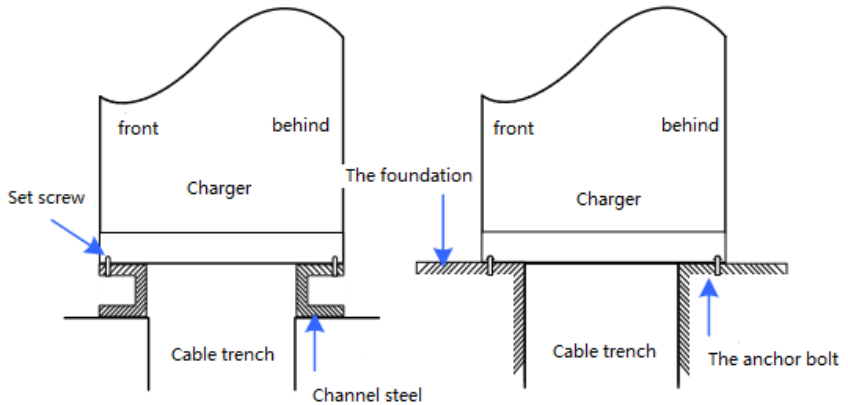
2.4 Tools



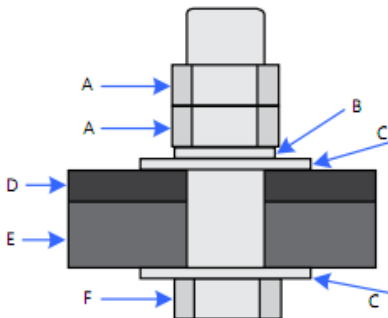
2.5 Installation steps

1. Unpacking and separate the wooden pallet from the charger before installing. Check whether the cable trench laying and channel steel hole meet the installation requirements of the charger. Fix the charger on the channel steel or

foundation with the M12 screw through the lumbar hole in the base .The fixing method is as follows:

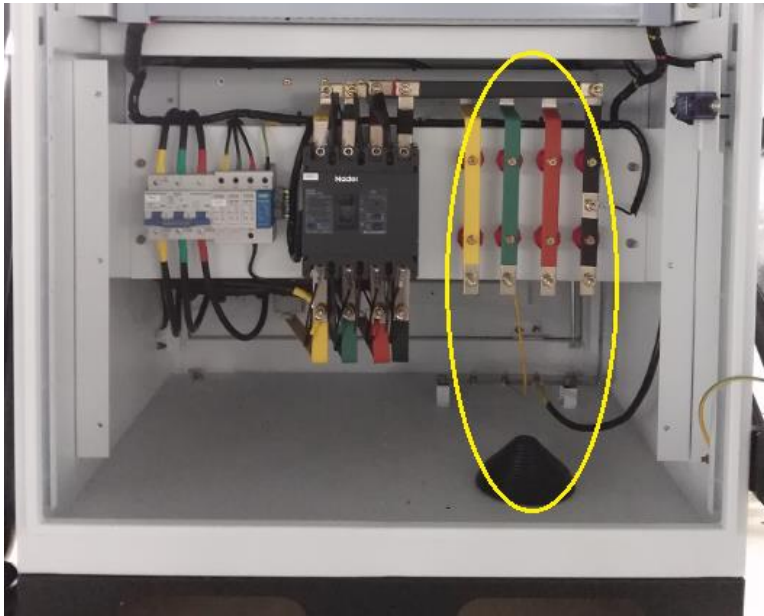


2、 Pull the power cable from the power distribution cabinet to the base of the charger, install the charger on the base, you will find bolts for the fixed mounting holes at the four corners of the base of the cabinet. Fix the pads and nuts with the adjustable wrenches. Fix charger on the base, the installation sequence shows below.



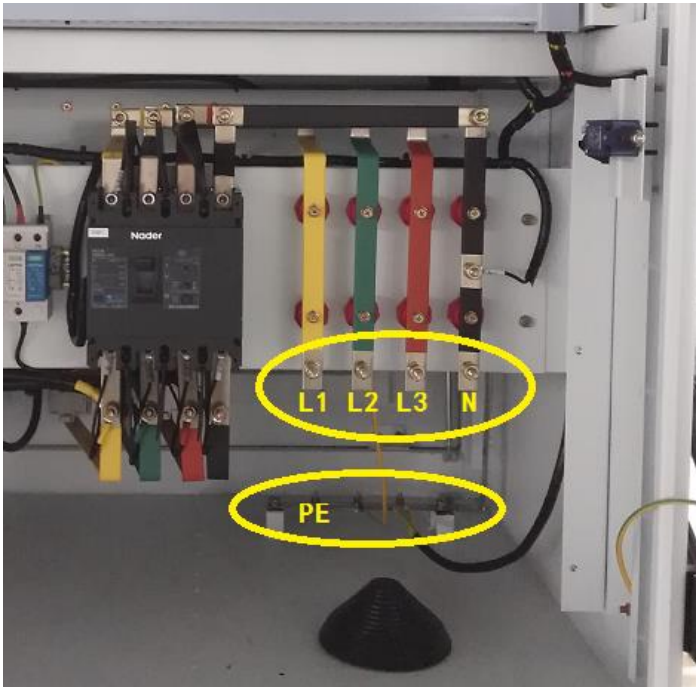
The serial number	The name
A	nut
B	Spring washers
C	Pacific mat
D	Charger base
E	Channel steel
F	bolt

3、 Open the front and back door with the key, take off the protective cover, and pull the incoming cable through the base to the charger. Pull it to the end of the incoming cable row.



4、 Connecting the power cable to the incoming terminal block (incoming copper busbar) using a screwdriver (wrench) firmly connected with the corresponding (yellow, green, red to FireWire, black to neutral grounding wire, grounding line to grounding copper busbar) :

L1(Yellow)/L2(Green)/L3(Red) : firewire: N(Black) : Neutral: PE(Grounding busbar) : Grounding wire



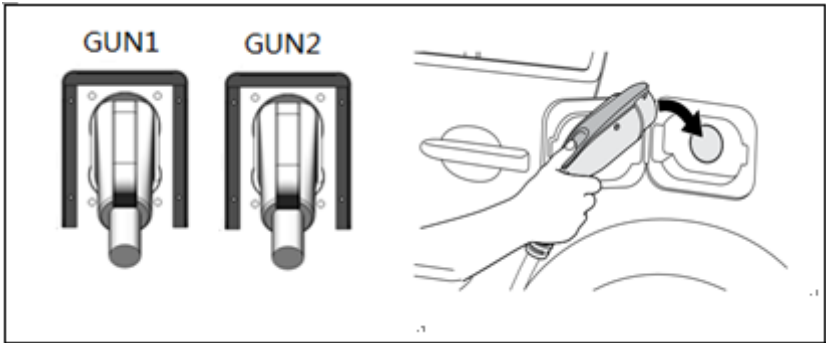
5、 Switch on the upper power supply switch of the charger, using the multimeter to detect whether the connection of the incoming firewire, neutral wire and the ground wire of the power supply is correct, and if there is no mistake, the main switch of the charger can be switch on to power the charger

6、 Tidy up the cable, turn off the charging cabinet door, plug the gun into the equipment socket on the side of the cabinet

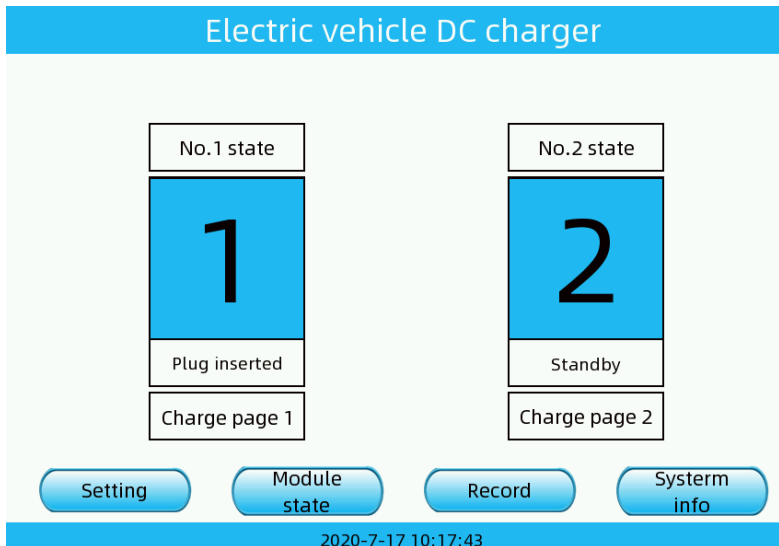
3. Preparation

3.1 Operation instruction

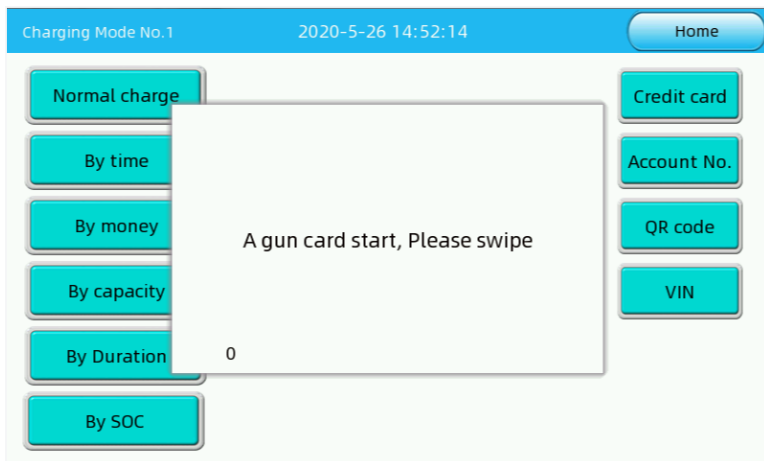
Step 1: Take the charging gun and plug it into the charging socket of the vehicle;



Step 2: After the charging gun is connected to the vehicle, "the gun has been inserted" will be displayed in the corresponding "No. 1 state/No. 2 state" in the main interface of HMI, and then click the " No. 1 state/No. 2 state " to enter the next interface.



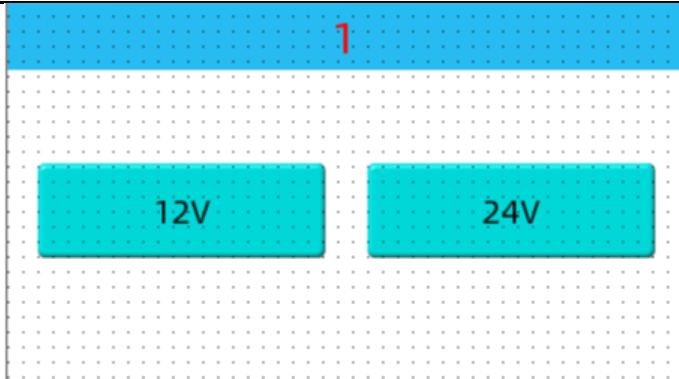
Step 3: Click the "Charge by Card" button on the touch screen, and the system will prompt "please swipe card".



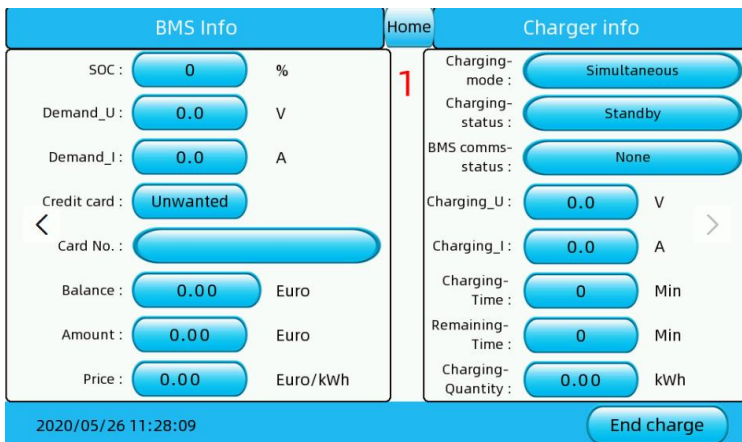
Step 4: swipe the card in the sensor area of the card reader until the card is swiped successfully;



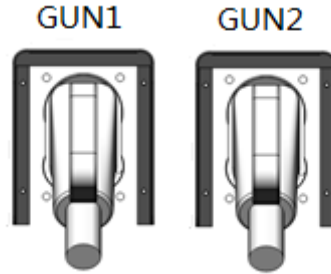
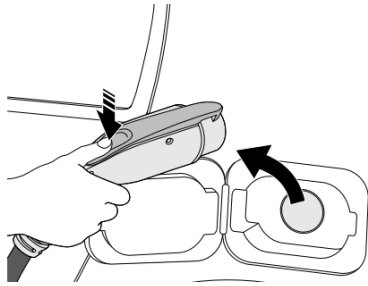
Step 5: After swiping the card successfully, the auxiliary power selection box will pop up, and 12V or 24V can be selected as required; (Note: the selection is only applicable to the national standard, not to the European standard)



Step 6: When fully charged, the charger will automatically stop charging. During charging, you can also click the "End charge" button to stop charging

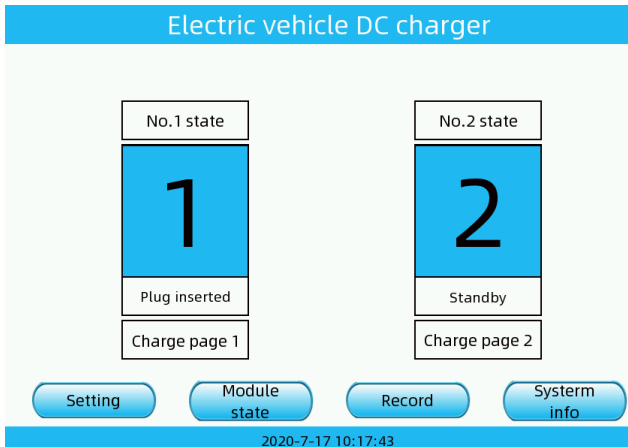


Step 7: Put the gun back



3.2 Networking Settings

Step 1: come to the following main interface;



Step 2: click "setting" in the main interface, and the following dialog will pop up. Enter "Users" in the user name and password "888888"; Click "OK" after setting;

Account input 2020.05.26 09:13:20 Home

Account :

Password :

Confirm

Step 3: Enter the following interface and set according to the actual requirement: for example, "IP address" and "port number" should be set according to the actual background; "Device ID" should be set according to the cabinet number; "BMS protocol selection" should be set according to the "15 national standard" or "European standard", and "background setting" should be set according to the actual needs or other settings.

Parameter setting 2020-7-17 14:56:20 Special Function Settings Home

Credit Card : <input type="text" value="Need"/>	BMS protocol-selection : <input type="text" value="Euro"/>
Auxiliary Power : <input type="text" value="Fixed12V"/>	Background settings : <input type="text" value="SSE"/>
No. of plugs set : <input type="text" value="2 plug"/>	Card board : <input type="text" value="ZLG"/>
IP : <input type="text" value="0"/> . <input type="text" value="0"/> . <input type="text" value="0"/> . <input type="text" value="0"/>	Meter selection : <input type="text" value="645 protocol"/>
Port Number : <input type="text" value="0"/>	No load pro : <input type="text" value="Yes"/>
Buzzer switch : <input type="text" value="Open"/>	If precharge : <input type="text" value="No"/>
Device ID : <input type="text"/>	

Time Setting Password Setting Modify Price Other settings Language setting IP Setting

4. Loading, disassembly and storage

4.1 Loading and disassembly

When handling and lifting the package, the center of gravity of the packing box must be paid attention to in order to avoid the tipping of the package. Unpacking is only allowed onsite!

Before unpacking, check whether any of the package is damaged during transportation. If the packaging shows signs of damage, it should be in the presence of the logistics company personnel to unpacking and inspecting the equipment. External damage must be recorded immediately in the transport document! When unpacking, unpacking carefully, and don't use sharp tools to prevent damage to the shell. Damage found after unpacking must be reported to the logistics company and the manufacturer within one week!

The manufacturer will not be responsible for the failure to receive the damage report! If the equipment is damaged during transportation, please follow the following steps:

- Take photos of damaged parts
- Return the report and photos of the damaged equipment to the transport company and send a copy back to the transport company

4.2 Storage

- The equipment must be stored in a clean, dry and dust-proof environment with its original packaging.
- must always be stored up!
- Storage period is 1 year
- During storage period, storage environment must always meet the following conditions:
 - Relative humidity: 5%~85%
 - The fire extinguishing equipment and materials required for such warehouses are equipped and in good condition.
 - Keep the storage area clean at all times, and there must be no accumulation of waste and waste packaging materials.
 - In order to avoid damage or dirty to equipment, must prevent small

animal and insect into the storage area.

- In order to minimize the risk of equipment damage, it is necessary to consider the convenience of inspection and maintenance when storing all equipment. When the equipment is stacked, the ability of the lower layer to withstand the gravity of the upper layer must be considered without damage.

5. Maintenance and repair

5.1 Maintenance

- Regularly check whether the ventilation facilities in the place where the equipment is located are in good condition and whether the indoor temperature meets the requirements;
- The charger must be protected from strong vibration or exposure to high temperature and humidity;
- Clean the charger with dry cloth or anti-static cloth. Do not use chemical or abrasive cleaning agent to avoid damaging the shell;
- When it is not used for a long time, the AC power supply must be disconnected, and it should be placed in a dry and ventilated place indoors and covered with a hood. After a period of time, it should also be electrified to remove moisture;
- During the charging process, the ventilation shutters on the shell shall not be covered to ensure the timely diffusion of heat generated in the charger;
- Dust the air inlet, exhaust duct, fan and filter screen once every three months. It is recommended to remove dust once a week in areas with severe dust;
- Before checking the charger device, make sure that the AC and DC side switches of the power supply circuit have been disconnected and that the DC output voltage is 0V before maintenance;
- After the fuse in the circuit is blown, it must be replaced according to the required specifications, and it is not allowed to replace it with a wire;
- It is forbidden to charge non rechargeable batteries;
- No non professional personnel are allowed to enter the operation room and operate the equipment.

5.2 Trouble shooting

If abnormal situation happens while running, and charger need to stop to do inspection, following steps must be strictly followed:

- Quickly press the "off" button to stop the charger;
- Disconnect the control power switch, disconnect the main power switch
- Turn off the main switch power supply (not affecting other equipment);
- Wait after 10 minutes to open the cabinet door, measure the DC output voltage with a multimeter, and confirm that the DC output voltage is 0V then the internal maintenance operation can be carried out;



- When implement internal maintenance, AC line power supply must be disconnected, charger and battery connection line or charging gun disconnect
- After the maintenance is completed, test and commissioning to confirm the charger is normal before it can be put into formal operation.
- In the maintenance process, only one person can operate, the other personnel monitor, and the guardian personnel and the operator need to maintain a certain distance
- **It must be completed by professional engineers to ensure safety of both personal and equipment!**

5.3 General trouble shooting sheet

Item	Phenomenon	Solution
------	------------	----------

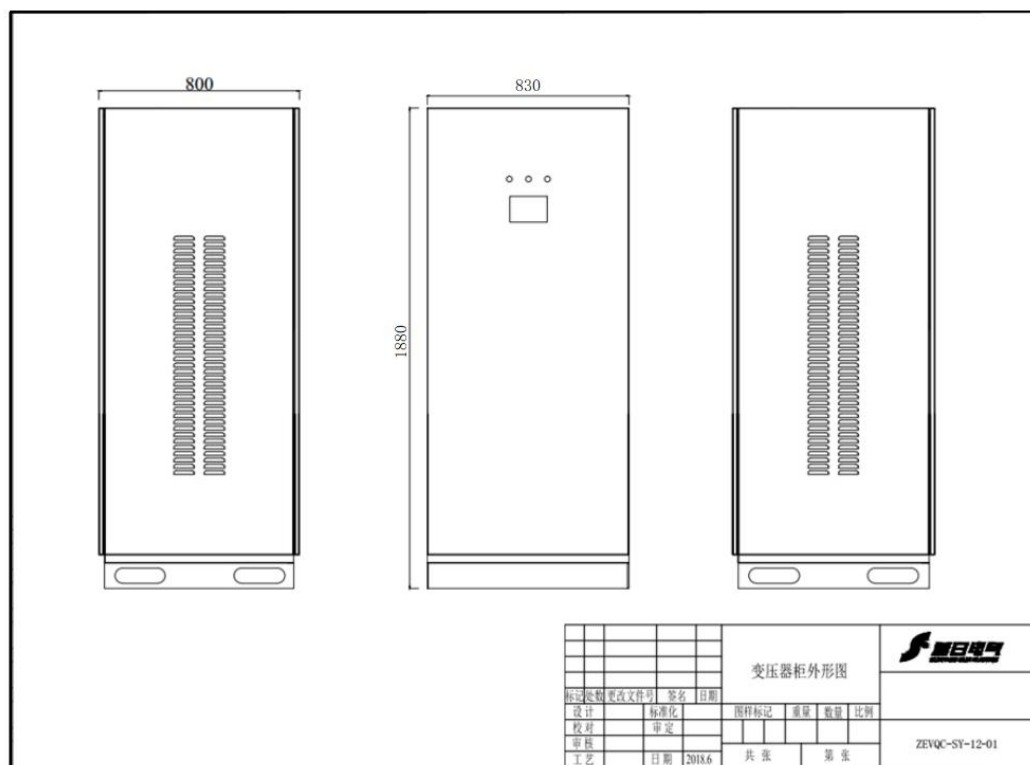
BMS communication fault	There is no SOC value, set voltage value and set current value on the display screen which should be sent by BMS, it can not be charged	Check whether there is output voltage at A + / - on the low voltage terminal with gun in plugged state. If not, check whether the auxiliary power input is normal or not.
		Check if there is A +/- output voltage on the low-voltage terminal with gun plugged. If yes, the relay and BMS system on the electric vehicle might failure.
		In the case of power failure, check the S+/- on the terminal (S+/-) and the resistance value in the cabinet by the multimeter, and the normal value is 60 euro. If there is no resistance, there is an open circuit fault, and the open circuit point is found.
The screen is not lighted after power up	Switch power is broken	The display power supply input is normal, the output indicator is not bright, or no output, then the power supply is damaged
	ACB of Control loop tripping	ACB of Control loop tripping or short circuit
	Display power plug loose	Plug it in again
With only output voltage without output current	DC contactor damage	Short circuit corresponding 12V of DC contactor in the circuit board, check its switch on condition
	Fuse core damage	Check if the quick fuse in the DC output circuit of the charger is switch off when the power is off, if it is switch off then the fuse is damaged
	Main fuse or contactor failure on electric vehicle	Plug the gun into the electric vehicle. power on, check the DC voltage of the DC + DC- with multimeter: The voltage value is consistent with the total voltage of the electric vehicle, indicating that there is

		no problem with the fuse and precharge contactor on the electric vehicle. If there is no voltage value, the fuse and contactor on the electric vehicle have open circuit fault
Red light of each module stays light ,Green light shining fault	Phase loose of AC input	Incoming cable is loose which lead to phase loose
		The neutral wire and fire wire on the incoming terminal is misconnected. (normally accompanied by an electric burning switch power supply)
		One of the contacts of AC circuit breakers or AC contactor is broken
Power trip	Switch capacity is too small	Replace with a larger one
	ACB of Control loop tripping	Find short circuit point and fix it

一、变压器参数 Transformer parameters

序号 No.	项目 Item	技术参数 Technical parameters
1	输入电压 Input voltage	AC480V±15%
2	输出电压 Output voltage	AC380V±15%
3	输入频率 Input frequency	60Hz
4	额定功率 Rated power	80KVA
5	防护等级 IP	IP54
6	参考尺寸 Dimension	830mm*800mm*1880mm(W*D*H)

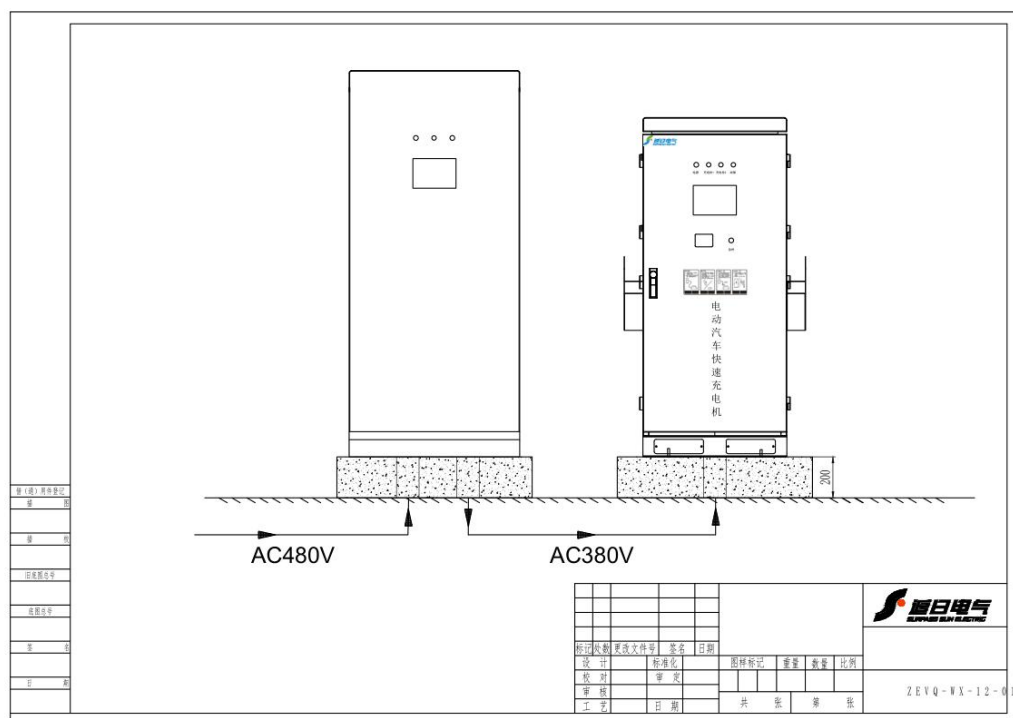
二、变压器外形图 Drawings of the Transformer



三、参考安装图片 Referential case of installation



四、安装说明 Installation instructions



如图所示，变压器和充电桩安装在水泥基础上，AC480V 电力通过地下电缆接入变压器，变压器将电力转变为 AC380V 电力后通过地下电缆接入充电桩

As shown in the picture, the **transformer** and the **charger** are installed on the cement foundation. The AC480V power is connected to the **transformer** through an underground cable. After the **transformer** converts the power into AC380V, the transformer is connected to the **charger** through an underground cable.