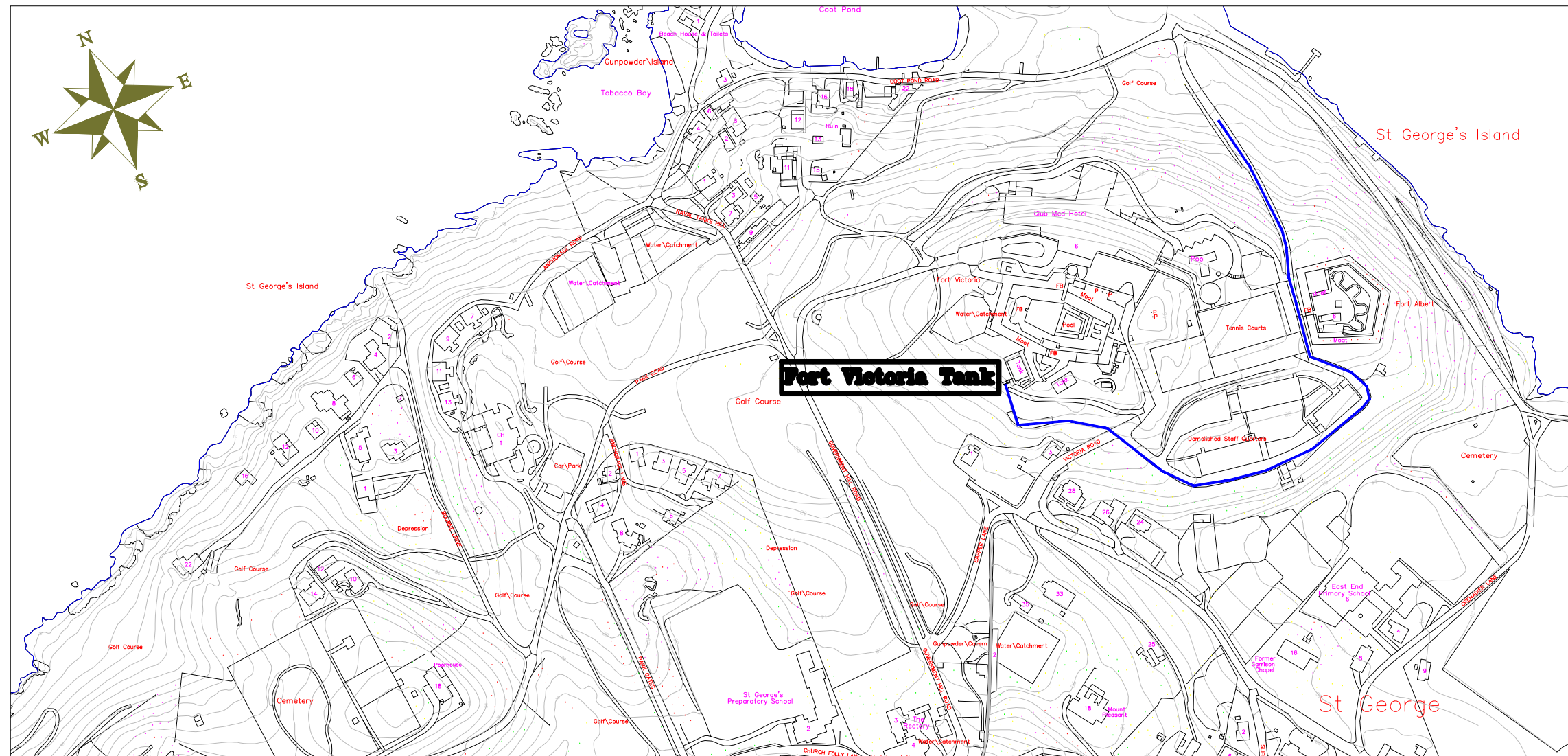




MINISTRY OF PUBLIC WORKS
HOTEL WATER SUPPLY MAIN
Victoria Road, St George's

| DRAWING LIST | |
|--------------|-------------------------------|
| SGH0 | Cover Sheet |
| SGH01 | Hotel Supply Pipeline Sheet 1 |
| SGN02 | Hotel Supply Pipeline Sheet 2 |
| SGH03 | Pipeline Details |



THE MINISTRY OF
PUBLIC WORKS

P.O. Box HM525 Hamilton HMCX Bermuda
Phone: (441)295-5151

DEPARTMENT OF OPERATIONS
AND ENGINEERING
Fax: (441)292-4219

Water and Wastewater Section

ISSUED FOR: Tender

| AMENDMENTS: | | | |
|-------------|----------|----|----------|
| NO | REVISION | BY | APP DATE |
| | | | |
| | | | |
| | | | |
| | | | |
| | | | |
| | | | |
| | | | |
| | | | |
| | | | |
| | | | |

SCALE: NTS

SURVEY
PREPARED BY: DATE:

DESIGN
PREPARED BY: DATE:

CHECKED BY: DATE:

DRAWING
PREPARED BY: DATE:
KJH
CHECKED BY: DATE:

APPROVED BY: DATE:

PROJECT NUMBER:
50/203/50

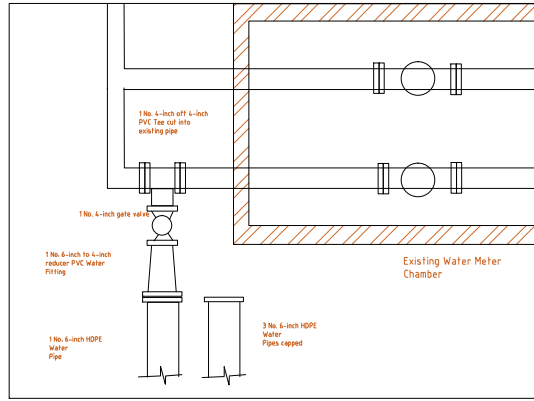
PROJECT NAME:
**St. George's Hotel
Water
Improvement Works**

Victoria Road
St. George's

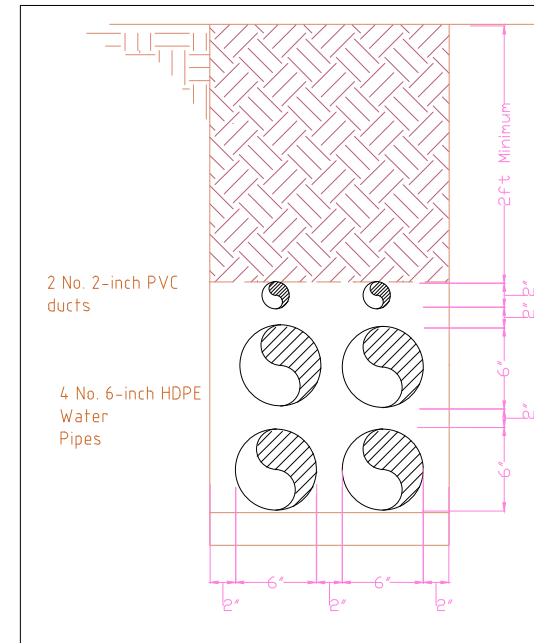
SHEET TITLE:
Cover Sheet

SHEET NUMBER:
SGH0

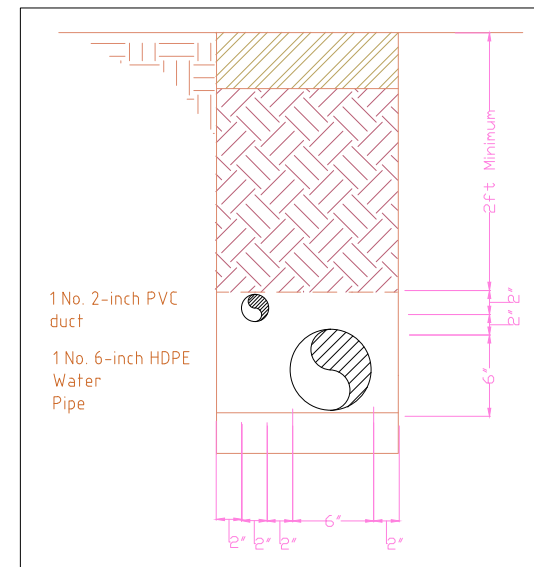
REVISION
1



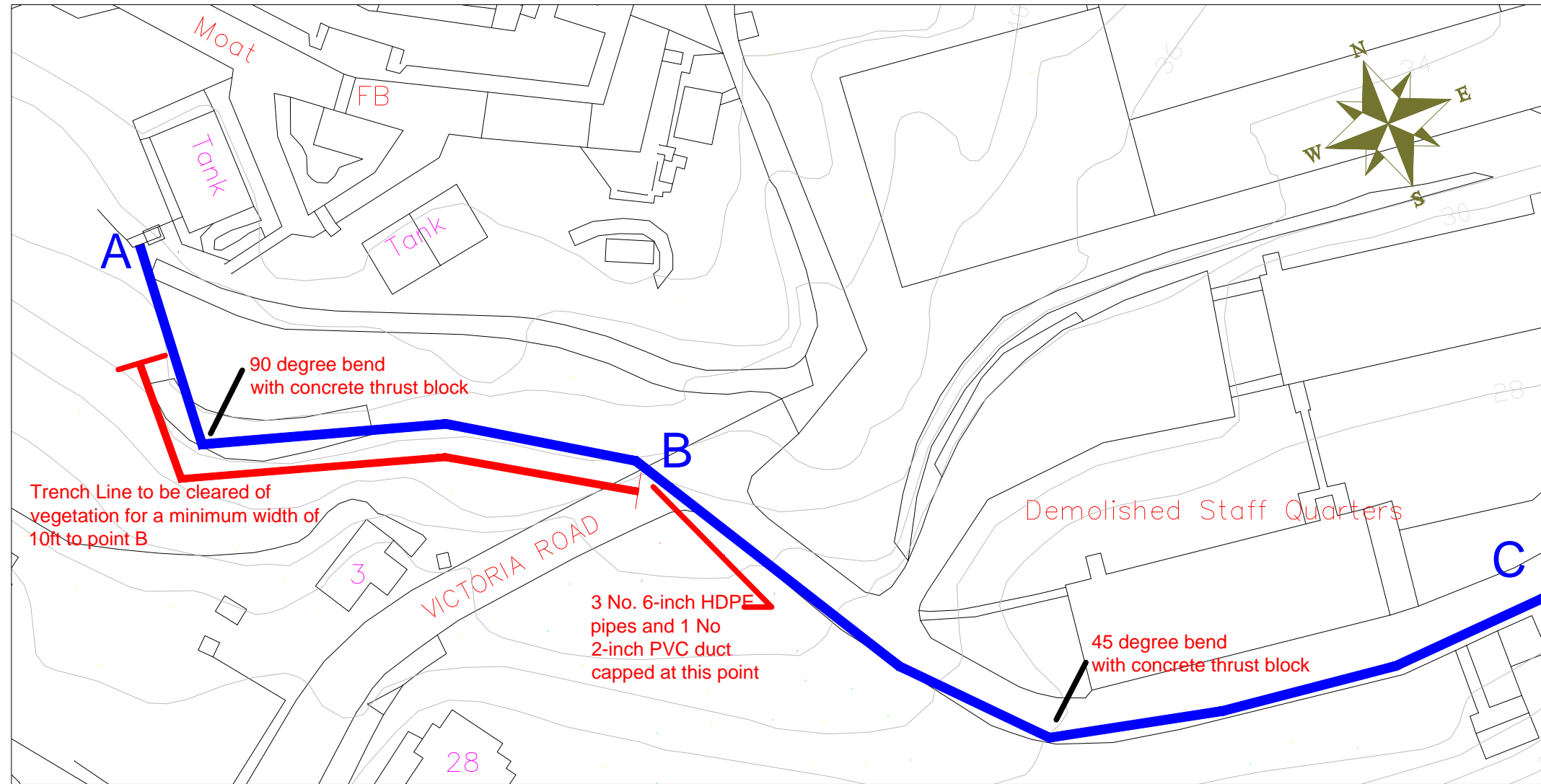
Pipe Termination
at Point A



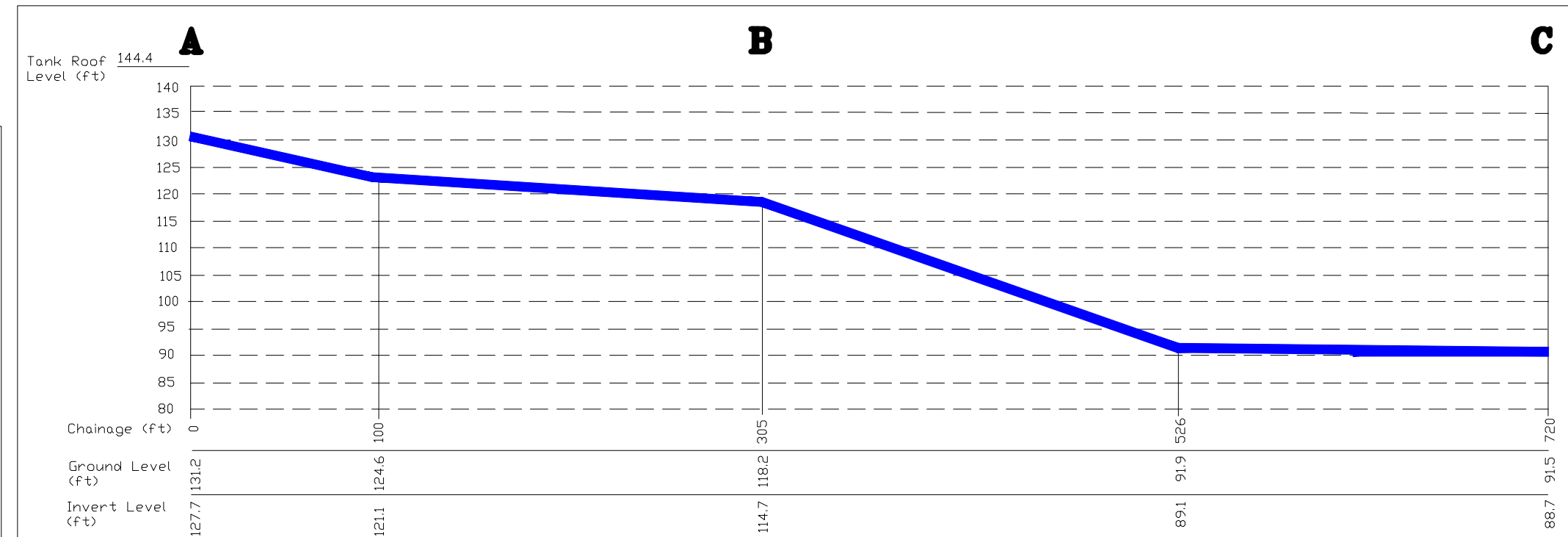
Trench A to B



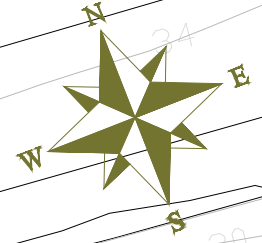
Trench B to C



PIPE ROUTE PLAN



PIPE PROFILE



ISSUED FOR: TENDER

AMENDMENTS:

| NO. | REVISION | BY | APP. | DATE |
|-----|----------|----|------|------|
| | | | | |
| | | | | |
| | | | | |
| | | | | |

SCALE: NTS

SURVEY
PREPARED BY: DATE:

DESIGN
PREPARED BY: DATE:

CHECKED BY: DATE:

DRAWING
PREPARED BY: DATE:

CHECKED BY: DATE:

APPROVED BY: DATE:

PROJECT NUMBER:
50/203/50

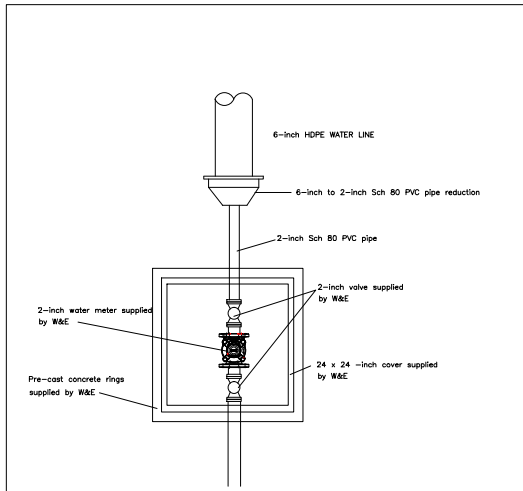
PROJECT NAME:
**St. George's Hotel
Water
Improvement Works**

Victoria Road
St. George

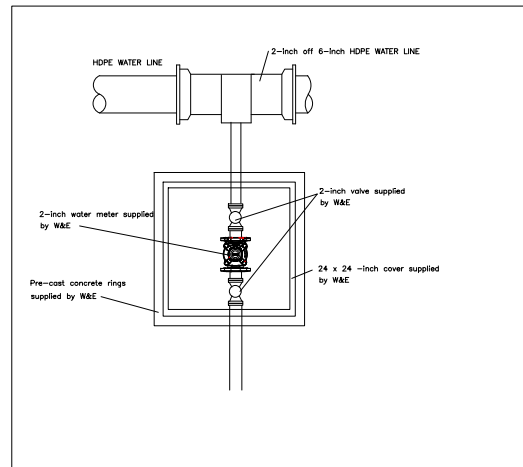
SHEET TITLE:
**HOTEL SUPPLY PIPELINE
Sheet 1**

SHEET NUMBER:
SGH01

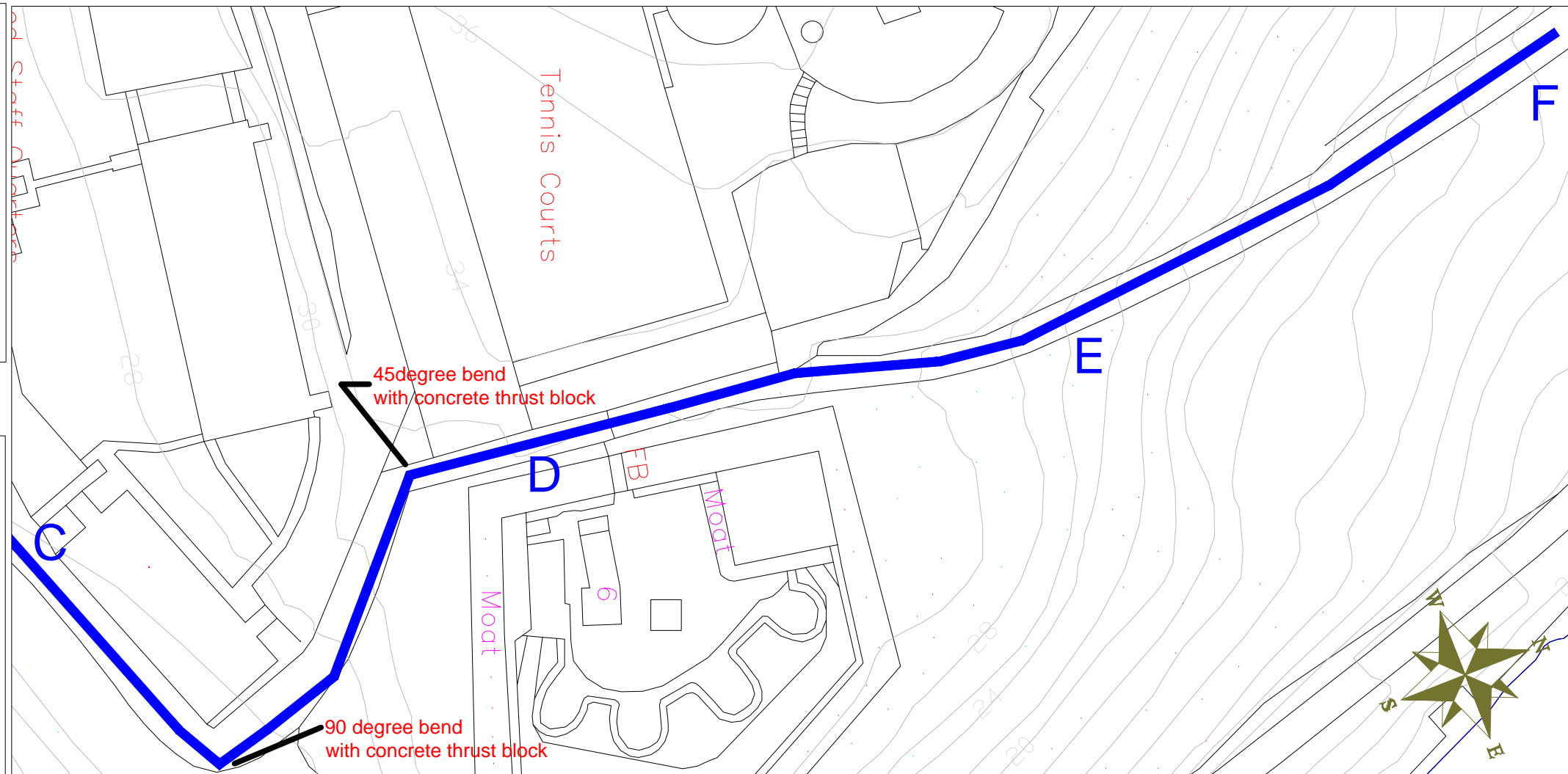




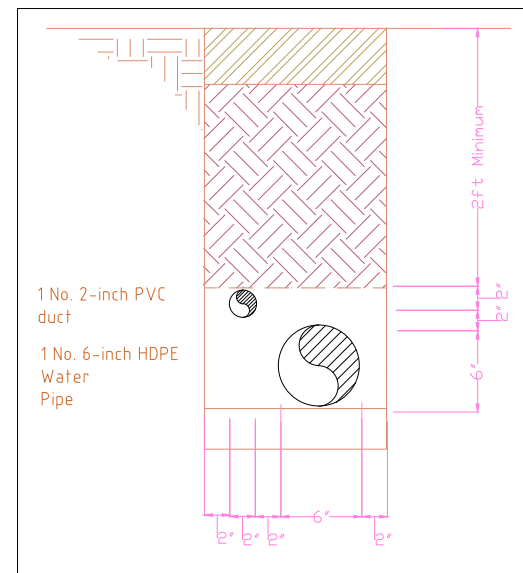
Pipe Termination
at Point F



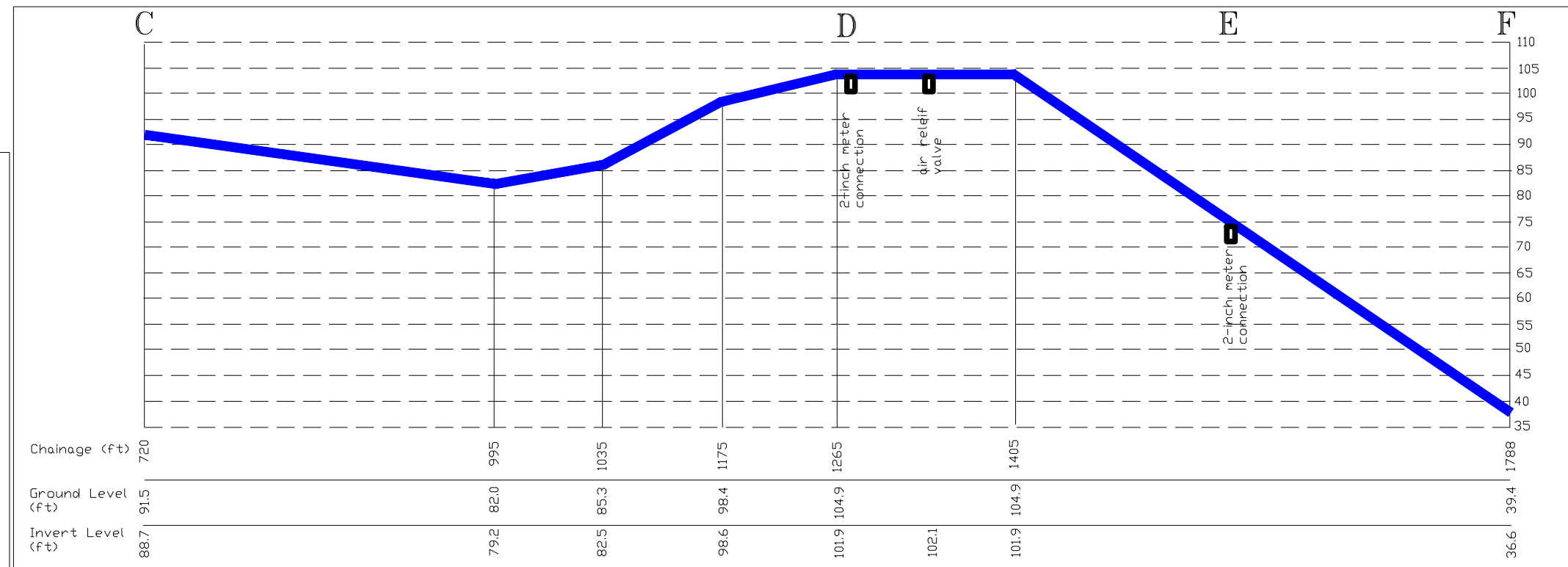
Water Meter Detail



PIPE ROUTE PLAN



Trench C to F



PIPE PROFILE

ISSUED FOR: TENDER

AMENDMENTS:

| NO | REVISION | BY | APP | DATE |
|----|----------|----|-----|------|
| | | | | |
| | | | | |
| | | | | |
| | | | | |
| | | | | |
| | | | | |
| | | | | |

SCALE: NTS

SURVEY
PREPARED BY: DATE:

DESIGN
PREPARED BY: DATE:

CHECKED BY: DATE:

DRAWING
PREPARED BY: DATE:
KJH
CHECKED BY: DATE:

APPROVED BY: DATE:

PROJECT NUMBER:
50/203/50

PROJECT NAME:
St. George's Hotel
Water
Improvement Works

Victoria Road
St. George

SHEET TITLE:
HOTEL SUPPLY PIPELINE
Sheet 2

SHEET NUMBER:
SGH02

REVISION
1

ISSUED FOR: TENDER AUG-2017

AMENDMENTS:

| NO | REVISION | BY | APP | DATE |
|----|----------|----|-----|------|
| | | | | |
| | | | | |
| | | | | |
| | | | | |
| | | | | |
| | | | | |
| | | | | |

SCALE: NTS

SURVEY
PREPARED BY: DATE:

DESIGN
PREPARED BY: DATE: 3/08/2017
KC
CHECKED BY: DATE:

DRAWING
PREPARED BY: DATE: 3/08/2017
KC
CHECKED BY: DATE:

APPROVED BY: DATE: 3/08/2017
KC

PROJECT NUMBER:

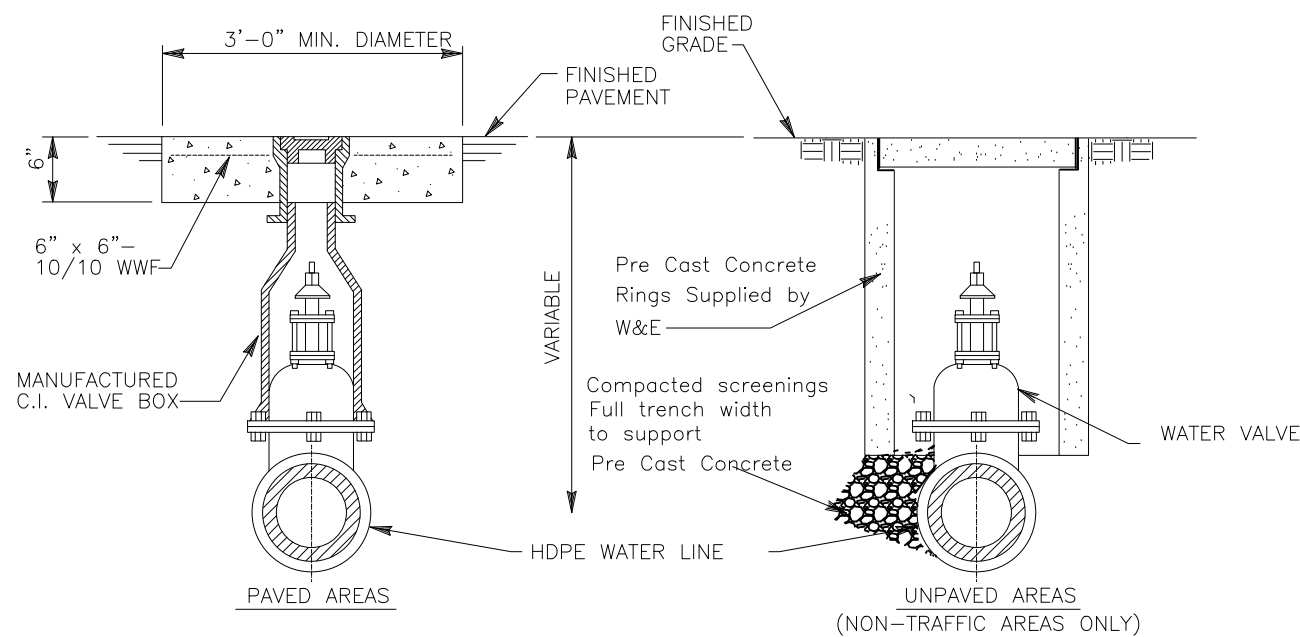
PROJECT NAME:

**ST GEORGE'S HOTEL
WATER
IMPROVEMENT WORKS**

SHEET TITLE:
PIPELINE-DETAILS

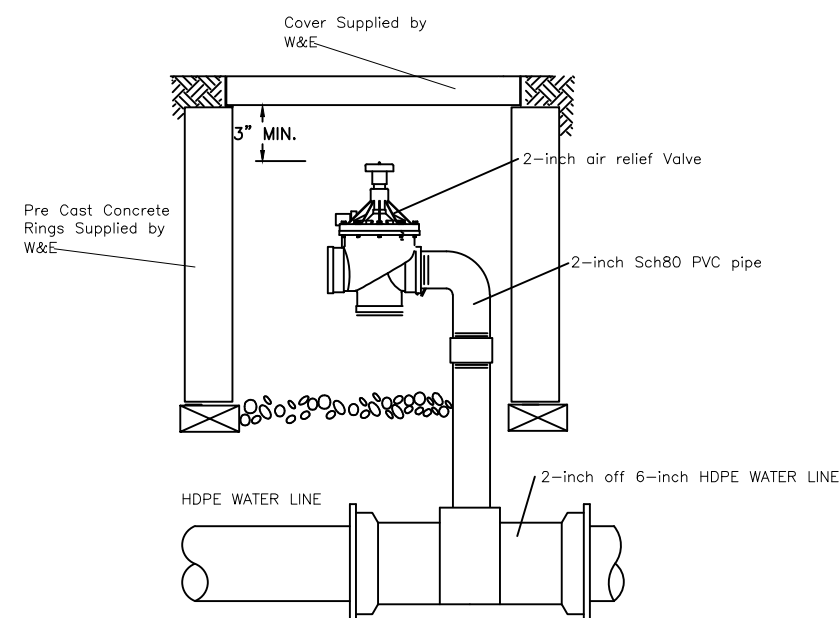
SHEET NUMBER:
SGH03

REVISION
ACAD 2010



TYPICAL VALVE BOX DETAILS
N.T.S.

VALVE BOX DETAILS
N.T.S.



AIR RELIEF VALVE BOX DETAILS
N.T.S.