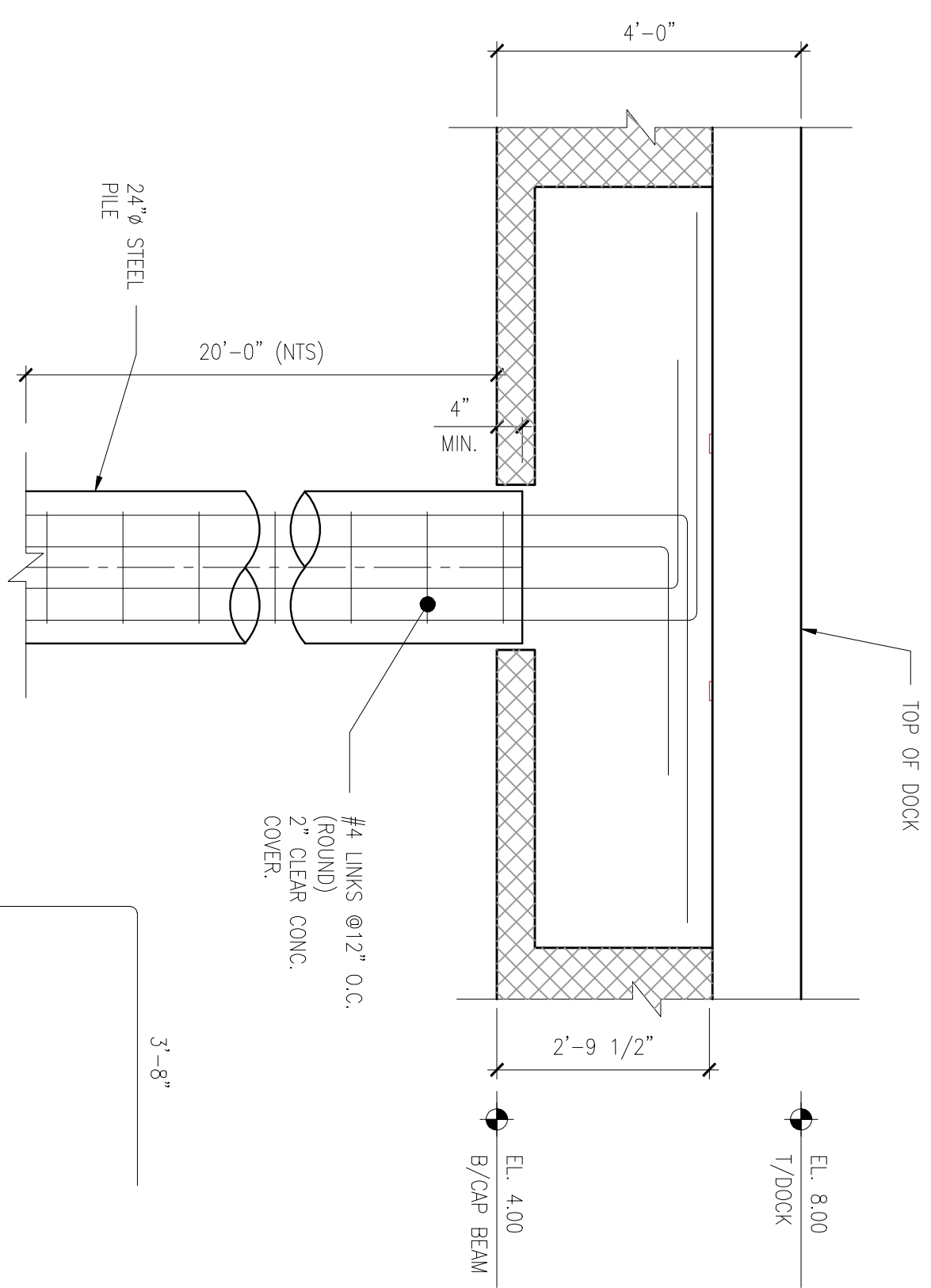
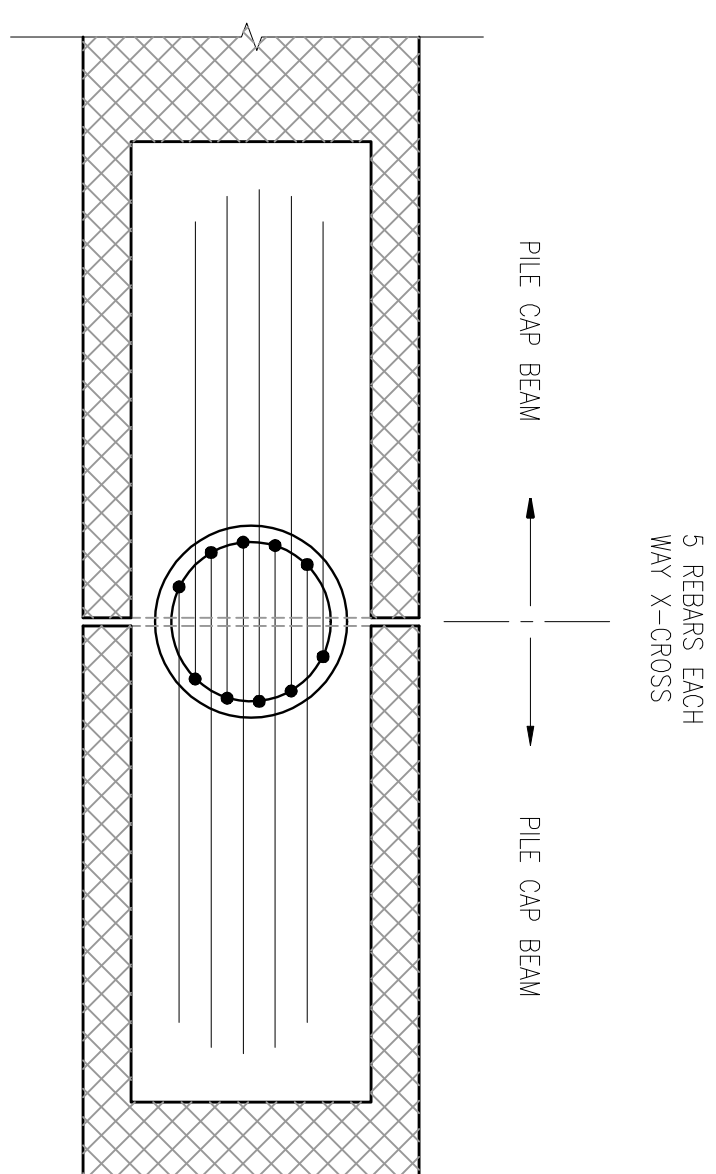
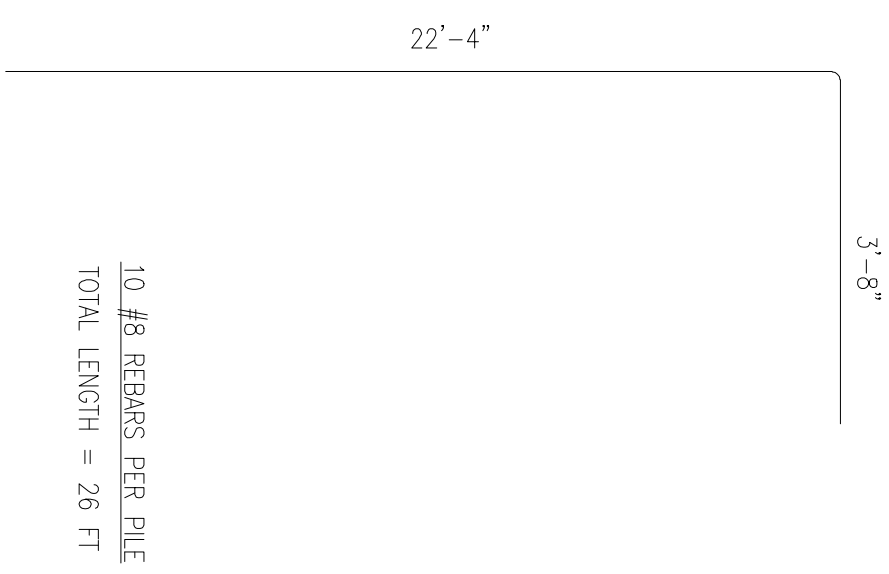


**GENERAL NOTES**  
 1. REFER TO DWG. S-0 FOR GENERAL NOTES AND SPECIFICATIONS.

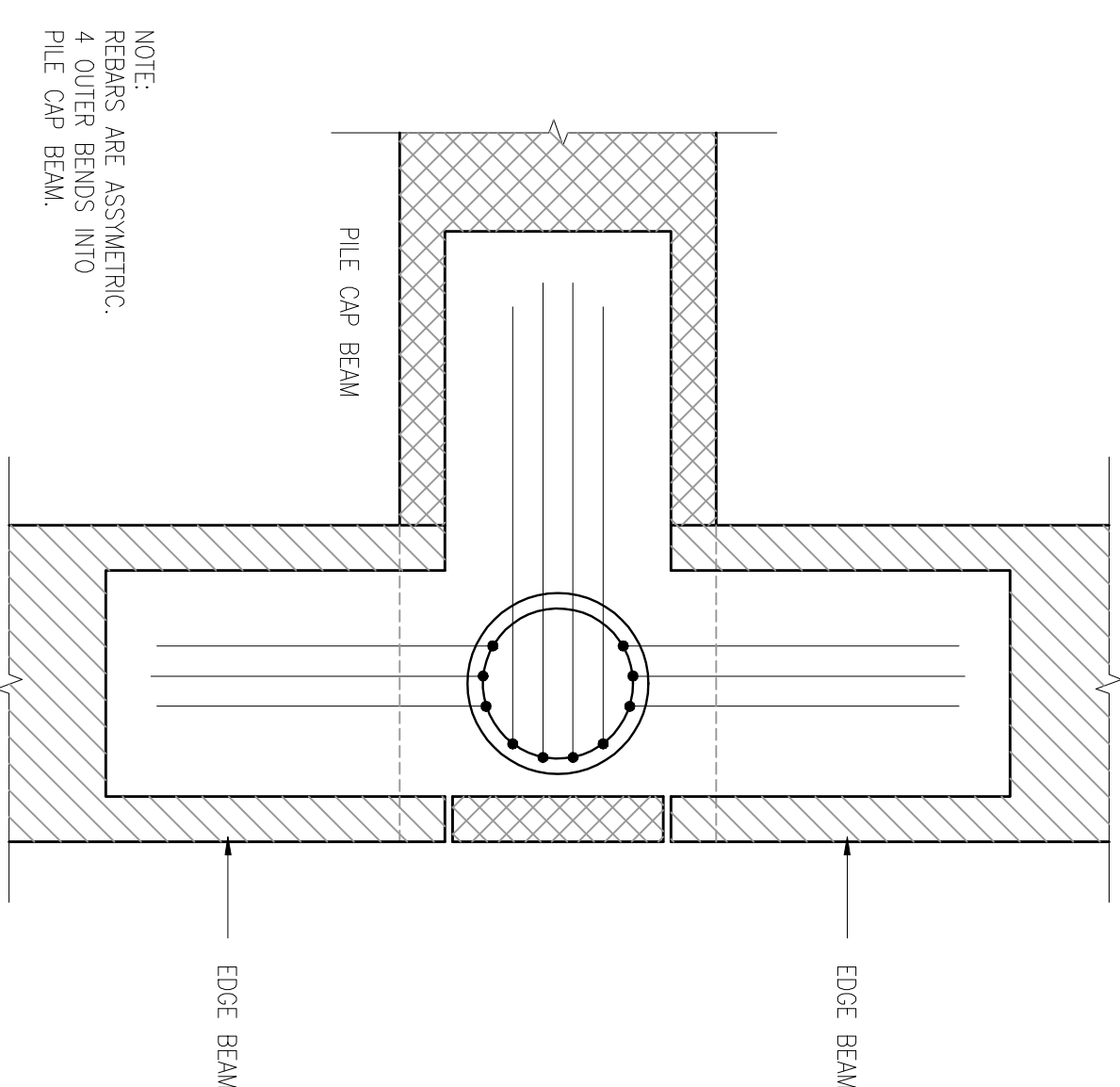
**AS BUILT**



**1 DETAIL -** BRG BENDING FOR PILES UNDER MAIN CAP BEAM  
 S-16 SCALE: 1/2"=1'-0"

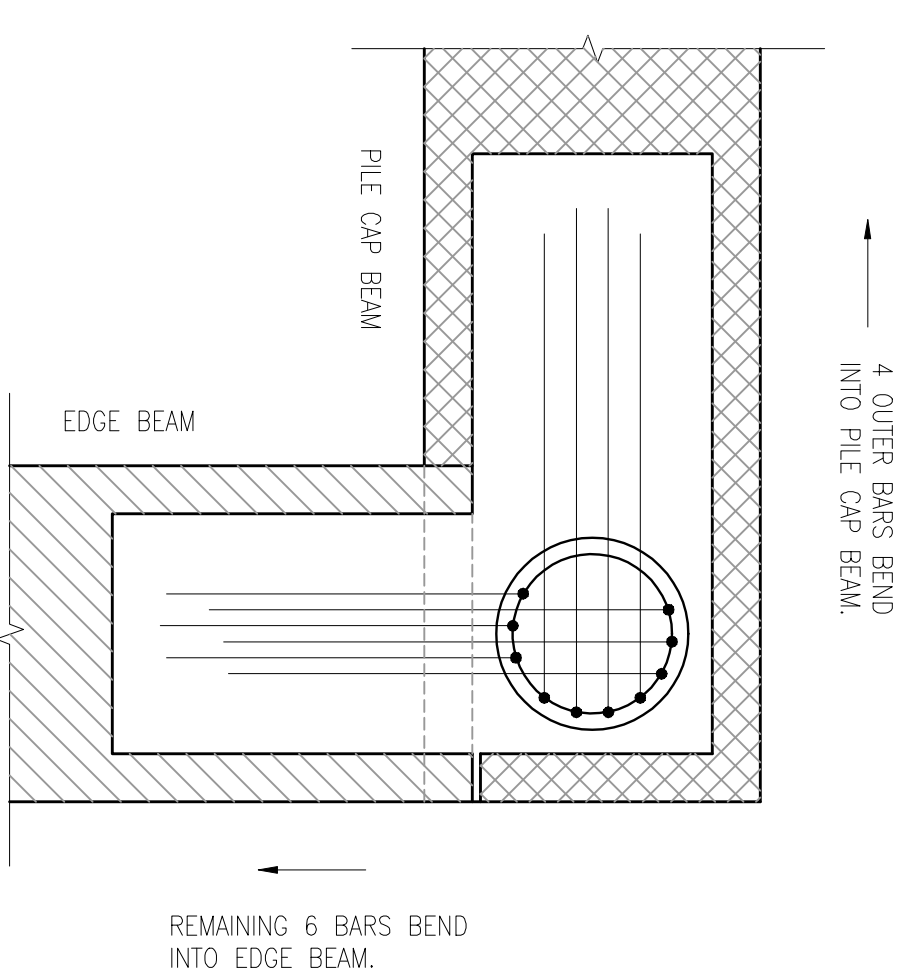


**TYPE A**  
 PLAN OVER PILE CAP BEAMS AT INTERNAL PILES SHOWING PILE REINFORCEMENT



NOTE:  
 REBARS ARE ASYMMETRIC.  
 4 OUTER BARS BEND INTO PILE CAP BEAM.

**TYPE B**  
 PILE REBARS AT TEE JUNCTION



REMAINING 6 BARS BEND INTO EDGE BEAM.

**TYPE C**  
 PILE REBARS AT CORNER

**2 PLANS OVER PILE CAP BEAMS**  
 S-16 SCALE: 1/2"=1'-0"  
 TYPE A  
 TYPE B  
 TYPE C

designed by	DR	scale	AS SHOWN
drawn by	ep	job no.	E07017
checked by	DR	drawing no.	
approved by	-		
date	JUL 07		
CLIENT	<b>WEST END DEVELOPMENT CORPORATION</b>		
PROJECT	PROPOSED ROYAL NAVAL DOCKYARD CRUISE IMPROV. DOCKYARD, BERMUDA		
TITLE	SECTIONS & DETAILS		

**EnTech** LIMITED  
 ENGINEERING / PLANNING CONSULTANTS  
 P.O. BOX HM 2574 HAMILTON HMXX BERMUDA  
 TEL. (441) 282-9182 FAX. (441) 282-9488  
 EMAIL: admin@entech.com