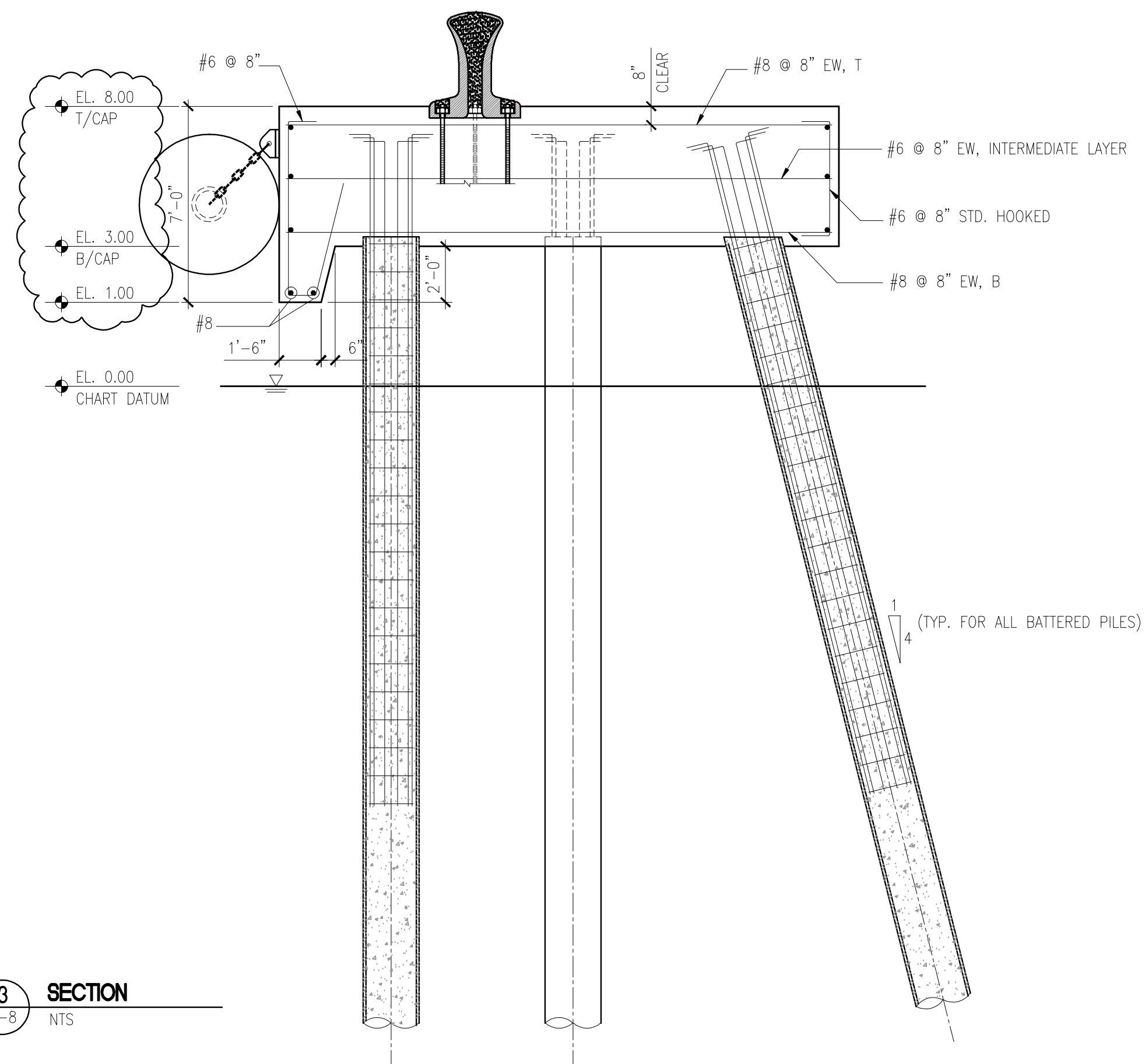
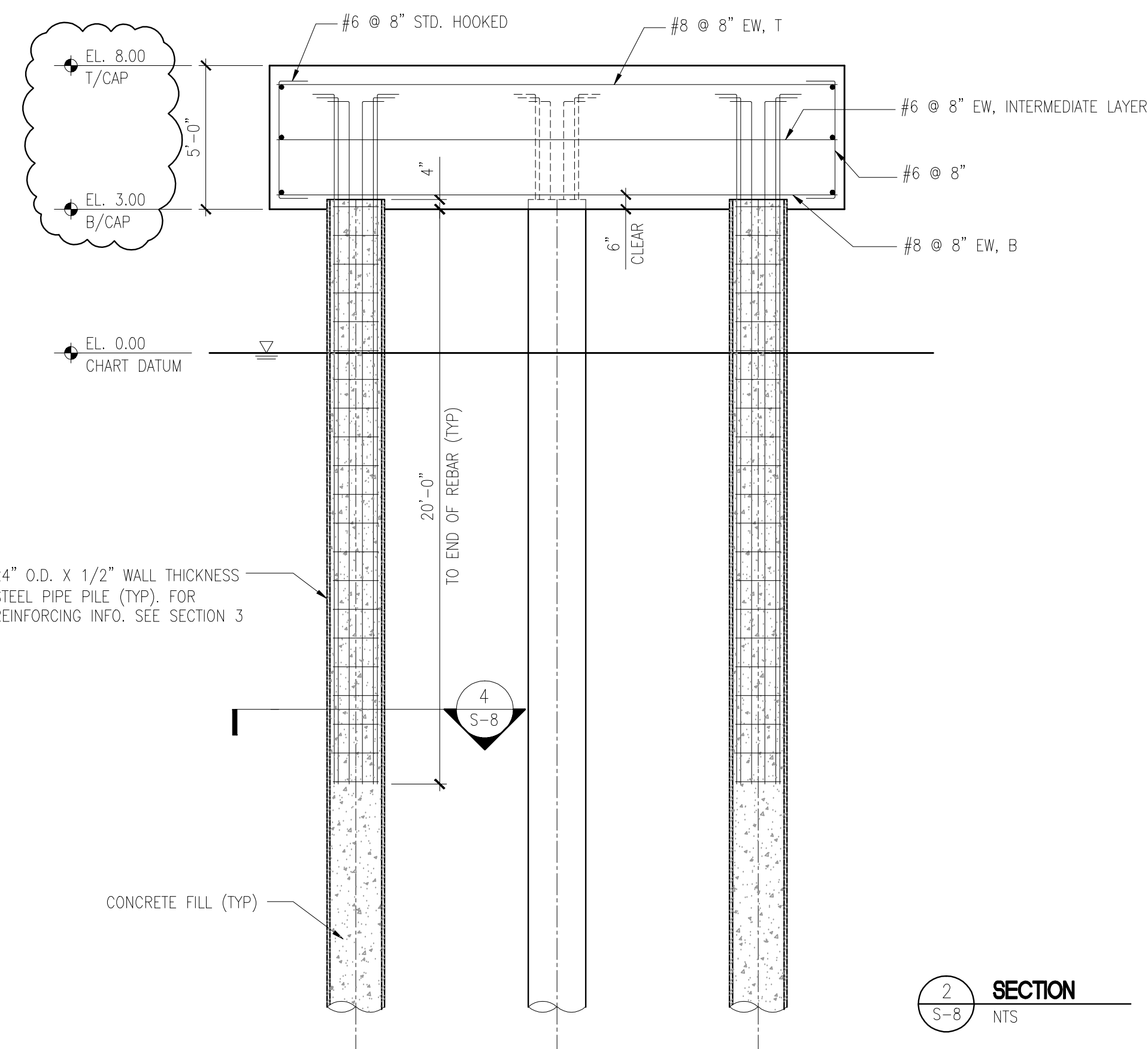
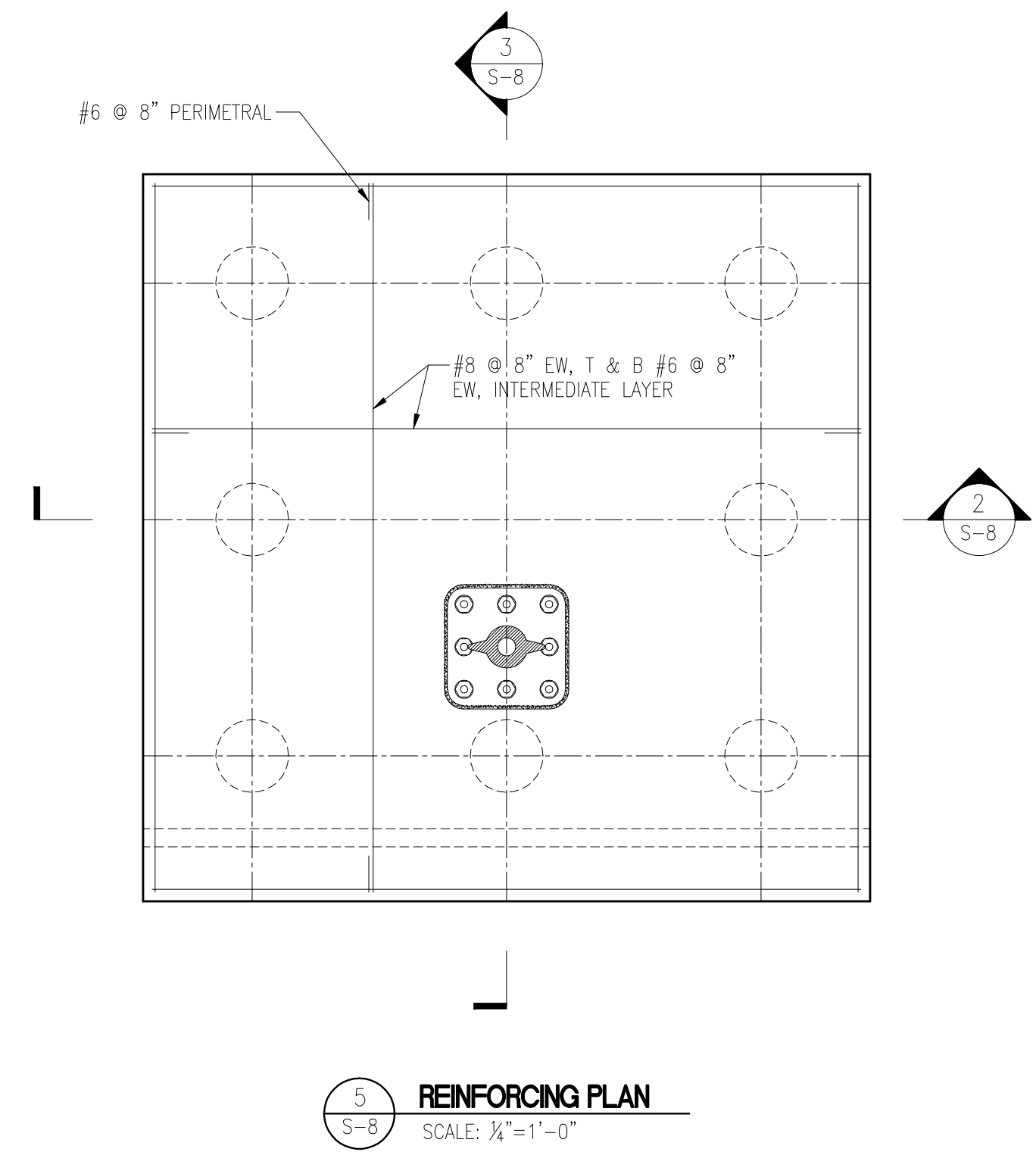
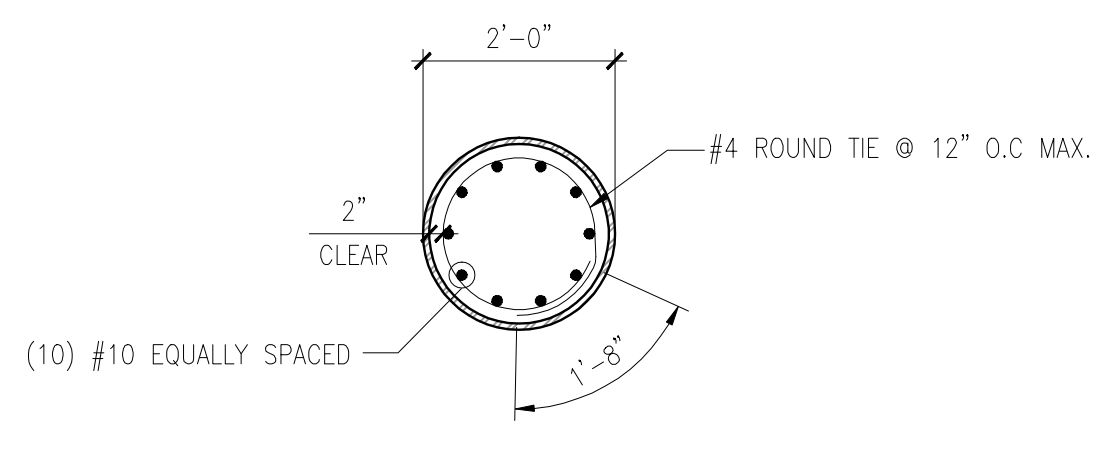
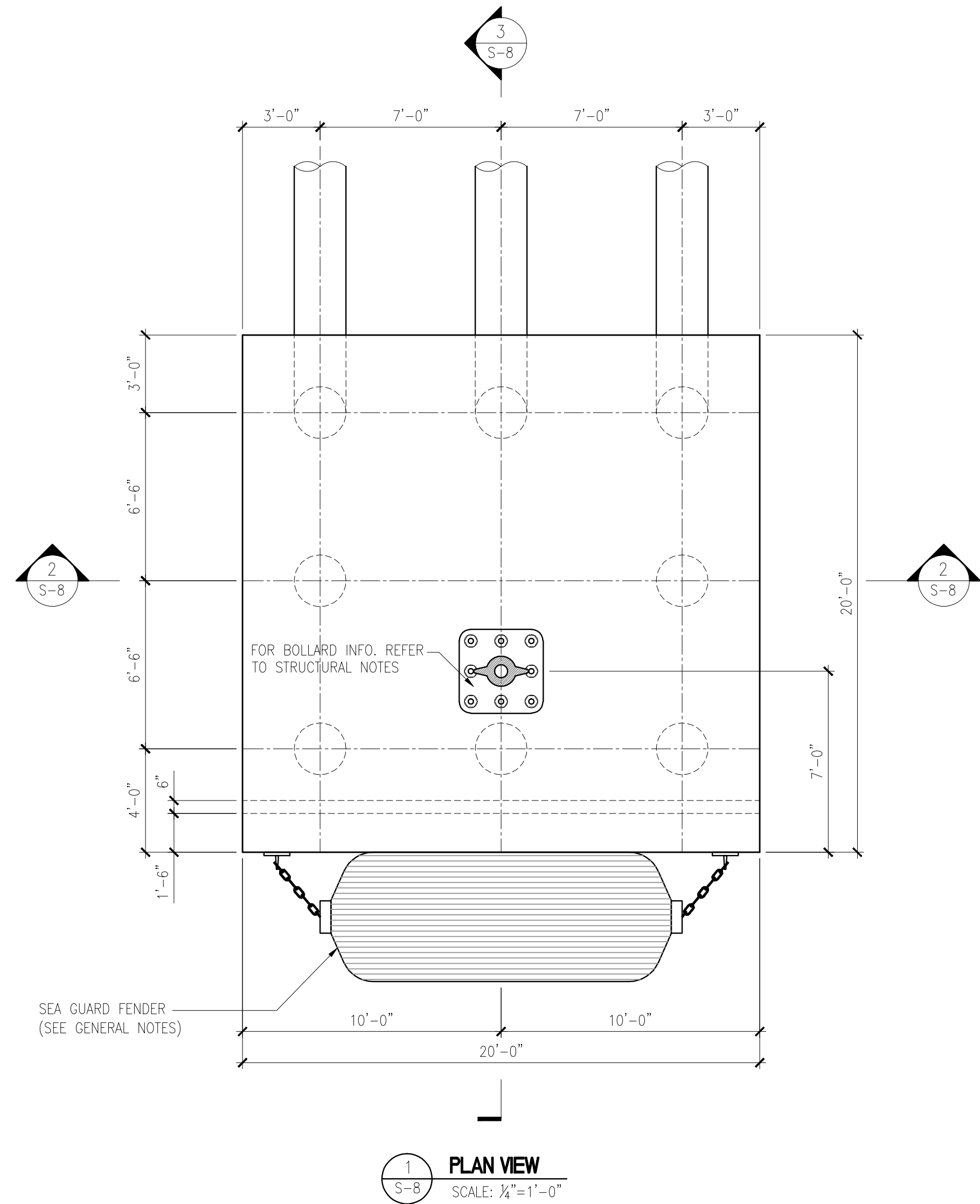


GENERAL NOTES

1. REFER TO DWG. S-0 FOR GENERAL NOTES AND SPECIFICATIONS.

AS BUILT



DATE	No.	REVISION
30.AUG.'07	-	ADJUSTED ELEVATIONS
01.MAY.'07	-	ISSUED FOR BUILDING PERMIT

CONTRACTORS SHALL VERIFY ALL DIMENSIONS AND UTILITY LOCATIONS ON THE JOB SITE.

designed by	DR	scale	AS SHOWN
drawn by	-	job no.	E07017
checked by	DR	drawing no.	S-8
approved by	-	date	March 07

CLIENT
WEST END DEVELOPMENT CORPORATION

PROJECT
PROPOSED ROYAL NAVAL DOCKYARD CRUISE IMPROV. DOCKYARD, BERMUDA

TITLE
BREASTING DOLPHIN



P.O. BOX HM 2574 HAMILTON HM-KX BERMUDA
TEL. (441)-292-9192 FAX. (441)-292-9468 EMAIL. admin@entech.bm