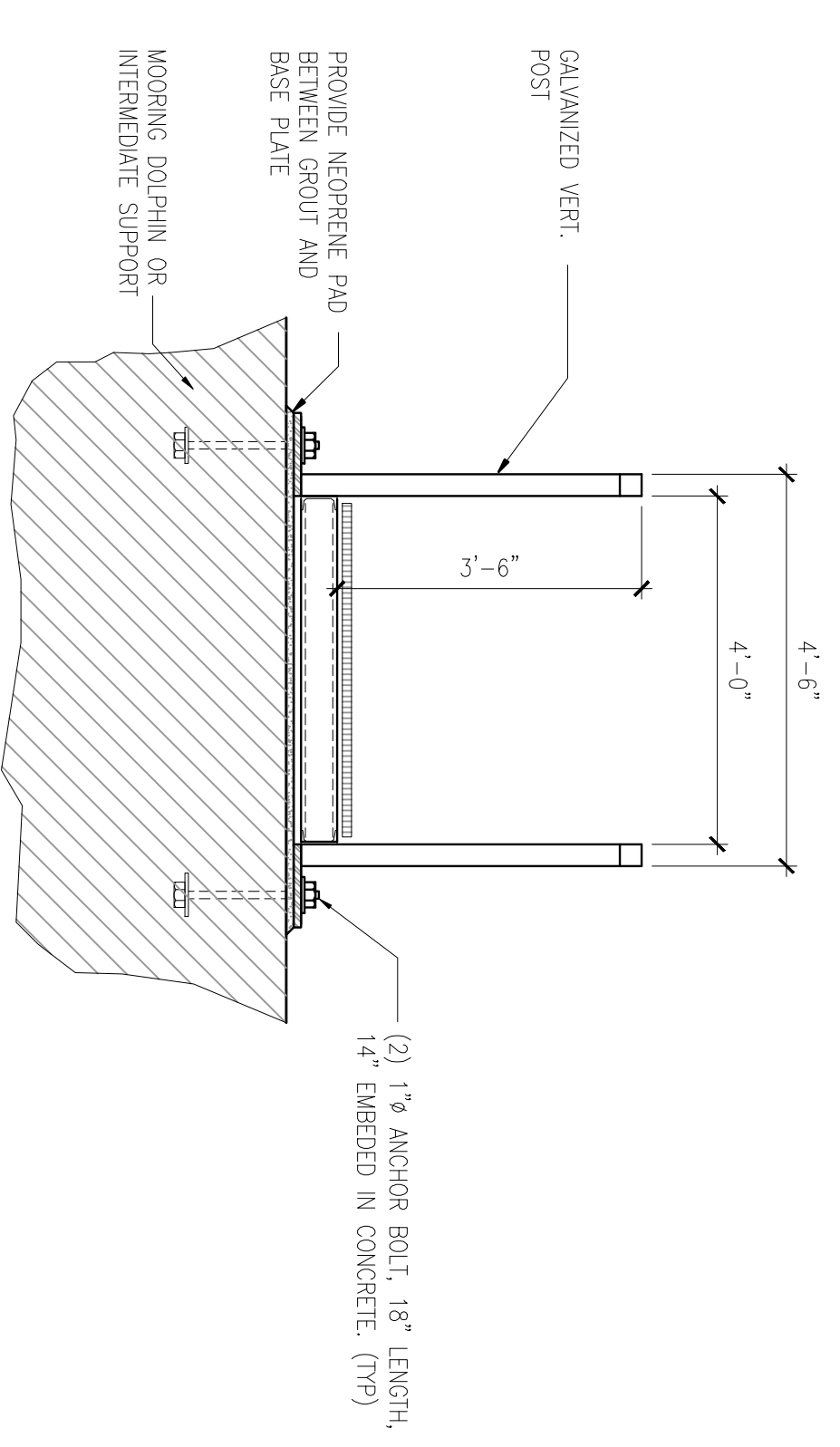
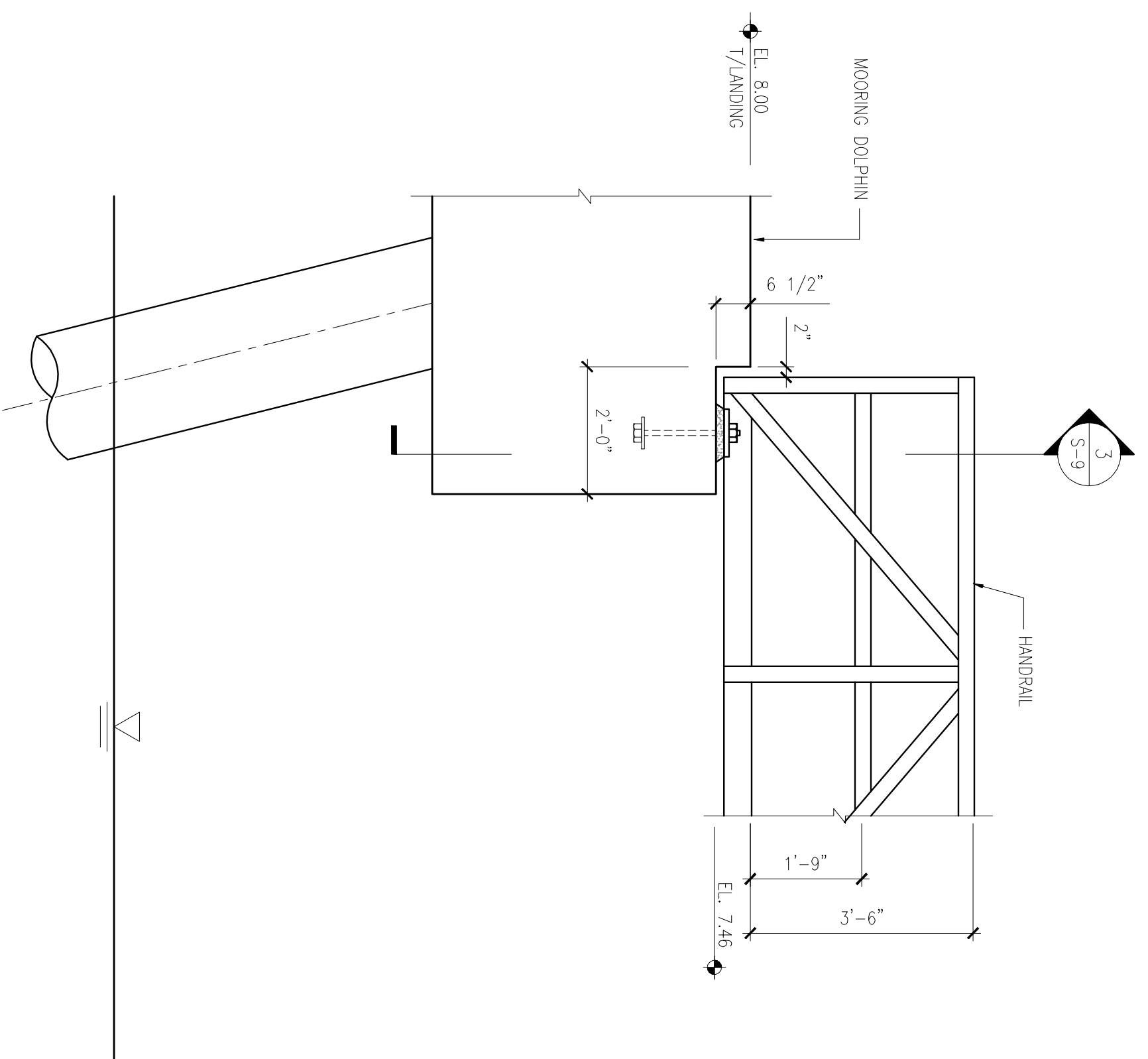


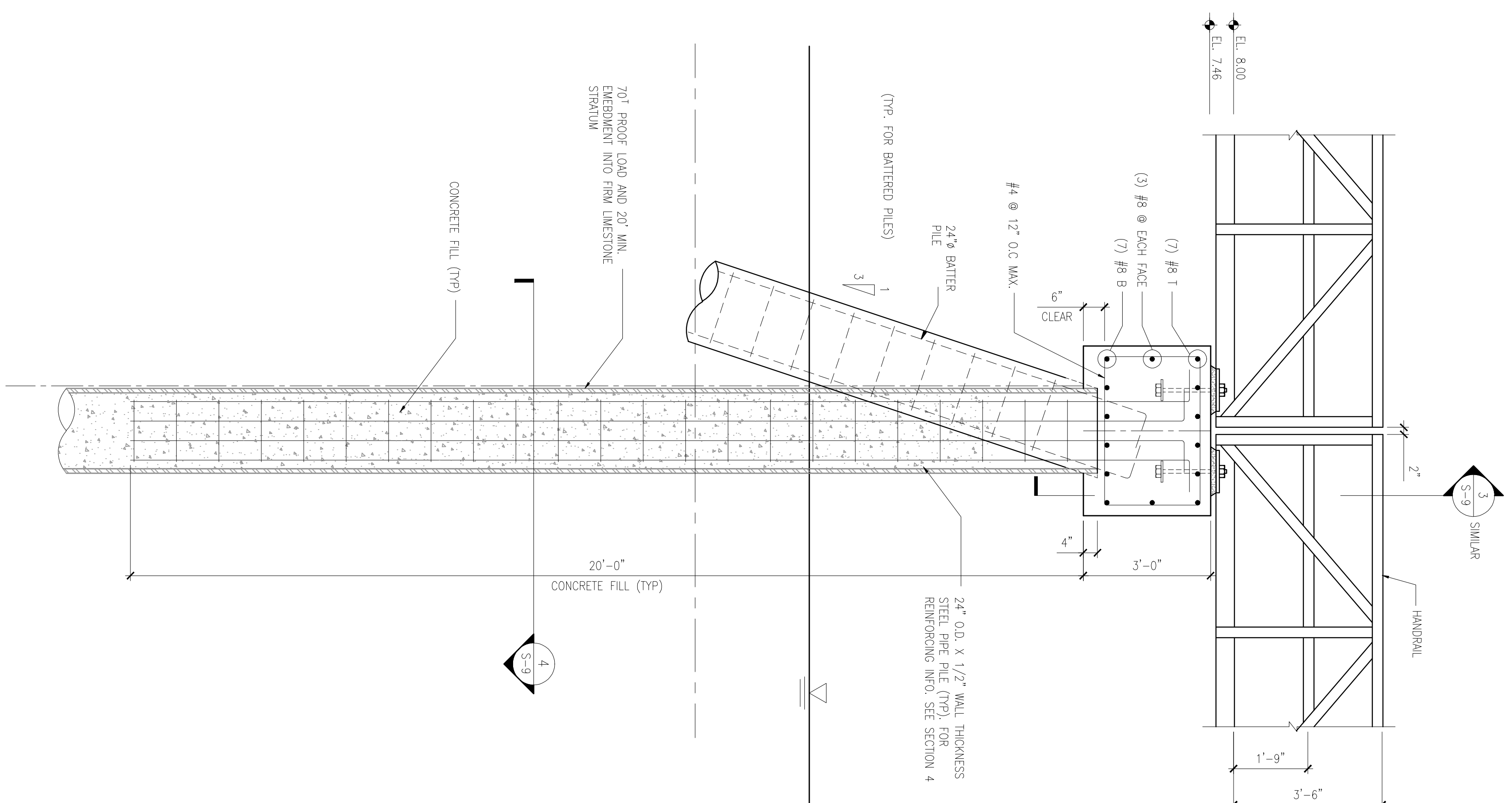
GENERAL NOTES
1. REFER TO DWG. S-0 FOR GENERAL NOTES AND SPECIFICATIONS.



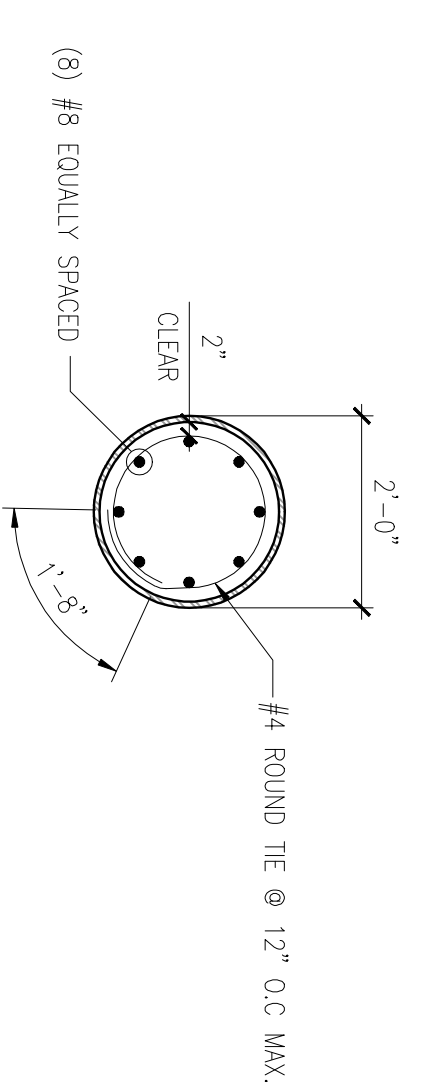
3 CATWALK SECTION
SCALE: 1/2"=1'-0"



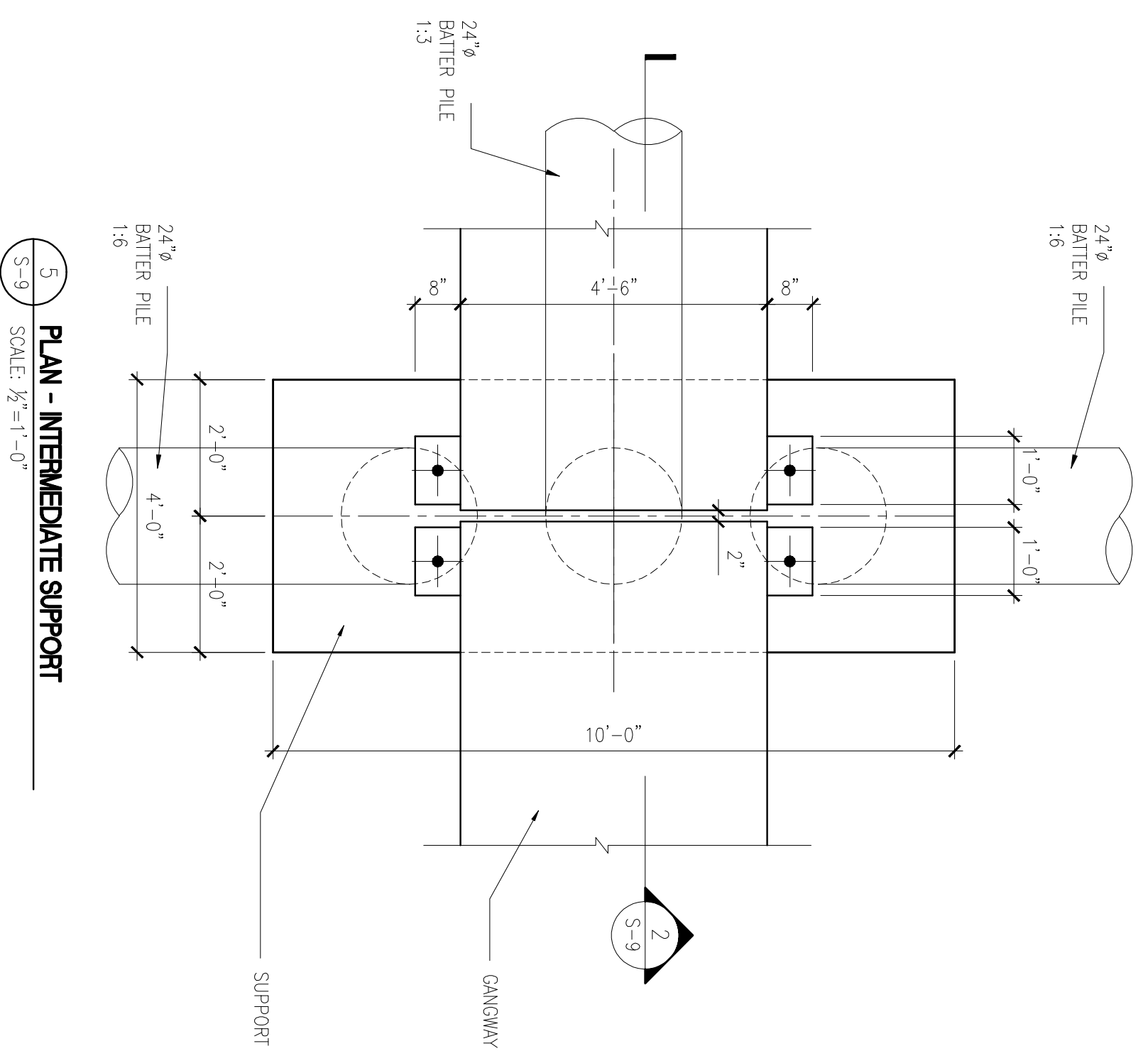
1 CATWALK CONNECTION TO MOORING DOLPHIN
SCALE: 3/4"=1'-0"



2 INTERMEDIATE SUPPORT - CATWALK CONNECTION (70' PILE)
SCALE: 3/4"=1'-0"



4 PILE CROSS SECTION
SCALE: 1/2"=1'-0"



5 PLAN - INTERMEDIATE SUPPORT
SCALE: 3/4"=1'-0"

- NOTES:
1. A MINIMUM PILE EMBEDMENT LENGTH OF 18 FT.
2. USE 1/4" FILET WELD.
3. REFER TO SHOP DWGS BY RAWENS MARINE FOR GANGWAY DETAILS.

AS BUILT

24 MAR '09	-	REVISED SUPPORTING DETAILS
15 SEP '08	-	CATWALK CONNECTION DETAILS
30 AUG '07	-	ADJUSTED ELEVATIONS
01 MAY '07	-	ISSUED FOR BUILDING PERMIT
DATE	NO.	REVISION

CONTRACTORS SHALL VERIFY ALL DIMENSIONS AND UTILITY LOCATIONS ON THE JOB SITE.

designed by	DR	scale	AS SHOWN
drawn by	-	job no.	E07017
checked by	DR	drawing no.	-
approved by	-	date	March 07

CLIENT
WEST END DEVELOPMENT CORPORATION

PROJECT
PROPOSED ROYAL NAVAL DOCKYARD CRUISE IMPROV. DOCKYARD, BERMUDA

TITLE
CATWALK PLAN & SECTIONS

EnTech
LIMITED
ENGINEERING / PLANNING CONSULTANTS

P.O. BOX HM 2574
HAMILTON HMXX
BERMUDA

TEL: (441) 282-9182
FAX: (441) 282-9488
EMAIL: admin@entech.bm