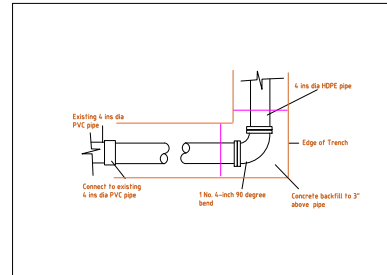
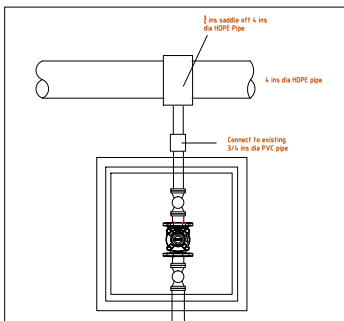


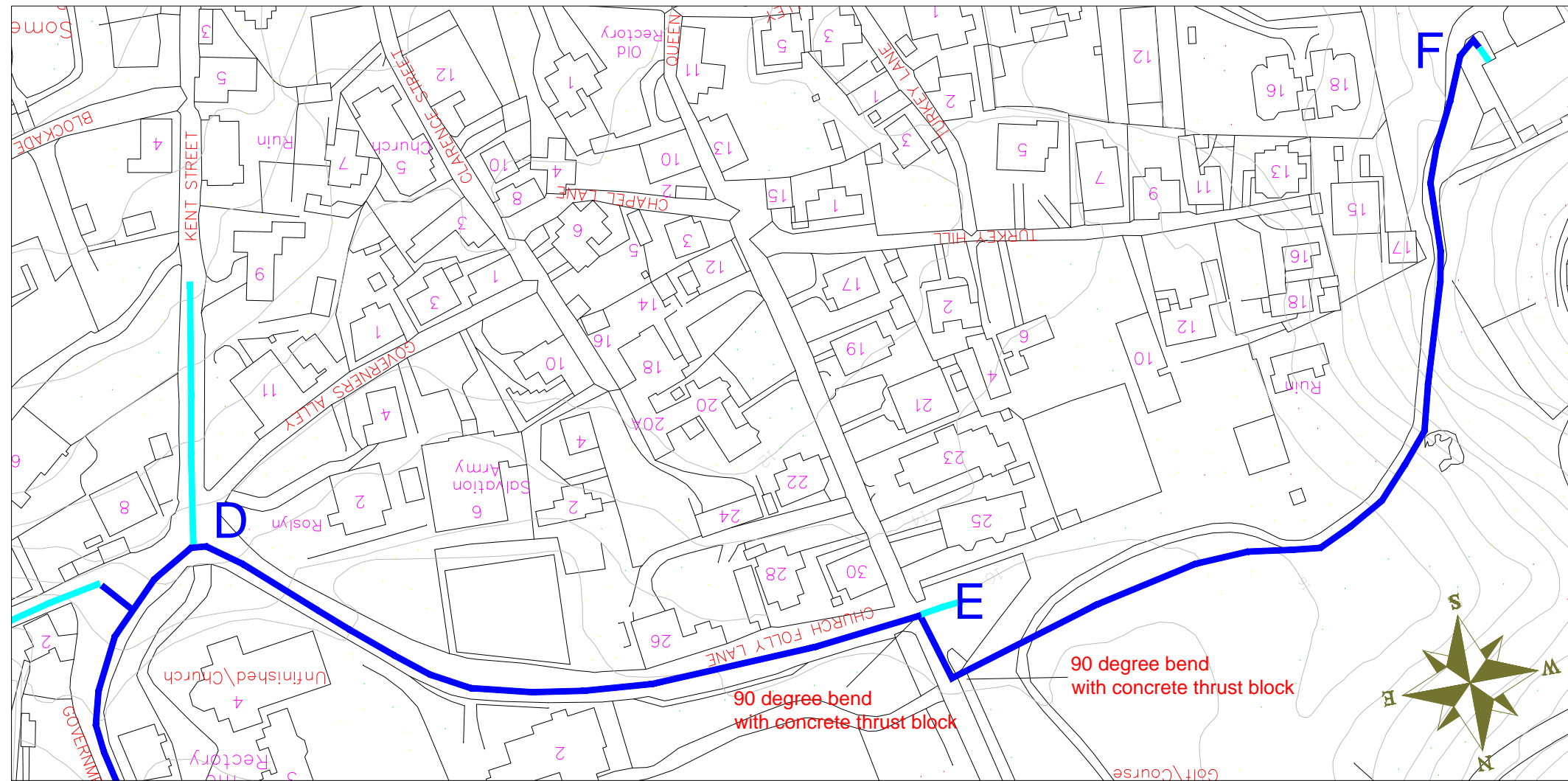
Pipe at Point E



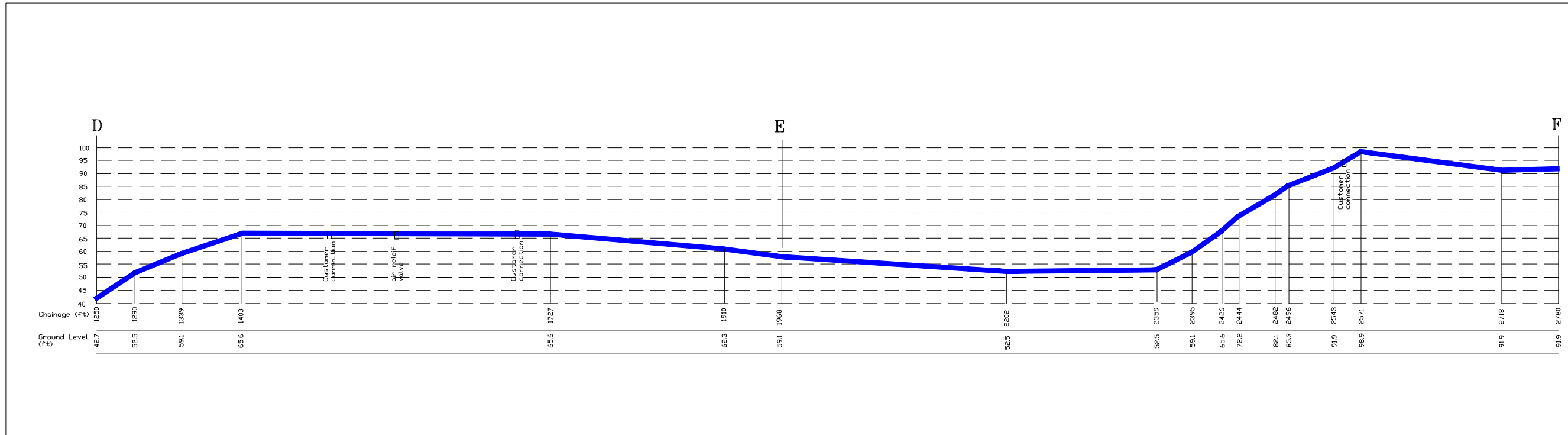
Pipe at Point F



Customer Connection Detail



PIPE ROUTE PLAN



PIPE PROFILE

ISSUED FOR:		TENDER	
AMENDMENTS:			
NO	REVISION	BY	APP DATE

SCALE: NTS

SURVEY PREPARED BY:		DATE:
DESIGN PREPARED BY:		DATE:
CHECKED BY:		DATE:
DRAWING PREPARED BY:		DATE:
CHECKED BY:		DATE:
APPROVED BY:		DATE:

PROJECT NUMBER:  
50/203/50

PROJECT NAME:

Water Main  
Improvements  
St George's

Victoria Rd to Somner Rd  
St. George's

SHEET TITLE:  
NEW PIPELINE  
Sheet 2

SHEET NUMBER:  
SGI3

REVISION  
1