



DATE: 21st January 2016

METHOD OF DELIVERY:

PROJECT NAME & NO.: 50/200

POSTED ON www.opmp.gov.bm

This Addendum forms part of the RFP documents and will be subject to all of the conditions set out in the contract conditions.

This Addendum One contains (One) page.

Addendum One

A. Bidder's Questions (Q) and Government's Responses (A).

The following are answers to queries received from bidders

Q1. What is the specification for the 1500 gallon catch basin?

A1. The catch basin is to be of pre-cast concrete construction and the size of the basin shall be similar to the attached sketch. The details are offered as an example. Brand names are used to indicate general performance and quality levels. Unless otherwise noted, it is understood that other brands or models will be accepted on an "or equal" basis. A brand name has been used for the purpose of designating the standard of quality, performance, and characteristics desired and is not intended to restrict competition

Q2. How is the transition from the 10inch dia outlet to be transitioned to the 8 inch dia discharge pipe?

A2. A concentric change piece is to be installed on the first vertical section discharge pipe downstream of the BEAST equipment. The contractor shall include in his price for all 10inch dia pipe required before the transition.

Q3. How is the flow to be controlled at the joint between the new discharge point and the existing macerator discharge?

A3. An additional 8inch diameter manual valve is to be installed on the new discharge pipe directly before connecting to the old pipework

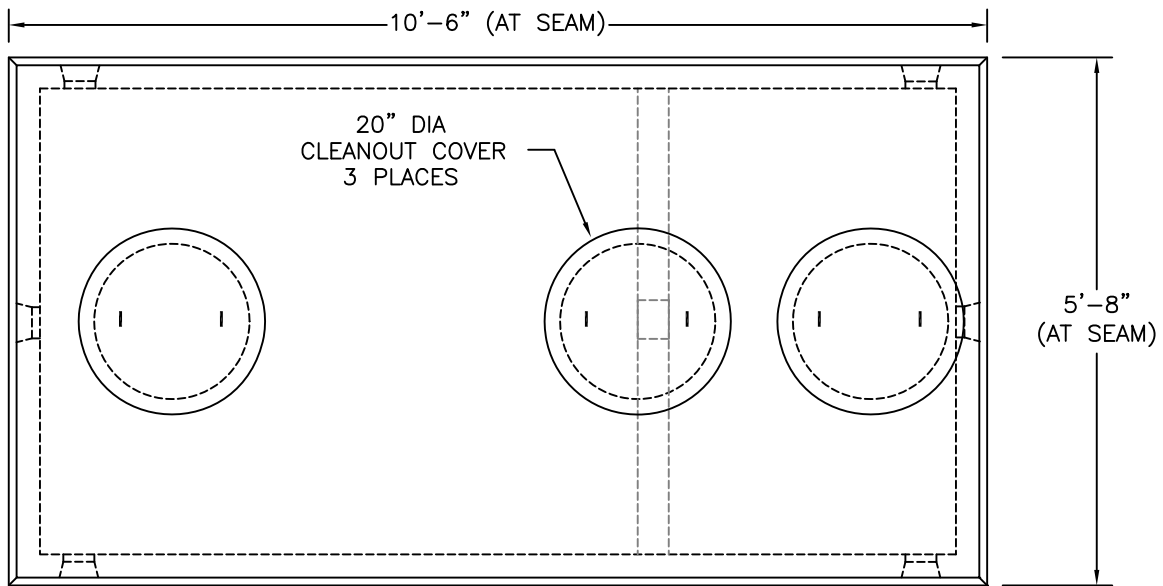
Bidders must acknowledge receipt of this Addendum (One) by emailing

tjchristopher@gov.bm cc: kclaridge@gov.bm

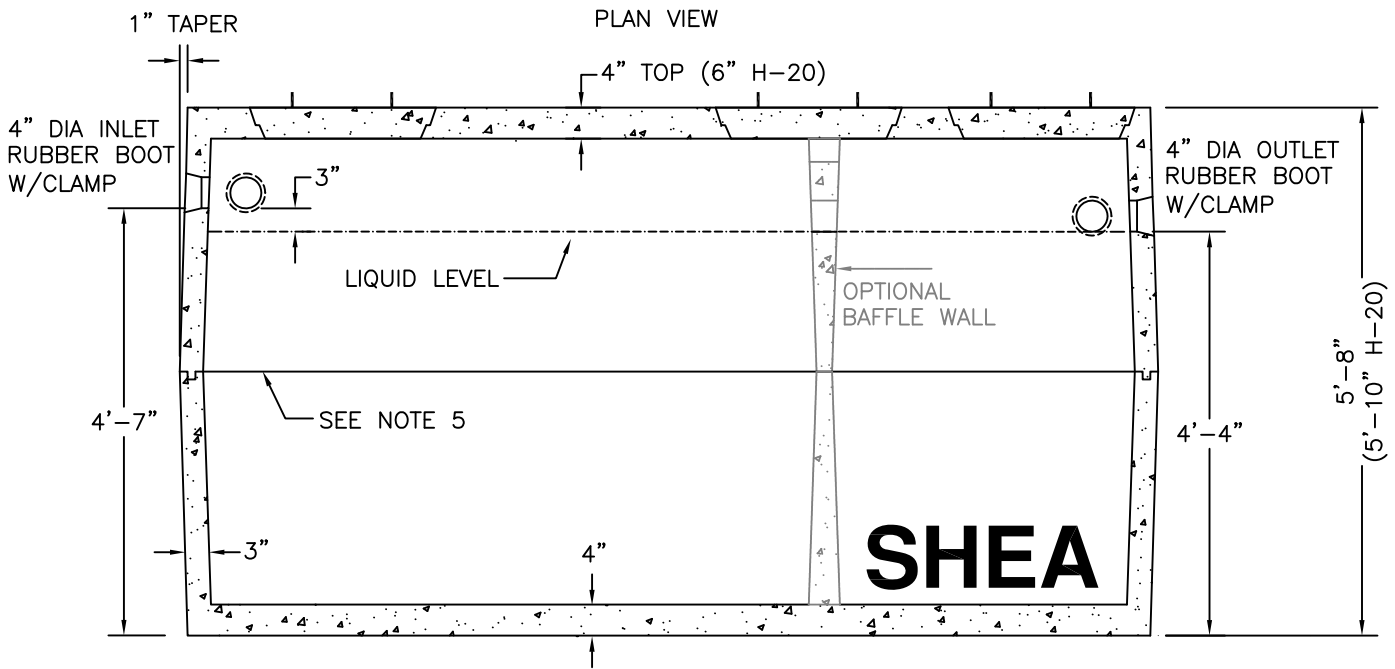
Sincerely,

Project Manager,

END OF ADDENDUM one



PLAN VIEW



SECTION VIEW

NOTES:

1. CONCRETE: 4,000 PSI MINIMUM AFTER 28 DAYS.
2. DESIGN CONFORMS WITH 310 CMR 15.00, DEP TITLE 5 REGS, FOR SEPTIC TANKS.
3. ALL REINFORCEMENT PER ASTM C1227.
4. BAFFLE WALL OPTIONAL FOR TWO COMPARTMENT TANKS.
5. TEES AND GAS BAFFLE SOLD SEPARATELY.
6. TONGUE & GROOVE JOINT SEALED WITH BUTYL RESIN.
7. ALSO AVAILABLE IN H-20 LOADING.

		WEIGHT
ITEM NO.	TK-1500 STANDARD	11,670#
	TK-1500H H-20	13,135#
	TK-15002C STANDARD	12,930#
	TK-15002CH H-20	14,395#



New England's Premier Precaster
 800-696-7432 (SHEA)
 www.sheaconcrete.com

SEPTIC TANK
 1500 GALLON

773 Salem Street-Wilmington, MA 153 Cranberry Hwy-Rochester, MA
 87 Haverhill Road-Amesbury, MA 160 Old Turnpike Rd-Nottingham, NH
 Mail to: PO Box 520-Wilmington, MA 01887

Page: B1.4

tk1500.dwg

02/01/2013

